

To our customers,

---

## Old Company Name in Catalogs and Other Documents

---

On April 1<sup>st</sup>, 2010, NEC Electronics Corporation merged with Renesas Technology Corporation, and Renesas Electronics Corporation took over all the business of both companies. Therefore, although the old company name remains in this document, it is a valid Renesas Electronics document. We appreciate your understanding.

Renesas Electronics website: <http://www.renesas.com>

April 1<sup>st</sup>, 2010  
Renesas Electronics Corporation

Issued by: Renesas Electronics Corporation (<http://www.renesas.com>)

Send any inquiries to <http://www.renesas.com/inquiry>.

## Notice

1. All information included in this document is current as of the date this document is issued. Such information, however, is subject to change without any prior notice. Before purchasing or using any Renesas Electronics products listed herein, please confirm the latest product information with a Renesas Electronics sales office. Also, please pay regular and careful attention to additional and different information to be disclosed by Renesas Electronics such as that disclosed through our website.
2. Renesas Electronics does not assume any liability for infringement of patents, copyrights, or other intellectual property rights of third parties by or arising from the use of Renesas Electronics products or technical information described in this document. No license, express, implied or otherwise, is granted hereby under any patents, copyrights or other intellectual property rights of Renesas Electronics or others.
3. You should not alter, modify, copy, or otherwise misappropriate any Renesas Electronics product, whether in whole or in part.
4. Descriptions of circuits, software and other related information in this document are provided only to illustrate the operation of semiconductor products and application examples. You are fully responsible for the incorporation of these circuits, software, and information in the design of your equipment. Renesas Electronics assumes no responsibility for any losses incurred by you or third parties arising from the use of these circuits, software, or information.
5. When exporting the products or technology described in this document, you should comply with the applicable export control laws and regulations and follow the procedures required by such laws and regulations. You should not use Renesas Electronics products or the technology described in this document for any purpose relating to military applications or use by the military, including but not limited to the development of weapons of mass destruction. Renesas Electronics products and technology may not be used for or incorporated into any products or systems whose manufacture, use, or sale is prohibited under any applicable domestic or foreign laws or regulations.
6. Renesas Electronics has used reasonable care in preparing the information included in this document, but Renesas Electronics does not warrant that such information is error free. Renesas Electronics assumes no liability whatsoever for any damages incurred by you resulting from errors in or omissions from the information included herein.
7. Renesas Electronics products are classified according to the following three quality grades: “Standard”, “High Quality”, and “Specific”. The recommended applications for each Renesas Electronics product depends on the product’s quality grade, as indicated below. You must check the quality grade of each Renesas Electronics product before using it in a particular application. You may not use any Renesas Electronics product for any application categorized as “Specific” without the prior written consent of Renesas Electronics. Further, you may not use any Renesas Electronics product for any application for which it is not intended without the prior written consent of Renesas Electronics. Renesas Electronics shall not be in any way liable for any damages or losses incurred by you or third parties arising from the use of any Renesas Electronics product for an application categorized as “Specific” or for which the product is not intended where you have failed to obtain the prior written consent of Renesas Electronics. The quality grade of each Renesas Electronics product is “Standard” unless otherwise expressly specified in a Renesas Electronics data sheets or data books, etc.
  - “Standard”: Computers; office equipment; communications equipment; test and measurement equipment; audio and visual equipment; home electronic appliances; machine tools; personal electronic equipment; and industrial robots.
  - “High Quality”: Transportation equipment (automobiles, trains, ships, etc.); traffic control systems; anti-disaster systems; anti-crime systems; safety equipment; and medical equipment not specifically designed for life support.
  - “Specific”: Aircraft; aerospace equipment; submersible repeaters; nuclear reactor control systems; medical equipment or systems for life support (e.g. artificial life support devices or systems), surgical implantations, or healthcare intervention (e.g. excision, etc.), and any other applications or purposes that pose a direct threat to human life.
8. You should use the Renesas Electronics products described in this document within the range specified by Renesas Electronics, especially with respect to the maximum rating, operating supply voltage range, movement power voltage range, heat radiation characteristics, installation and other product characteristics. Renesas Electronics shall have no liability for malfunctions or damages arising out of the use of Renesas Electronics products beyond such specified ranges.
9. Although Renesas Electronics endeavors to improve the quality and reliability of its products, semiconductor products have specific characteristics such as the occurrence of failure at a certain rate and malfunctions under certain use conditions. Further, Renesas Electronics products are not subject to radiation resistance design. Please be sure to implement safety measures to guard them against the possibility of physical injury, and injury or damage caused by fire in the event of the failure of a Renesas Electronics product, such as safety design for hardware and software including but not limited to redundancy, fire control and malfunction prevention, appropriate treatment for aging degradation or any other appropriate measures. Because the evaluation of microcomputer software alone is very difficult, please evaluate the safety of the final products or system manufactured by you.
10. Please contact a Renesas Electronics sales office for details as to environmental matters such as the environmental compatibility of each Renesas Electronics product. Please use Renesas Electronics products in compliance with all applicable laws and regulations that regulate the inclusion or use of controlled substances, including without limitation, the EU RoHS Directive. Renesas Electronics assumes no liability for damages or losses occurring as a result of your noncompliance with applicable laws and regulations.
11. This document may not be reproduced or duplicated, in any form, in whole or in part, without prior written consent of Renesas Electronics.
12. Please contact a Renesas Electronics sales office if you have any questions regarding the information contained in this document or Renesas Electronics products, or if you have any other inquiries.

(Note 1) “Renesas Electronics” as used in this document means Renesas Electronics Corporation and also includes its majority-owned subsidiaries.

(Note 2) “Renesas Electronics product(s)” means any product developed or manufactured by or for Renesas Electronics.

**MOS INTEGRATED CIRCUIT**
**μPD703223, μPD703224  
μPD703225, μPD703226**
**V850ES/GB1™ VENUS  
32-/16-bit Single-Chip Microcontroller with CAN Interface**
**DESCRIPTION**

The V850ES/GB1 VENUS single chip microcontroller is a member of NEC's V850 32-bit RISC family, which match the performance gains attainable with RISC-based controllers to the needs of embedded control applications. The V850 CPU offers easy pipeline handling and programming, resulting in compact code size comparable to 16-bit CISC CPUs.

The V850ES/GB1 offers an excellent combination of general purpose peripheral functions, like serial communication interfaces (UART, clocked SI), timers and measurement inputs (A/D converter), with dedicated CAN network support. The device offers power-saving modes to manage the power consumption effectively under varying conditions. Thus equipped, the V850ES/GB1 VENUS is ideally suited for automotive applications.

**FEATURES**

- 32-bit RISC CPU with Harvard Architecture
- Internal ROM: 128 KB
- Internal RAM: 6 KB
- CAN Interface: 1 channel (DCAN)
- Serial Interfaces: 4 channels
  - 3-wire mode: 2 channels
  - UART mode: 2 channels (LIN compatible)
- Timers: 7 channels
  - 16-bit dual time-base timer: 1 channel
  - 16-bit capture/compare timer: 1 channel
  - 8-bit multi purpose timer: 3 channels
  - Watch timer: 1 channel
  - Watchdog timer: 1 channel
- 10-bit resolution A/D Converter: 12 channels
- I/O lines: 84
- Power supply voltage range: +4.0 V to +5.5 V
- Frequency range:
  - Main: 8 MHz to 16 MHz
  - Crystal Sub clock: 32.768 kHz (μPD703224)
  - RC sub clock: 40 to 100 kHz (μPD703226)
- Built-in low power saving mode:
  - Halt, Watch, Stop
- Temperature range:
  - -40°C to +85°C
  - μPD703223(A), μPD703224(A), μPD703225(A), μPD703226(A)
- Package:
  - 100 LQFP, 0.5 mm pin-pitch (14 × 14 mm)

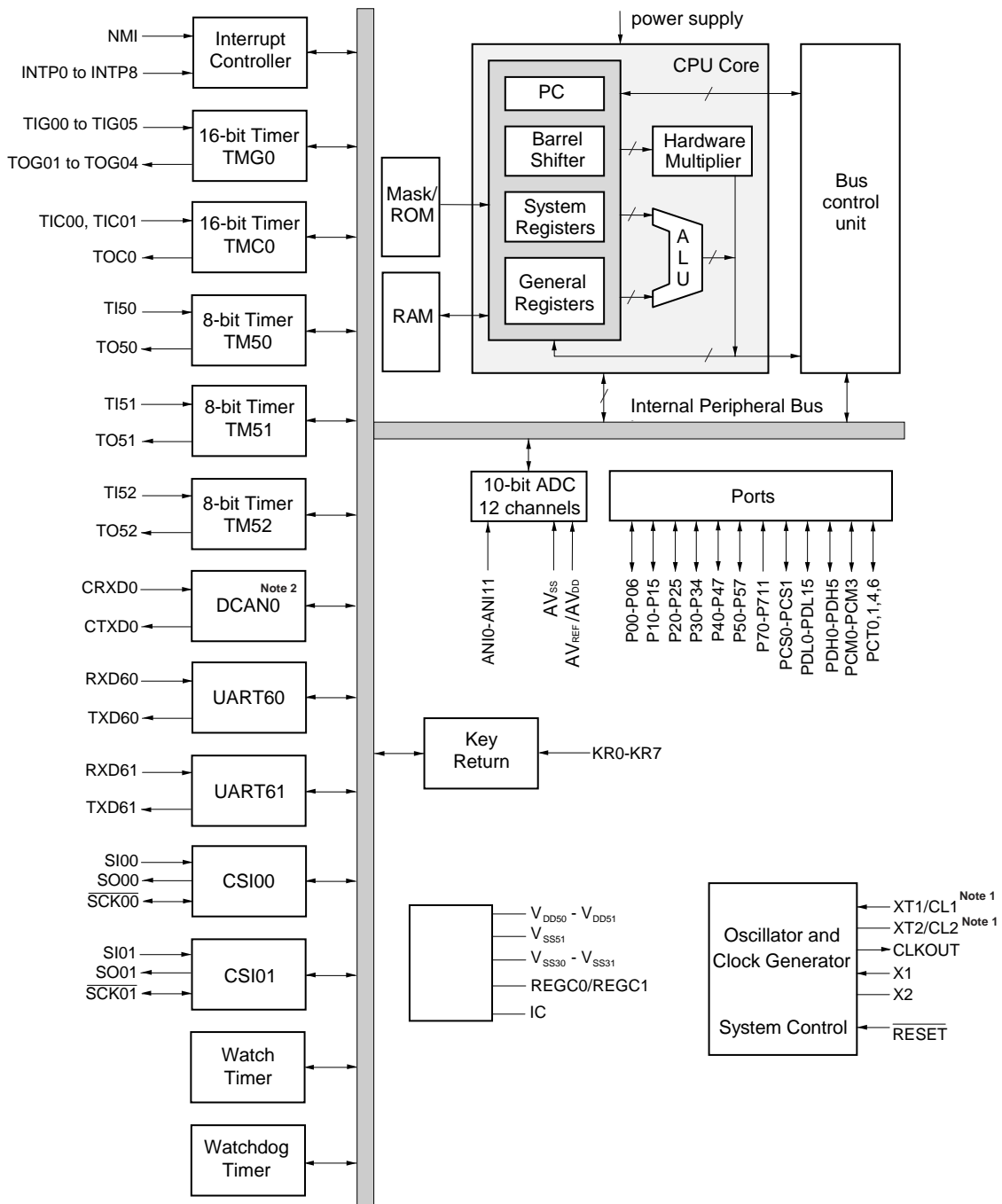
**ORDERING INFORMATION**

Device	Part Number	Package	Mask ROM	RAM	Sub Clock
V850ES/GB1	μPD703223GC(A)-8EU	LQFP100 14 × 14 mm	96 KB	4 KB	Crystal
	μPD703224GC(A)-8EU		128 KB	6 KB	
	μPD703225GC(A)-8EU		96 KB	4 KB	RC
	μPD703226GC(A)-8EU		128 KB	6 KB	

The information in this document is subject to change without notice. Before using this document, please confirm that this is the latest version.

Not all products and/or types are available in every country. Please check with an NEC Electronics sales representative for availability and additional information.

INTERNAL BLOCK DIAGRAM



**Notes: 1.** μPD703223, μPD703224: XT1,XT2,  
μPD703225, μPD703226: CL1,CL2

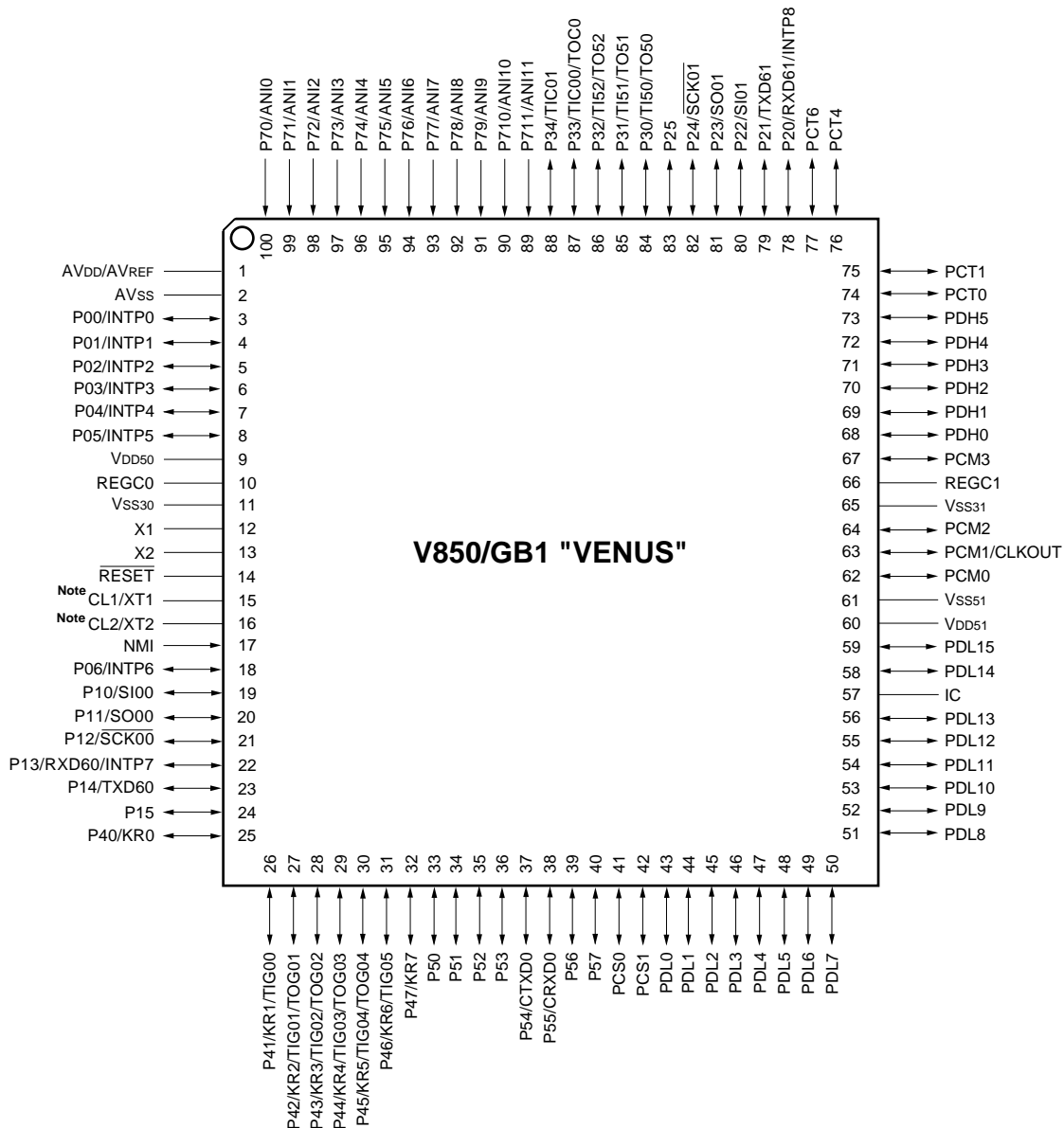
**2.** The CAN macro of this device fulfils the requirements according ISO 11898. Additionally the CAN macro was tested according to the test procedures required by ISO 16845. The CAN macro successfully passed all test patterns. Beyond these test patterns, other tests like robustness tests and processor interface tests as recommended by C&S/FH Wolfenbuettel have successfully been issued.

**PIN IDENTIFICATION**

ANI0 to ANI11	Analog Input	$\overline{\text{RESET}}$	Reset Input
AV <sub>DD</sub> /AV <sub>REF</sub>	Analog Power Supply	RXD60, RXD61	UART Receive Data
AV <sub>SS</sub>	Analog Ground	$\overline{\text{SCK00}}, \overline{\text{SCK01}}$	Synchronous Interface Clock
CLKOUT	Processor Clock Output	SI00, SI01	Synchronous Interface Input
CRXD0	CAN Receive Data	SO00, SO01	Synchronous Interface Output
CTXD0	CAN Transmit Data	TI50, TI51, TI52	Timer 5 Count Input
INTP0 to INTP8	External Interrupt Input	TIC00, TIC01	Timer C0 Capture Input
NMI	Non-Maskable Interrupt Input	TIG00 to TIG05	Timer G0 Capture Input
P00 to P06	Port 0	TO50, TO51, TO52	Timer 5 Compare Output
P10 to P15	Port 1	TOC0	Timer C0 Compare Output
P20 to P25	Port 2	TOG01 to TOG04	Timer G0 Compare Output
P30 to P34	Port 3	TXD60, TXD61	UART Transmit Data
P40 to P47	Port 4	X1, X2	Main System Clock
P50 to P57	Port 5	XT1, XT2 (CL1, CL2)	Crystal (RC) Sub Clock
P70 to P711	Port 7	REGC0, REGC1	3.3 V Regulator Output
PCS0 to PCS1	Port CS	V <sub>SS30</sub> , V <sub>SS31</sub>	Ground
PCT0, PCT1, PCT4, PCT6	Port CT	V <sub>SS51</sub>	Ground for I/O Buffers
PDH0 to PDH5	Port DH	V <sub>DD50</sub>	Digital Power Supply
PCM0 to PCM3	Port CM	V <sub>DD51</sub>	Power Supply for I/O Buffers
PDL0 to PDL15	Port DL	IC	Internally connected
KR0 to KR7	Key Return Inputs		

PIN CONFIGURATION

- 100-Pin Plastic LQFP (fine pitch) (14 mm × 14 mm) (Top View)



**Note:** μPD703223, μPD703224: XT1,XT2,  
μPD703225, μPD703226: CL1,CL2

**Table of Contents**

<b>1.</b>	<b>Pin Functions</b> .....	<b>9</b>
1.1	Pin Functions .....	9
1.2	I/O Circuits .....	13
1.3	Port Pin .....	14
1.4	Non-Port Pin .....	17
<b>2.</b>	<b>Electrical Specifications</b> .....	<b>18</b>
2.1	Absolute Maximum Ratings .....	18
2.2	General Characteristics .....	19
2.2.1	I/O capacitance .....	19
2.2.2	Main oscillator characteristics .....	19
2.2.3	Sub oscillator characteristics .....	20
2.2.4	Recommended oscillator circuit .....	21
2.3	DC Characteristics .....	23
2.3.1	Supply current .....	24
2.3.2	Data retention characteristics .....	26
2.4	AC Characteristics .....	27
2.4.1	General .....	27
2.4.2	AC test load condition .....	27
2.4.3	Basic operation .....	27
2.4.4	Reset .....	28
2.5	Peripheral Function Characteristics .....	29
2.5.1	Key return timing .....	29
2.5.2	Interrupt timing .....	29
2.5.3	Timer G0 / Timer C0 /Timer 5n .....	30
2.5.4	CSI .....	31
2.5.5	UART .....	32
2.5.6	DCAN .....	32
2.5.7	A/D converter .....	33
2.5.8	Voltage regulator .....	33
<b>3.</b>	<b>Package Drawing</b> .....	<b>34</b>
<b>4.</b>	<b>Recommended Soldering Conditions</b> .....	<b>35</b>

### List of Figures

Figure 1-1:	Input / Output Circuits.....	13
Figure 2-1:	Main Oscillator Recommendations.....	21
Figure 2-2:	Sub Oscillator Recommendations .....	21
Figure 2-3:	RC Oscillator Connection .....	22
Figure 2-4:	Data Retention Timing.....	26
Figure 2-5:	AC Test Input Waveform, AC Test Load Condition .....	27
Figure 2-6:	AC Test Load Condition .....	27
Figure 2-7:	RESET Timing.....	28
Figure 2-8:	Key Return Timing.....	29
Figure 2-9:	Interrupt Timing .....	29
Figure 2-10:	Timer G0 Characteristics.....	30
Figure 2-11:	Timer C0 Characteristics .....	30
Figure 2-12:	Timer 5n Characteristics.....	30
Figure 2-13:	CSI Slave Mode Characteristics.....	32
Figure 3-1:	Package Drawing .....	34



**List of Tables**

Table 1-1:	Pin Functions.....	9
Table 1-2:	Mode of Port Pin After Reset.....	14
Table 1-3:	Non-Port Pin Recommended Connections.....	17
Table 2-1:	Absolute Maximum Ratings.....	18
Table 2-2:	I/O Capacitance.....	19
Table 2-3:	Main Oscillator Characteristics.....	19
Table 2-4:	Crystal Sub Oscillator Characteristics.....	20
Table 2-5:	RC Sub Oscillator Characteristics.....	20
Table 2-6:	DC Characteristics.....	23
Table 2-7:	Power supply current.....	24
Table 2-8:	Power Supply Current.....	25
Table 2-9:	Data Retention Characteristics.....	26
Table 2-10:	Reset Timing.....	27
Table 2-11:	Reset Timing.....	28
Table 2-12:	Key Return Timing.....	29
Table 2-13:	Interrupt Timing.....	29
Table 2-14:	Timer G0 / Timer C0 / Timer 5n Characteristics.....	30
Table 2-15:	CSI Master Mode Characteristics.....	31
Table 2-16:	CSI Slave Mode Characteristics.....	31
Table 2-17:	UART Characteristics.....	32
Table 2-18:	DCAN Characteristics.....	32
Table 2-19:	A/D Converter Characteristics.....	33
Table 2-20:	Voltage regulator.....	33
Table 4-1:	Soldering Conditions.....	35



1. Pin Functions

1.1 Pin Functions

Table 1-1: Pin Functions (1/4)

Pin		Function		I/O	Driver Type	Software Pull Up
No.	Name	Default	Alternate			
1	AV <sub>DD</sub> /AV <sub>REF</sub>	Analog Supply	-	-	-	-
2	AV <sub>SS</sub>	Analog Ground	-	-	-	-
3	P00/INTP0	Port 0: 7-bit input/output port	External interrupt input INTP0	I/O	5-W	X
4	P01/INTP1		External interrupt input INTP1			
5	P02/INTP2		External interrupt input INTP2			
6	P03/INTP3		External interrupt input INTP3			
7	P04/INTP4		External interrupt input INTP4			
8	P05/INTP5		External interrupt input INTP5			
9	V <sub>DD50</sub>	Digital Supply	-	-	-	-
10	REGC0	Internal Voltage Regulator Output	-	-	-	-
11	V <sub>SS30</sub>	Digital Ground	-	-	-	-
12	X1	Main Oscillator Input	-	I	16	-
13	X2	Main Oscillator Output	-	O	16	-
14	RESET	Reset Input	-	I	2	-
15	CL1/XT1	Sub Oscillator Input	-	I	16	-
16	CL2/XT2	Sub Oscillator Output	-	O	16	-
17	NMI	Non-Maskable Interrupt Input	-	I	2	-
18	P06/INTP6	Port 0: 7-bit input/output port	External interrupt input INTP6	I/O	5-W	X
19	P10/SI00	Port 1: 6-bit input/output port	3-wire Serial Link 0 Data Input	I/O	5-W	X
20	P11/SO00		3-wire Serial Link 0 Data Output	I/O	5-A	X
21	P12/SCK00		3-wire Serial Link 0 Clock I/O	I/O	5-W	X
22	P13/RXD60/ INTP7		UART0 Data Input External interrupt input INTP7	I/O	5-W	X
23	P14/TXD60		UART0 Data Output	I/O	5-A	X
24	P15		-	I/O	5-A	X

Table 1-1: Pin Functions (2/4)

Pin		Function		I/O	Driver Type	Software Pull Up
No.	Name	Default	Alternate			
25	P40/KR0	Port 4: 8-bit input/output port	Key Return Input 0	I/O	5-W	X
26	P41/KR1/ TIG00		Key Return Input 1 TimerG0 Capture Trigger 0 TimerG0 Compare Output 0			
27	P42/KR2/ TIG01/TOG01		Key Return Input 2 TimerG0 Capture Trigger 1 TimerG0 Compare Output 1			
28	P43/KR3/ TIG02/TOG02		Key Return Input 3 TimerG0 Capture Trigger 2 TimerG0 Compare Output 2			
29	P44/KR4/ TIG03/TOG03		Key Return Input 4 TimerG0 Capture Trigger 3 TimerG0 Compare Output 3			
30	P45/KR5/ TIG04/TOG04		Key Return Input 5 TimerG0 Capture Trigger 4 TimerG0 Compare Output 4			
31	P46/KR6/ TIG05		Key Return Input 6 TimerG0 Capture Trigger 5			
32	P47/KR7		Key Return Input 7			
33	P50	Port 5: 8-bit input/output port	-	I/O	5-A	X
34	P51		-		5-A	
35	P52		-		5-A	
36	P53		-		5-A	
37	P54/CTXD0		DCAN0 Transmit Data		5-A	
38	P55/CRXD0		DCAN0 Receive Data		5-W	
39	P56		-		5-A	
40	P57		-		5-A	
41	PCS0	Port CS: 2-bit input/output port	-	I/O	5-K	-
42	PCS1		-			
43	PDL0	Port DL: 16-bit input/output port	-	I/O	5-K	-
44	PDL1		-			
45	PDL2		-			
46	PDL3		-			
47	PDL4		-			
48	PDL5		-			
49	PDL6		-			
50	PDL7		-			
51	PDL8		-			
52	PDL9		-			
53	PDL10		-			
54	PDL11		-			
55	PDL12		-			
56	PDL13	-				
57	IC	internally connected	-	-	-	-

Table 1-1: Pin Functions (3/4)

Pin		Function		I/O	Driver Type	Software Pull Up
No.	Name	Default	Alternate			
58	PDL14	Port DL: 16-bit input/output port	-	I/O	5-K	-
59	PDL15		-			
60	V <sub>DD51</sub>	Power Supply I/O Buffers	-	-	-	-
61	V <sub>SS51</sub>	I/O Buffers Ground	-	-	-	-
62	PCM0	Port CM: 4-bit input/output port	-	I/O	5-K	-
63	PCM1/ CLKOUT		CPU Clock Output			
64	PCM2		-			
65	V <sub>SS31</sub>	Digital Ground	-	-	-	-
66	REGC1	Internal Voltage Regulator Output	-	-	-	-
67	PCM3	Port CM: 4-bit input/output port	-	I/O	5-K	-
68	PDH0	Port DH: 6-bit input/output port	-			
69	PDH1		-			
70	PDH2		-			
71	PDH3		-			
72	PDH4		-			
73	PDH5		-			
74	PCT0	Port CT: 4-bit input/output port	-	I/O	5-K	-
75	PCT1		-			
76	PCT4		-			
77	PCT6		-			
78	P20/RXD61/ INTP8	Port 2: 6-bit input/output port	UART1 Data Input External interrupt input INTP8	I/O	5-W	X
79	P21/TXD61		UART1 Data Output		5-A	
80	P22/SI01		3-wire Serial Link 1 Data Input		5-W	
81	P23/SO01		3-wire Serial Link 1 Data Output		5-A	
82	P24/SCK01		3-wire Serial Link 1 Clock I/O		5-W	
83	P25		-		5-A	
84	P30/TI50/ TO50	Port 3: 5-bit input/output port	8-bit Timer 50 External Clock Input / PWM Output	I/O	5-W	X
85	P31/TI51/ TO51		8-bit Timer 51 External Clock Input / PWM Output			
86	P32/TI52/ TO52		8-bit Timer 52 External Clock Input / PWM Output			
87	P33/TIC00/ TOC0		16 bits TimerC0 Capture Trigger 0 / Compare Output 0			
88	P34/TIC01		16 bits TimerC0 Capture Trigger 1			

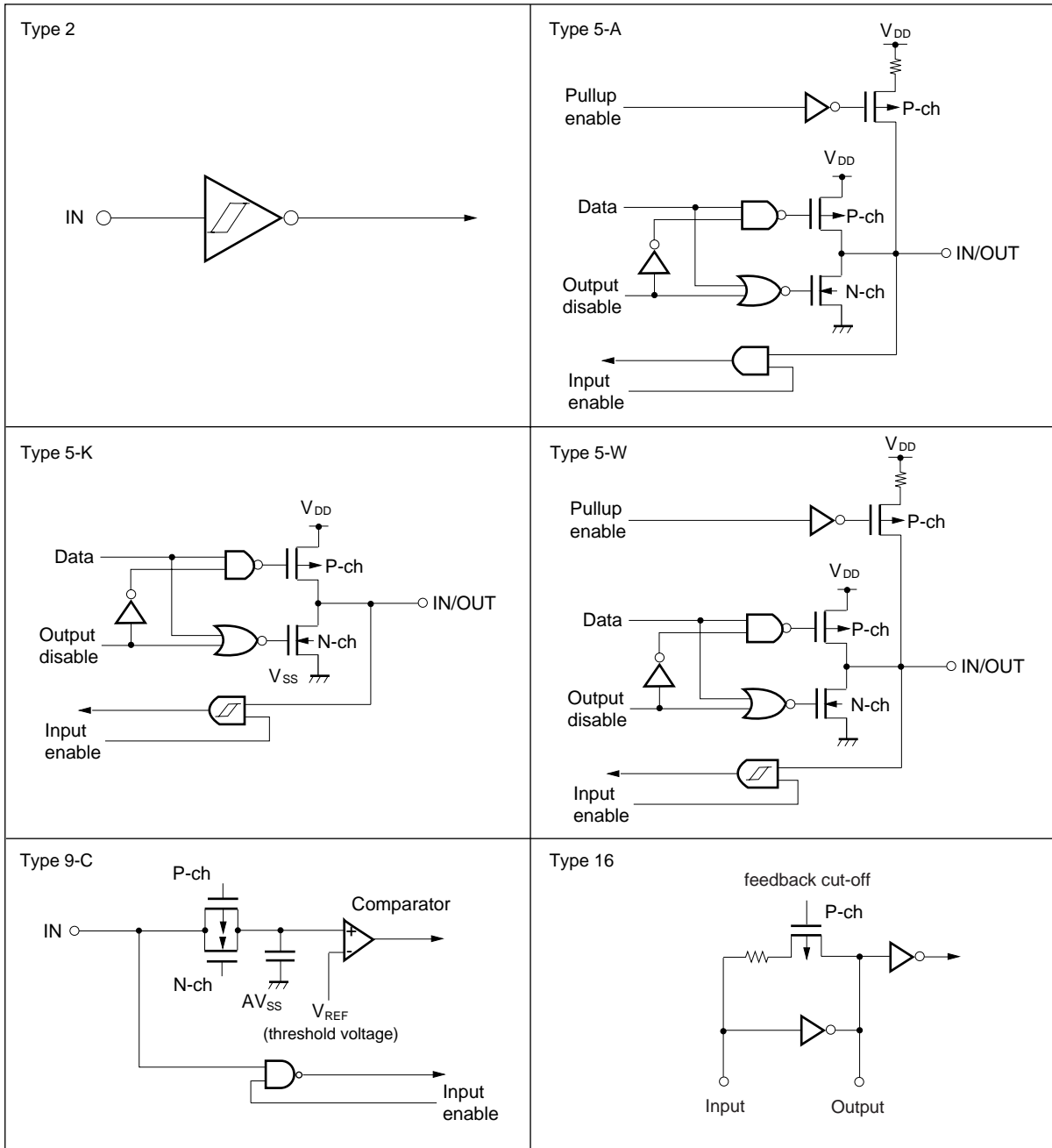
Table 1-1: Pin Functions (4/4)

Pin		Function		I/O	Driver Type	Software Pull Up
No.	Name	Default	Alternate			
89	P711/ANI11	Port 7: 12-bit input port	ANI11	I	9-C	-
90	P710/ANI10		ANI12			
91	P79/ANI9		ANI9			
92	P78/ANI8		ANI8			
93	P77/ANI7		ANI7			
94	P76/ANI6		ANI7			
95	P75/ANI5		ANI6			
96	P74/ANI4		ANI5			
97	P73/ANI3		ANI3			
98	P72/ANI2		ANI2			
99	P71/ANI1		ANI1			
100	P70/ANI0		ANI0			

**Caution:** REGC0 and REGC1 have to be connected to each other and the capacitors on REGC0 and REGC1 have to be attached as tight as possible to the pins

1.2 I/O Circuits

Figure 1-1: Input / Output Circuits



1.3 Port Pin

Table 1-2: Mode of Port Pin After Reset (1/3)

Port Name	Pin Name	Pin Function after Reset Single Chip Mode	If not used
PNMI	NMI	NMI	Independently connect to V <sub>SS51</sub> or V <sub>DD51</sub> via resistor
P0	P00/INTP0	Port Mode (input mode)	Input: Independently connect to V <sub>SS51</sub> or V <sub>DD51</sub> via resistor  Output: leave open
	P01/INTP1		
	P02/INTP2		
	P03/INTP3		
	P04/INPT4		
	P05/INPT5		
	P06/INPT6		
P1	P10/SI00	Port Mode (input mode)	Input: Independently connect to V <sub>SS51</sub> or V <sub>DD51</sub> via resistor  Output: leave open
	P11/SO00		
	P12/SCK00		
	P13/INTP7/RXD60		
	P14/TXD60		
	P15		
P2	P20/INTP8/RXD61	Port Mode (input mode)	Input: Independently connect to V <sub>SS51</sub> or V <sub>DD51</sub> via resistor  Output: leave open
	P21/TXD61		
	P22/SIO01		
	P23/SO01		
	P24/SCK01		
	P25		
P3	P30/TI50/TO50	Port Mode (input mode)	Input: Independently connect to V <sub>SS51</sub> or V <sub>DD51</sub> via resistor  Output: leave open
	P31/TI51/TO51		
	P32/TI52/TO52		
	P33/TIC00/TOC0		
	P34/TIC01		
P4	P40/KR0	Port Mode (input mode)	Input: Independently connect to V <sub>SS51</sub> or V <sub>DD51</sub> via resistor  Output: leave open
	P41/KR1/TIG00		
	P42/KR2/TIG01/TOG01		
	P43/KR3/TIG02/TOG02		
	P44/KR4/TIG03/TOG03		
	P45/KR5/TIG04/TOG04		
	P46/KR6/TIG05		
	P47/KR7		



Table 1-2: Mode of Port Pin After Reset (2/3)

Port Name	Pin Name	Pin Function after Reset Single Chip Mode	If not used
P5	P50	Port Mode (input mode)	Input: Independently connect to $V_{SS51}$ or $V_{DD51}$ via resistor  Output: leave open
	P51		
	P52		
	P53		
	P54/CTXD0		
	P55/CRCDO		
	P56		
	P57		
P7	P70/ANI0	Port Mode (input mode)	Independently connect to $AV_{SS}$ or $AV_{DD}$ via resistor
	P71/ANI1		
	P72/ANI2		
	P73/ANI3		
	P74/ANI4		
	P75/ANI5		
	P76/ANI6		
	P77/ANI7		
	P78/ANI8		
	P79/ANI9		
	P710/ANI10		
	P711/ANI11		
PCS	PCS0	Port Mode (input mode)	Input: Independently connect to $V_{SS51}$ or $V_{DD51}$ via resistor Output: leave open
	PCS1		
PCT	PC0	Port Mode (input mode)	Input: Independently connect to $V_{SS51}$ or $V_{DD51}$ via resistor  Output: leave open
	PC1		
	PC4		
	PC6		
PDH	PDH0	Port Mode (input mode)	Input: Independently connect to $V_{SS51}$ or $V_{DD51}$ via resistor  Output: leave open
	PDH1		
	PDH2		
	PDH3		
	PDH4		
	PDH5		
PCM	PCM0	Port Mode (input mode)	Input: Independently connect to $V_{SS51}$ or $V_{DD51}$ via resistor  Output: leave open
	PCM1		
	PCM2		
	PCM3		

Table 1-2: Mode of Port Pin After Reset (3/3)

Port Name	Pin Name	Pin Function after Reset Single Chip Mode	If not used
PDL	PDL0	Port Mode (input mode)	Input: Independently connect to $V_{SS51}$ or $V_{DD51}$ via resistor  Output: leave open
	PDL1		
	PDL2		
	PDL3		
	PDL4		
	PDL5		
	PDL6		
	PDL7		
	PDL8		
	PDL9		
	PDL10		
	PDL11		
	PDL12		
	PDL13		
	PDL14		
PDL15			

**1.4 Non-Port Pin**

**Table 1-3: Non-Port Pin Recommended Connections**

Pin Number	Pin name	Connection for normal operation	if not used
1	AV <sub>DD</sub>	Analog power supply	Connect to V <sub>DD51</sub>
2	AV <sub>SS</sub>	Analog Ground	Connect to V <sub>SS51</sub>
9	V <sub>DD50</sub>	5.0 V Power supply	-
10	REGC0	Connect an 1 μF capacitor between this pin and Ground	-
11	V <sub>SS30</sub>	Digital Ground	-
12	X1	Refer to 2.2.4 for recommended circuit	-
13	X2		-
14	RESET	Reset input	-
15	XT1	Refer to 2.2.4 for recommended circuit	Connect to V <sub>SS30</sub> or V <sub>SS31</sub> via resistor
16	XT2		Leave open
57	IC	Connect to Ground	-
60	V <sub>DD51</sub>	I/O Buffers power supply	
61	V <sub>SS51</sub>	I/O Buffers Ground	
65	V <sub>SS31</sub>	Digital ground	
66	REGC1	Connect an 1 μF capacitor between this pin and Ground	

**Caution:** REGC0 and REGC1 have to be connected to each other and the capacitors on REGC0 and REGC1 have to be attached as tight as possible to the pins

## 2. Electrical Specifications

### 2.1 Absolute Maximum Ratings

T<sub>A</sub> = 25°C, V<sub>SS51</sub> = 0 V

Table 2-1: Absolute Maximum Ratings

Parameter	Symbol	Conditions		Ratings	Unit
Supply voltage	V <sub>DD50</sub> , V <sub>DD51</sub>	V <sub>DD50</sub> = V <sub>DD51</sub>		-0.5 ~ +6.0	V
	A <sub>VDD</sub>	A <sub>VDD</sub> ≤ V <sub>DD5x</sub> + 0.5 V		-0.5 ~ +6.0	
	V <sub>SS30</sub> , V <sub>SS31</sub>	V <sub>SS30</sub> = V <sub>SS31</sub>		-0.5 ~ +0.5	
	A <sub>VSS</sub>			-0.5 ~ +0.5	
Input voltage	V <sub>I</sub>	V <sub>I</sub> < V <sub>DD51</sub> + 0.5 V	All port pins <sup>Note 1</sup> , NMI, RESET	-0.5 ~ +6.0	
Analog Input Voltage	V <sub>IAN</sub>	V <sub>IAN</sub> < A <sub>VDD</sub> + 0.5 V		-0.5 ~ +6.0	
Low Level Output current <sup>Note 1</sup>	I <sub>OL</sub>	All port pins <sup>Note 1</sup>	1 pin	4.0	mA
			All pins	50	
High Level Output current <sup>Note 1</sup>	I <sub>OH</sub>	All port pins <sup>Note 1</sup>	1 pin	-4.0	
			All pins	-50	
Output Voltage	V <sub>O1</sub>	V <sub>O1</sub> < V <sub>DD51</sub> + 0.5 V		-0.5 ~ +6.0	V
Operating temperature	T <sub>A</sub>			-40 ~ +85	°C
Storage temperature	T <sub>STGA</sub>			-65 ~ +150	

Remarks: 1. x = 0, 1

- The characteristics of the dual-functions pins are the same as those of the port pins unless otherwise specified.

Note: All Ports pins are P0, P1, P2, P3, P4, P5, P7, PCS, PCT, PDH, PCM, PDL.

Cautions: 1. Avoid direct connections among the IC device output (or I/O) pins and between V<sub>DD</sub> or V<sub>CC</sub> and GND.

- Product quality may suffer if the absolute maximum rating is exceeded even momentarily for any parameter. That is, the absolute maximum ratings are rated values at which the product is on the verge of suffering physical damage, and therefore the product must be used under conditions that ensure that the absolute maximum ratings are not exceeded. The ratings and conditions indicated for DC characteristics and AC characteristics represent the quality assurance range during normal operation.

2.2 General Characteristics

2.2.1 I/O capacitance

T<sub>A</sub> = 25°C, V<sub>DD50</sub> = V<sub>DD51</sub> = V<sub>SS51</sub> = V<sub>SS30</sub> = V<sub>SS31</sub> = AV<sub>DD</sub> = AV<sub>SS</sub> = 0 V

Table 2-2: I/O Capacitance

Parameter	Symbol	Test Conditions	MIN.	TYP.	MAX.	Unit
Input capacitance	C <sub>I</sub>	f <sub>C</sub> = 1 MHz Unmeasured pins returned to 0 V			15	pF
Input/output capacitance	C <sub>IO</sub>				15	pF
Output capacitance	C <sub>O</sub>				15	pF

2.2.2 Main oscillator characteristics

T<sub>A</sub> = -40°C to +85°C, V<sub>DD50</sub> = V<sub>DD51</sub> = AV<sub>DD</sub> = 4.0 V ~ 5.5 V, V<sub>SS30</sub> = V<sub>SS31</sub> = V<sub>SS51</sub> = AV<sub>SS</sub> = 0 V

Table 2-3: Main Oscillator Characteristics

Parameter	Symbol	Conditions	MIN.	TYP.	MAX.	Unit
Main oscillator frequency	f <sub>XX</sub>	Note 1	8		16	MHz
Oscillation stabilization time Note 2, 3	T <sub>OST</sub>	After Reset Note 4		2 <sup>17</sup> /f <sub>XX</sub>		ms
		After Stop mode Note 4	2	Note 5		ms
		After Watch mode Note 6	100	Note 5		μs

- Notes:**
1. Indicates only the oscillation circuit characteristics. Refer to “AC Characteristic” for CPU operation clock.
  2. Time, which is required for internal stabilization. The OSTS register has to be set to a time, which is longer than above defined values, before entering either WATCH or STOP mode.
  3. After V<sub>DD5X</sub> reaches oscillator voltage range MIN. 4.0 V
  4. Start-up time of external crystal or resonator is not included and must be checked with resonator supplier.
  5. Typical value differs depending on settings of the Oscillation Stabilization Time Selection register (OSTS)
  6. To release watch mode, minimum 10-clock cycles time is required. If sub clock is used to recover from watch mode, minimum time for watch mode release is determined by this 10-clock cycles.

2.2.3 Sub oscillator characteristics

(1) Crystal sub oscillator

T<sub>A</sub> = -40°C to +85°C, V<sub>DD50</sub> = V<sub>DD51</sub> = AV<sub>DD</sub> = 4.0 V ~ 5.5 V, V<sub>SS30</sub> = V<sub>SS31</sub> = V<sub>SS51</sub> = AV<sub>SS</sub> = 0 V

Table 2-4: Crystal Sub Oscillator Characteristics

Parameter	Symbol	Test Conditions	MIN.	TYP.	MAX.	Unit
Sub oscillator frequency	f <sub>XT</sub>			32.768		kHz
Oscillation stabilization time	T <sub>SOST</sub>			10 <sup>Note</sup>		s

**Note:** Start-up time of external crystal must be checked with resonator supplier.

(2) RC sub oscillator

T<sub>A</sub> = -40°C to +85°C, V<sub>DD50</sub> = V<sub>DD51</sub> = AV<sub>DD</sub> = 4.0 V ~ 5.5 V, V<sub>SS30</sub> = V<sub>SS31</sub> = V<sub>SS51</sub> = AV<sub>SS</sub> = 0 V)

Table 2-5: RC Sub Oscillator Characteristics

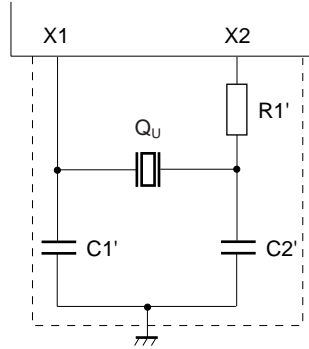
Parameter	Symbol	Test Conditions	MIN.	TYP.	MAX.	Unit
Sub oscillator frequency	f <sub>XT</sub>	R = 500 kΩ, C = 33 pF		40	100	kHz

2.2.4 Recommended oscillator circuit

(1) Recommended Main system clock oscillator circuit

(a) Ceramic resonator or crystal resonator connection

Figure 2-1: Main Oscillator Recommendations

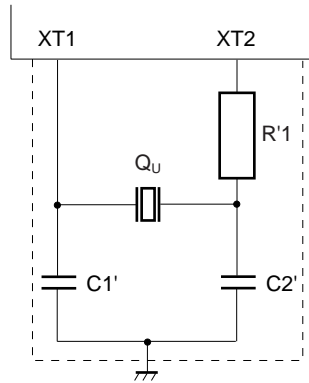


**Remark:** Values of capacitors C1', C2' and R1' depend on used resonator and must be specified in cooperation with the manufacturer.

(2) Recommended subsystem clock oscillator circuit

(a) Ceramic resonator or crystal resonator connection:  $\mu$ PD703223 (A),  $\mu$ PD703224 (A)

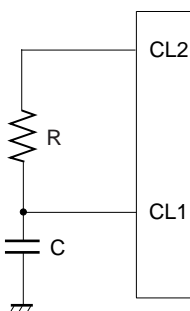
Figure 2-2: Sub Oscillator Recommendations



**Remark:** Values of capacitors C1', C2' and resistors R1' depend on used resonator and must be specified in cooperation with the manufacturer.

(b) RC Oscillator connection: μPD703225 (A), μPD703226 (A)

Figure 2-3: RC Oscillator Connection



- Cautions:**
1. External clock to main clock or subsystem clock oscillator input is prohibited.
  2. When using the main system clock or the sub system clock oscillator, wire as follows in the area enclosed by the broken lines in the above figures to avoid an adverse effect from wiring capacitance.
    - Keep the wiring length as short as possible.
    - Do not cross the wiring with the other signal lines.
    - Do not route the wiring near a signal line through which a high fluctuating current flows.
    - Always make the ground point of the oscillator capacitor the same potential as  $V_{SS}$ .
    - Do not ground the capacitor to a ground pattern through which a high current flows.
    - Do not fetch signals from the oscillator.



2.3 DC Characteristics

T<sub>A</sub> = -40°C to +85°C, V<sub>DD50</sub> = V<sub>DD51</sub> = AV<sub>DD</sub> = 4.0 V ~ 5.5 V, V<sub>SS30</sub> = V<sub>SS31</sub> = V<sub>SS51</sub> = AV<sub>SS</sub> = 0 V

Table 2-6: DC Characteristics

Parameter		Symbol	Test Conditions	MIN.	TYP.	MAX.	Unit
High level Input Voltage	P11, P14-P15, P21, P23, P25, P50-P54, P56-P57	V <sub>IH1</sub>		0.7 V <sub>DD51</sub>		V <sub>DD51</sub>	V
	P00-P06, P10, P12-P13, P20, P22, P24, P30-P34, PDL0-PDL15, PCM0-PCM3, PDH0-PDH5, PCT0, PCT1, PCT4, PCT6, NMI	V <sub>IH2</sub>		0.8 V <sub>DD51</sub>		V <sub>DD51</sub>	
	P70-P711 <sup>Note</sup>	V <sub>IH3</sub>		0.7 AV <sub>DD</sub>		AV <sub>DD</sub>	
	RESET	V <sub>IH4</sub>		0.8 V <sub>DD51</sub>		V <sub>DD51</sub>	
Low level Input voltage	P11, P14-P15, P21, P23, P25, P50-P54, P56-P57	V <sub>IL1</sub>		V <sub>SS51</sub>		0.3 V <sub>DD51</sub>	
	P00-P06, P10, P12-P13, P20, P22, P24, P30-P34, PDL0-PDL15, PCM0-PCM3, PDH0-PDH5, PCT0, PCT1, PCT4, PCT6, NMI	V <sub>IL2</sub>		V <sub>SS51</sub>		0.2 V <sub>DD51</sub>	
	P70-P711 <sup>Note</sup>	V <sub>IL3</sub>		0		0.3 AV <sub>DD</sub>	
	RESET	V <sub>IL4</sub>		V <sub>SS51</sub>		0.2 V <sub>DD51</sub>	
High Level Output Voltage		V <sub>OH1</sub>	I <sub>OH</sub> = -2.0 mA	V <sub>DD51</sub> - 1.0 V		V <sub>DD51</sub>	
			I <sub>OH</sub> = -100 μA	V <sub>DD51</sub> - 0.5 V		V <sub>DD51</sub>	
Low Level Output Voltage		V <sub>OL1</sub>	I <sub>OL</sub> = 2.0 mA			0.4	
			I <sub>OL</sub> = 100 μA			0.2	
Input leakage current, high	except for X1, X2, XT1, XT2	I <sub>LIH1</sub>	V <sub>I</sub> = V <sub>DD51</sub>		0.3	3	μA
Input leakage current, low	except for X1, X2, XT1, XT2	I <sub>LIL1</sub>	V <sub>I</sub> = 0 V		-0.3	-3	
Software Pull-up resistor	P0, P1, P2, P3, P4, P5	R1		10	30	100	kΩ

**Note:** Can only be used as digital input port when AV<sub>DD</sub> = V<sub>DD5x</sub>

2.3.1 Supply current

(1) μPD703223 (A), μPD703224 (A)

$T_A = -40^{\circ}\text{C to } +85^{\circ}\text{C}$ ,  $V_{DD50} = V_{DD51} = AV_{DD} = 4.0\text{ V} \sim 5.5\text{ V}$ ,  $V_{SS51} = V_{SS30} = V_{SS31} = AV_{SS} = 0\text{ V}$   
 $f_{XX} = 16\text{ MHz}$ ,  $f_{XT} = 32.768\text{ kHz}$

Table 2-7: Power supply current

Parameter	Symbol	Test Conditions	MIN.	TYP.	MAX.	Unit
Power Supply Current <b>Note 1</b> μPD703223(A) μPD703224(A)	I <sub>DD1</sub>	Operating <b>Note 2</b>		30	45	mA
	I <sub>DD2</sub>	HALT mode <b>Note 3</b>		20	30	
	I <sub>DD3</sub>	WATCH mode <b>Note 4</b>		1.5	2.3	
	I <sub>DD4</sub>	STOP mode <b>Note 5</b>		50	120	μA
	I <sub>DD5</sub>	Sub Operating <b>Note 6</b>		125	250	
	I <sub>DD6</sub>	Sub HALT mode <b>Note 7</b>		75	150	
	I <sub>DD7</sub>	Sub WATCH mode <b>Note 8</b>		75	150	

- Notes:**
1.  $AV_{DD}/AV_{REF}$  current, port current (including a current flowing through the on-chip pull-up resistors) are not included.
  2. CPU operating at maximum frequency (PCC = 0x00H), peripheral functions operating at maximum frequency (excepted DCAN0).
  3. CPU stopped, peripheral functions operating at maximum frequency (excepted DCAN0).
  4. CPU stopped, all peripheral functions stopped (Watch timer and Watchdog timer operating on subclock).
  5. Subclock not connected.
  6. CPU operating on subclock, main system clock oscillator stopped, all peripheral functions stopped, (Watch timer and Watchdog timer operating on subclock).
  7. CPU stopped, main system clock oscillator stopped, all peripheral functions stopped (Watch timer and Watchdog timer operating on subclock).
  8. CPU stopped, main system clock oscillator stopped, all peripheral functions stopped (Watch timer and Watchdog timer operating on subclock).

(2) μPD703225 (A), μPD703226 (A)

T<sub>A</sub> = -40°C to +85°C, V<sub>DD50</sub> = V<sub>DD51</sub> = AV<sub>DD</sub> = 4.0 V ~ 5.5 V, V<sub>SS51</sub> = V<sub>SS30</sub> = V<sub>SS31</sub> = AV<sub>SS</sub> = 0 V  
 f<sub>XX</sub> = 16 MHz, f<sub>XT</sub> = 32 kHz

Table 2-8: Power Supply Current

Parameter	Symbol	Test Conditions	MIN.	TYP.	MAX.	Unit
Power Supply Current <b>Note 1</b> μPD703225(A) μPD703226(A)	I <sub>DD1</sub>	Operating <b>Note 2</b>		30	45	mA
	I <sub>DD2</sub>	HALT mode <b>Note 3</b>		20	30	
	I <sub>DD3</sub>	WATCH mode <b>Note 4</b>		1.5	2.3	
	I <sub>DD4</sub>	STOP mode <b>Note 5</b>		50	120	μA
	I <sub>DD5</sub>	Sub Operating <b>Note 6</b>		140	275	
	I <sub>DD6</sub>	Sub HALT mode <b>Note 7</b>		90	175	
	I <sub>DD7</sub>	Sub WATCH mode <b>Note 8</b>		90	175	

- Notes:**
1. AV<sub>DD</sub>/AV<sub>REF</sub> current, port current (including a current flowing through the on-chip pull-up resistors) are not included.
  2. CPU operating at maximum frequency (PCC = 0x00H), peripheral functions operating at maximum frequency (excepted DCAN0).
  3. CPU stopped, peripheral functions operating at maximum frequency (excepted DCAN0).
  4. CPU stopped, all peripheral functions stopped (Watch timer and Watchdog timer operating on subclock).
  5. Subclock not connected.
  6. CPU operating on subclock, main system clock oscillator stopped, all peripheral functions stopped, (Watch timer and Watchdog timer operating on subclock).
  7. CPU stopped, main system clock oscillator stopped, all peripheral functions stopped (Watch timer and Watchdog timer operating on subclock).
  8. CPU stopped, main system clock oscillator stopped, all peripheral functions stopped (Watch timer and Watchdog timer operating on subclock).

2.3.2 Data retention characteristics

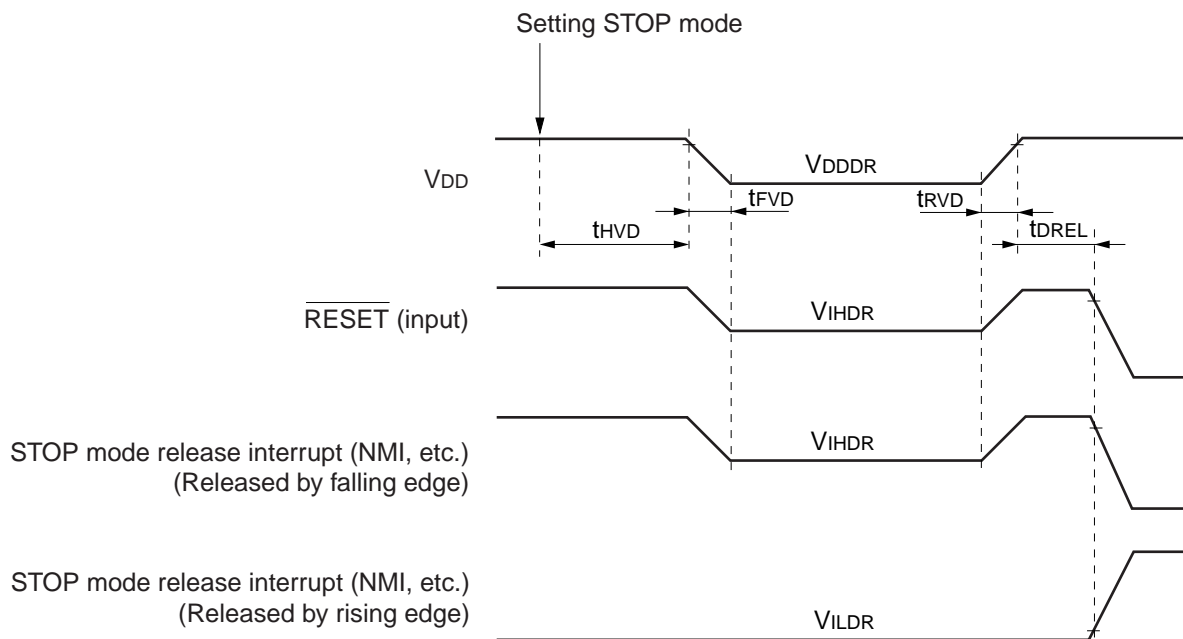
T<sub>A</sub>= -40 ~ +85°C:

Table 2-9: Data Retention Characteristics

Parameter	Symbol	Test Conditions	MIN.	TYP.	MAX.	Unit
Data retention voltage	V <sub>DDDR</sub>	STOP mode <sup>Note</sup> (no functions operating)	3.0		5.5	V
Supply Voltage rise time	t <sub>RVD</sub>		200			μs
Supply Voltage fall time	t <sub>FVD</sub>		200			μs
Supply voltage hold time	t <sub>HVD</sub>		0			ms
STOP release signal input time	t <sub>DREL</sub>		0			ns
Data retention High-level input voltage	V <sub>IHDR</sub>	All input ports	0.9V <sub>DDDR</sub>		V <sub>DDDR</sub>	V
Data retention High-level input voltage	V <sub>ILDR</sub>	All input ports	0		0.1V <sub>DDDR</sub>	V

**Note:** Subclock stopped

Figure 2-4: Data Retention Timing



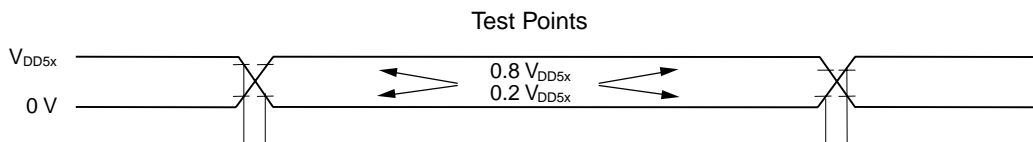
2.4 AC Characteristics

2.4.1 General

$T_A = -40^{\circ}\text{C}$  to  $+85^{\circ}\text{C}$ ,  $V_{DD50} = V_{DD51} = AV_{DD} = 4.0\text{ V} \sim 5.5\text{ V}$ ,  $V_{SS51} = V_{SS30} = V_{SS31} = AV_{SS} = 0\text{ V}$

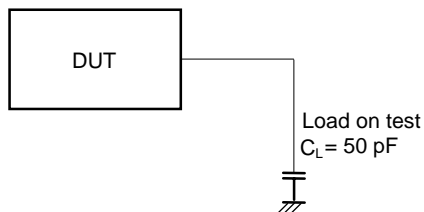
Output pin load capacitance:  $C_L = 50\text{ pF}$

Figure 2-5: AC Test Input Waveform, AC Test Load Condition



2.4.2 AC test load condition

Figure 2-6: AC Test Load Condition



2.4.3 Basic operation

$T_A = -40^{\circ}\text{C}$  to  $+85^{\circ}\text{C}$ ,  $V_{DD50} = V_{DD51} = AV_{DD} = 4.0\text{ V} \sim 5.5\text{ V}$ ,  $V_{SS51} = V_{SS30} = V_{SS31} = AV_{SS} = 0\text{ V}$

Table 2-10: Reset Timing

Parameter	Symbol	Test Conditions	MIN.	MAX.	Unit
CPU Operating clock	$f_{CPU}$			16	MHz

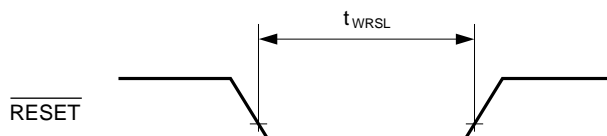
2.4.4 Reset

$T_A = -40^{\circ}\text{C}$  to  $+85^{\circ}\text{C}$ ,  $V_{DD50} = V_{DD51} = AV_{DD} = 4.0\text{ V} \sim 5.5\text{ V}$ ,  $V_{SS51} = V_{SS30} = V_{SS31} = AV_{SS} = 0\text{ V}$

Table 2-11: Reset Timing

Parameter	Symbol	Test Conditions	MIN.	MAX.	Unit
$\overline{\text{RESET}}$ low-level width	$t_{\text{WRSL}}$		500		ns

Figure 2-7:  $\overline{\text{RESET}}$  Timing



2.5 Peripheral Function Characteristics

2.5.1 Key return timing

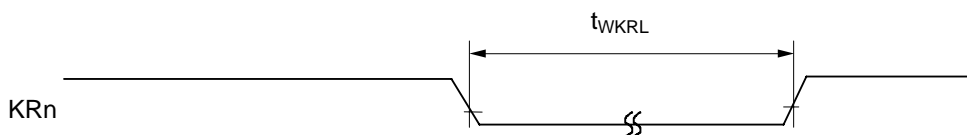
$T_A = -40^{\circ}\text{C}$  to  $+85^{\circ}\text{C}$ ,  $V_{DD50} = V_{DD51} = AV_{DD} = 4.0\text{ V} \sim 5.5\text{ V}$ ,  $V_{SS51} = V_{SS30} = V_{SS31} = AV_{SS} = 0\text{ V}$

Table 2-12: Key Return Timing

Parameter	Symbol	Test Conditions	MIN.	MAX.	Unit
KRn input low level width <sup>Note</sup>	$t_{WKRL}$		500		ns

Note: n = 0 to 7

Figure 2-8: Key Return Timing



2.5.2 Interrupt timing

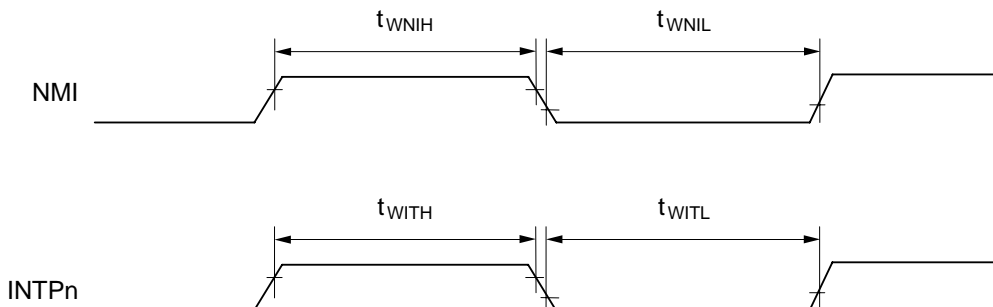
$T_A = -40^{\circ}\text{C}$  to  $+85^{\circ}\text{C}$ ,  $V_{DD50} = V_{DD51} = AV_{DD} = 4.0\text{ V} \sim 5.5\text{ V}$ ,  $V_{SS51} = V_{SS30} = V_{SS31} = AV_{SS} = 0\text{ V}$

Table 2-13: Interrupt Timing

Parameter	Symbol	Test Conditions	MIN.	MAX.	Unit
NMI high-level width	$t_{WNIH}$	Analog filter	500		ns
NMI low-level width	$t_{WNIL}$	Analog filter	500		ns
INTPn <sup>Note</sup> high-level width	$t_{WITH}$	Analog filter	500		ns
INTPn <sup>Note</sup> low-level width	$t_{WITL}$	Analog filter	500		ns

Note: n = 0 to 8

Figure 2-9: Interrupt Timing



Remark: n = 0 to 8

2.5.3 Timer G0 / Timer C0 / Timer 5n

T<sub>A</sub> = -40°C to +85°C, V<sub>DD50</sub> = V<sub>DD51</sub> = AV<sub>DD</sub> = 4.0 V ~ 5.5 V, V<sub>SS51</sub> = V<sub>SS30</sub> = V<sub>SS31</sub> = AV<sub>SS</sub> = 0 V

Table 2-14: Timer G0 / Timer C0 / Timer 5n Characteristics

Parameter	Symbol	Test Conditions	MIN.	MAX.	Unit
TIG0m high-level width <sup>Note 1</sup>	t <sub>WTIGH</sub>		T <sub>T</sub> × 2 + 20 <sup>Note 2</sup>		ns
TIG0m low-level width <sup>Note 1</sup>	t <sub>WTIGL</sub>		T <sub>T</sub> × 2 + 20 <sup>Note 2</sup>		ns
TIC0m high-level width <sup>Note 3</sup>	t <sub>WTICH</sub>		T <sub>T</sub> × 2 + 20 <sup>Note 2</sup>		ns
TIC0m low-level width <sup>Note 3</sup>	t <sub>WTICL</sub>		T <sub>T</sub> × 2 + 20 <sup>Note 2</sup>		ns
TI5n input cycle time <sup>Note 4</sup>	T <sub>WTI5CY</sub>		120		ns
TI5n input high level with <sup>Note 4</sup>	T <sub>WTI5CH</sub>		48		ns
TI5n low level width <sup>Note 4</sup>	T <sub>WTI5CL</sub>		48		ns

Notes: 1. m = 0 to 5

2. T<sub>T</sub>: Depends on selected clock source for the peripheral clock supply and the setup of the respective timer macro clock and timer channel setup

3. m = 0 to 1

4. n = 0 to 2

Figure 2-10: Timer G0 Characteristics

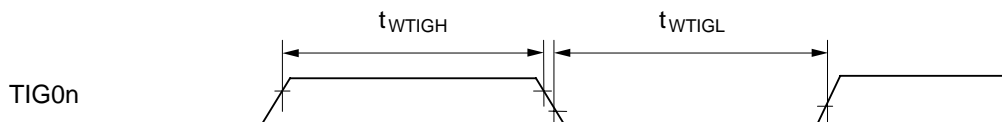


Figure 2-11: Timer C0 Characteristics

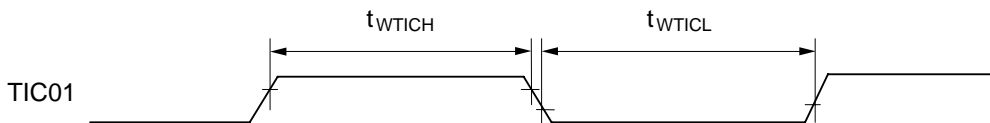
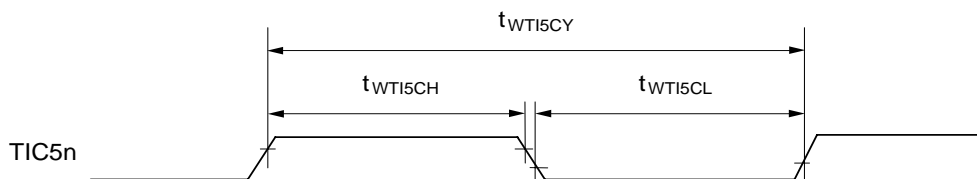


Figure 2-12: Timer 5n Characteristics





2.5.4 CSI

T<sub>A</sub> = -40°C to +85°C, V<sub>DD50</sub> = V<sub>DD51</sub> = AV<sub>DD</sub> = 4.0 V ~ 5.5 V, V<sub>SS51</sub> = V<sub>SS30</sub> = V<sub>SS31</sub> = AV<sub>SS</sub> = 0

Table 2-15: CSI Master Mode Characteristics

Parameter <sup>Note</sup>	Symbol	Test Conditions	MIN.	MAX.	Unit
$\overline{\text{SCK0n}}$ cycle time	t <sub>CYSKM</sub>	Output	200		ns
$\overline{\text{SCK0n}}$ high level width	t <sub>WSKHM</sub>	Output	0.5 t <sub>CYSK</sub> - 10		ns
$\overline{\text{SCK0n}}$ low level width	t <sub>WSKLM</sub>	Output	0.5 t <sub>CYSK</sub> - 10		ns
SI0n set up time (to $\overline{\text{SCK0n}}$ ↑)	t <sub>SSISKM</sub>		30		ns
SI0n hold time (from $\overline{\text{SCK0n}}$ ↑)	t <sub>HSKSIM</sub>		30		ns
SO0n output delay time (from $\overline{\text{SCK0n}}$ ↓)	t <sub>DSKSOM</sub>			30	ns
SO0n output hold time (from $\overline{\text{SCK0n}}$ ↑)	t <sub>HSKSOM</sub>		0.5 t <sub>CYSK</sub> - 5		ns

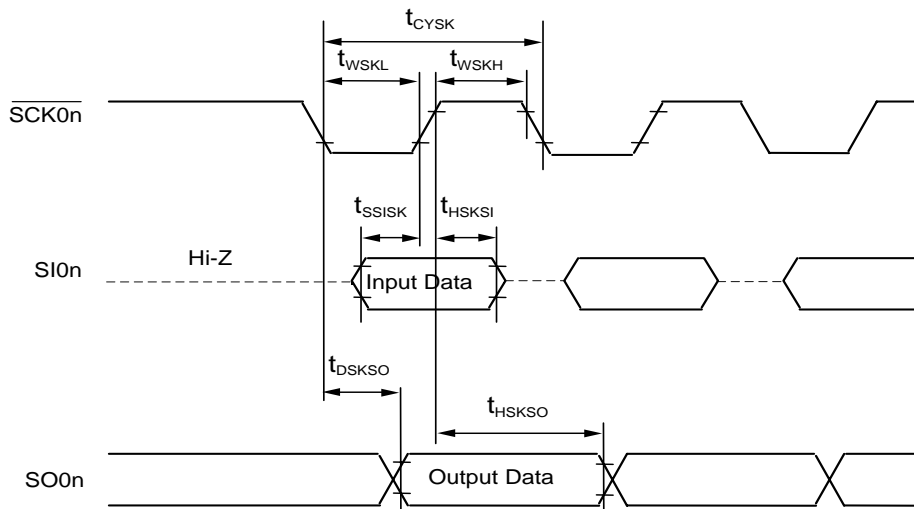
Remark: n = 0, 1

Table 2-16: CSI Slave Mode Characteristics

Parameter <sup>Note</sup>	Symbol	Test Conditions	MIN.	MAX.	Unit
$\overline{\text{SCK0n}}$ cycle time	t <sub>CYSKS</sub>	Input	200		ns
$\overline{\text{SCK0n}}$ high level width	t <sub>WSKHS</sub>	Input	0.5 t <sub>CYSK</sub> - 10		ns
$\overline{\text{SCK0n}}$ low level width	t <sub>WSKLS</sub>	Input	0.5 t <sub>CYSK</sub> - 10		ns
SI0n set up time (to $\overline{\text{SCK0n}}$ ↑)	t <sub>SSISKS</sub>		50		ns
SI0n hold time (from $\overline{\text{SCK0n}}$ ↑)	t <sub>HSKSiS</sub>		50		ns
SO0n output delay time (from $\overline{\text{SCK0n}}$ ↓)	t <sub>DSKSOS</sub>			50	ns
SO0n output hold time (from $\overline{\text{SCK0n}}$ ↑)	t <sub>HSKSOS</sub>		0.5 t <sub>CYSK</sub> - 5		ns

Remark: n = 0, 1

Figure 2-13: CSI Slave Mode Characteristics



2.5.5 UART

T<sub>A</sub> = -40°C to +85°C, V<sub>DD50</sub> = V<sub>DD51</sub> = AV<sub>DD</sub> = 4.0 V ~ 5.5 V, V<sub>SS51</sub> = V<sub>SS30</sub> = V<sub>SS31</sub> = AV<sub>SS</sub> = 0 V

Table 2-17: UART Characteristics

Parameter	Symbol	Test Conditions	MIN.	MAX.	Unit
Transfer rate	T <sub>UART</sub>	f <sub>Peripheral</sub> ≥ 5 MHz		312500	bps

2.5.6 DCAN

T<sub>A</sub> = -40°C to +85°C, V<sub>DD50</sub> = V<sub>DD51</sub> = AV<sub>DD</sub> = 4.0 V ~ 5.5 V, V<sub>SS51</sub> = V<sub>SS30</sub> = V<sub>SS31</sub> = AV<sub>SS</sub> = 0 V

Table 2-18: DCAN Characteristics

Parameter	Symbol	Test Conditions	MIN.	MAX.	Unit
Transfer rate	T <sub>DCAN</sub>	f <sub>XX</sub> = 16 MHz		1	Mbps

2.5.7 A/D converter

T<sub>A</sub> = -40°C to +85°C, V<sub>DD50</sub> = V<sub>DD51</sub> = AV<sub>DD</sub> = 4.5 V ~ 5.5 V, V<sub>SS51</sub> = V<sub>SS30</sub> = V<sub>SS31</sub> = AV<sub>SS</sub> = 0 V

Table 2-19: A/D Converter Characteristics

Parameter	Symbol	Test Conditions	MIN.	TYP.	MAX.	Unit
Resolution	-			10		Bit
Overall Error <sup>Note 1</sup>	-				±3	LSB
Conversion time <sup>Note 2</sup>	T <sub>CONV</sub>		5		12	μs
Sampling time <sup>Note 3</sup>	T <sub>SAM</sub>			T <sub>CONV</sub> /6		μs
Analog input voltage	V <sub>IAN</sub>		AV <sub>SS</sub>		AV <sub>DD</sub>	V
Analog supply current	I <sub>AVDD</sub>	A/D converter is operating		4.0	8.0	mA
	I <sub>LAVDD</sub>	A/D converter is stopped <sup>Note 4</sup>		1.0	5.0	μA

- Notes:**
1. The quantization error is not included
  2. The conversion time T<sub>CONV</sub> depends on the setting of the ADM register
  3. The sampling time T<sub>SAM</sub> depends on the setting of the ADM register
  4. The leakage current specification becomes valid if the A/D converter reference voltage is switched off.

2.5.8 Voltage regulator

T<sub>A</sub> = -40°C to +85°C, V<sub>DD50</sub> = V<sub>DD51</sub> = AV<sub>DD</sub> = 4.0 V ~ 5.5 V, V<sub>SS51</sub> = V<sub>SS30</sub> = V<sub>SS31</sub> = AV<sub>SS</sub> = 0 V

Table 2-20: Voltage regulator

Parameter	Symbol	Test Conditions	MIN.	MAX.	Unit
Output voltage stabilization time	t <sub>REG</sub>	Time starts when V <sub>DD50</sub> reaches minimum value of 4.0 V (C <sub>REGC0</sub> = C <sub>REGC1</sub> = 1 μF) <sup>Note</sup>		2	ms

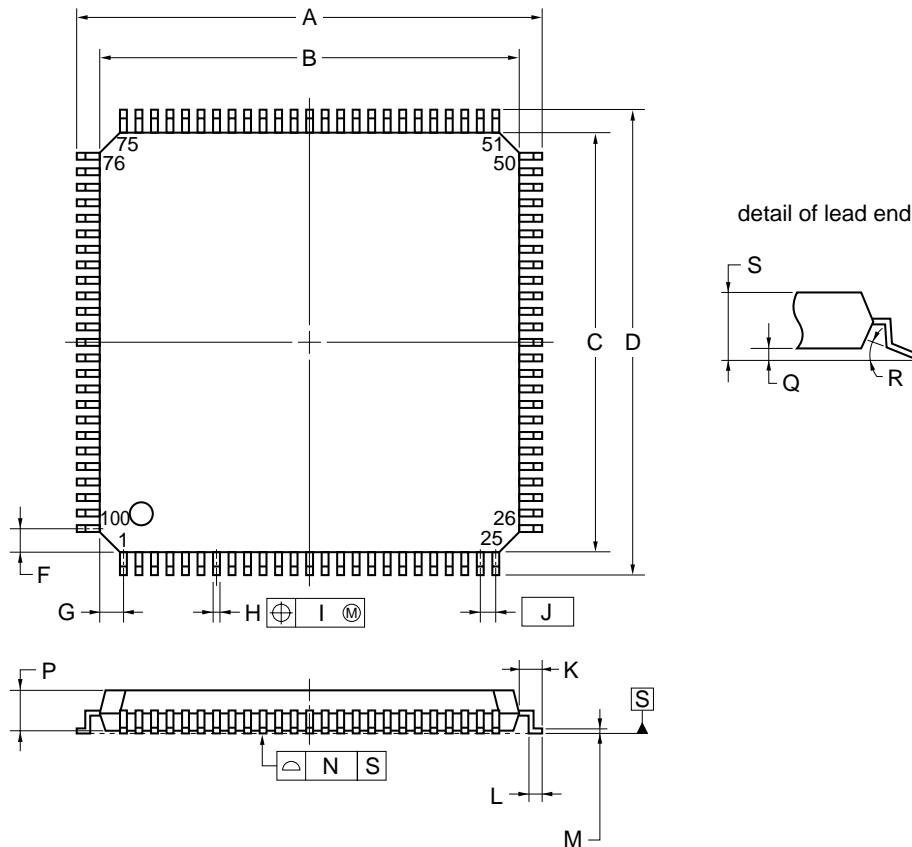
**Note:** C<sub>REGC0</sub> & C<sub>REGC1</sub> are respectively connected to REGC0 and REGC1 pins. They must have the same value.

**Remark:** To improve EMI and noise filtering, it might be necessary to connect small size capacitances in parallel with C<sub>REGC0</sub> & C<sub>REGC1</sub>.

3. Package Drawing

Figure 3-1: Package Drawing

100-PIN PLASTIC LQFP (FINE PITCH) (14x14)



NOTE

Each lead centerline is located within 0.08 mm of its true position (T.P.) at maximum material condition.

ITEM	MILLIMETERS
A	16.00±0.20
B	14.00±0.20
C	14.00±0.20
D	16.00±0.20
F	1.00
G	1.00
H	0.22 <sup>+0.05</sup> <sub>-0.04</sub>
I	0.08
J	0.50 (T.P.)
K	1.00±0.20
L	0.50±0.20
M	0.17 <sup>+0.03</sup> <sub>-0.07</sub>
N	0.08
P	1.40±0.05
Q	0.10±0.05
R	3 <sup>+7°</sup> <sub>-3°</sub>
S	1.60 MAX.

S100GC-50-8EU, 8EA-2

#### 4. Recommended Soldering Conditions

Solder this product under the following recommended conditions.

For details of the recommended soldering conditions, refer to information document Semiconductor Device:

**Mounting Technology Manual (C10535E).**

For soldering methods and conditions other than those recommended please consult NEC.

**Table 4-1: Soldering Conditions**

Soldering Method	Soldering Condition	Symbol of Recommended Soldering Condition
Infrared reflow	Package peak temperature: 235°C, Time: 30 seconds max. (210°C min.), Number of times: 3 max., Number of days: 7 <b>Note</b>	IR35-107-3
VPS	Package peak temperature: 215°C, Time: 30 seconds max. (210°C min.), Number of times: 2 max., Number of days: 7 <b>Note</b>	VP15-207-2
Partial heating	Pin temperature: 300°C max., Time: 3 seconds max. (per side of device)	-

**Note:** The number of days refers to storage at 25°C, 65% RH MAX after the dry pack has been opened.

After that, prebaking is necessary at 125 °C for 10 to 72 hours.

**Caution:** Do not use two or more soldering methods in combination (except partial heating method).

NOTES FOR CMOS DEVICES

① PRECAUTION AGAINST ESD FOR SEMICONDUCTORS

Note:

Strong electric field, when exposed to a MOS device, can cause destruction of the gate oxide and ultimately degrade the device operation. Steps must be taken to stop generation of static electricity as much as possible, and quickly dissipate it once, when it has occurred. Environmental control must be adequate. When it is dry, humidifier should be used. It is recommended to avoid using insulators that easily build static electricity. Semiconductor devices must be stored and transported in an anti-static container, static shielding bag or conductive material. All test and measurement tools including work bench and floor should be grounded. The operator should be grounded using wrist strap. Semiconductor devices must not be touched with bare hands. Similar precautions need to be taken for PW boards with semiconductor devices on it.

② HANDLING OF UNUSED INPUT PINS FOR CMOS

Note:

No connection for CMOS device inputs can be cause of malfunction. If no connection is provided to the input pins, it is possible that an internal input level may be generated due to noise, etc., hence causing malfunction. CMOS devices behave differently than Bipolar or NMOS devices. Input levels of CMOS devices must be fixed high or low by using a pull-up or pull-down circuitry. Each unused pin should be connected to  $V_{DD}$  or GND with a resistor, if it is considered to have a possibility of being an output pin. All handling related to the unused pins must be judged device by device and related specifications governing the devices.

③ STATUS BEFORE INITIALIZATION OF MOS DEVICES

Note:

Power-on does not necessarily define initial status of MOS device. Production process of MOS does not define the initial operation status of the device. Immediately after the power source is turned ON, the devices with reset function have not yet been initialized. Hence, power-on does not guarantee out-pin levels, I/O settings or contents of registers. Device is not initialized until the reset signal is received. Reset operation must be executed immediately after power-on for devices having reset function.

All other product, brand, or trade names used in this publication are the trademarks or registered trademarks of their respective trademark owners.

Product specifications are subject to change without notice. To ensure that you have the latest product data, please contact your local NEC Electronics sales office.

- **The information in this document is current as of April, 2005. The information is subject to change without notice. For actual design-in, refer to the latest publications of NEC Electronics data sheets or data books, etc., for the most up-to-date specifications of NEC Electronics products. Not all products and/or types are available in every country. Please check with an NEC Electronics sales representative for availability and additional information.**
- No part of this document may be copied or reproduced in any form or by any means without the prior written consent of NEC Electronics. NEC Electronics assumes no responsibility for any errors that may appear in this document.
- NEC Electronics does not assume any liability for infringement of patents, copyrights or other intellectual property rights of third parties by or arising from the use of NEC Electronics products listed in this document or any other liability arising from the use of such products. No license, express, implied or otherwise, is granted under any patents, copyrights or other intellectual property rights of NEC Electronics or others.
- Descriptions of circuits, software and other related information in this document are provided for illustrative purposes in semiconductor product operation and application examples. The incorporation of these circuits, software and information in the design of a customer's equipment shall be done under the full responsibility of the customer. NEC Electronics assumes no responsibility for any losses incurred by customers or third parties arising from the use of these circuits, software and information.
- While NEC Electronics endeavors to enhance the quality, reliability and safety of NEC Electronics products, customers agree and acknowledge that the possibility of defects thereof cannot be eliminated entirely. To minimize risks of damage to property or injury (including death) to persons arising from defects in NEC Electronics products, customers must incorporate sufficient safety measures in their design, such as redundancy, fire-containment and anti-failure features.
- NEC Electronics products are classified into the following three quality grades: "Standard", "Special" and "Specific".

The "Specific" quality grade applies only to NEC Electronics products developed based on a customer-designated "quality assurance program" for a specific application. The recommended applications of an NEC Electronics product depend on its quality grade, as indicated below. Customers must check the quality grade of each NEC Electronics product before using it in a particular application.

"Standard": Computers, office equipment, communications equipment, test and measurement equipment, audio and visual equipment, home electronic appliances, machine tools, personal electronic equipment and industrial robots.

"Special": Transportation equipment (automobiles, trains, ships, etc.), traffic control systems, anti-disaster systems, anti-crime systems, safety equipment and medical equipment (not specifically designed for life support).

"Specific": Aircraft, aerospace equipment, submersible repeaters, nuclear reactor control systems, life support systems and medical equipment for life support, etc.

The quality grade of NEC Electronics products is "Standard" unless otherwise expressly specified in NEC Electronics data sheets or data books, etc. If customers wish to use NEC Electronics products in applications not intended by NEC Electronics, they must contact an NEC Electronics sales representative in advance to determine NEC Electronics' willingness to support a given application.

(Note)

- (1) "NEC Electronics" as used in this statement means NEC Electronics Corporation and also includes its majority-owned subsidiaries.
- (2) "NEC Electronics products" means any product developed or manufactured by or for NEC Electronics (as defined above).

M8E 02.11-1

## Regional Information

Some information contained in this document may vary from country to country. Before using any NEC product in your application, please contact the NEC office in your country to obtain a list of authorized representatives and distributors. They will verify:

- Device availability
- Ordering information
- Product release schedule
- Availability of related technical literature
- Development environment specifications (for example, specifications for third-party tools and components, host computers, power plugs, AC supply voltages, and so forth)
- Network requirements

In addition, trademarks, registered trademarks, export restrictions, and other legal issues may also vary from country to country.

### **NEC Electronics America Inc.**

Santa Clara, California  
Tel: 408-588-6000  
800-366-9782  
Fax: 408-588-6130  
800-729-9288

### **NEC Electronics (Europe) GmbH**

Duesseldorf, Germany  
Tel: 0211-65 03 1101  
Fax: 0211-65 03 1327

### **Sucursal en España**

Madrid, Spain  
Tel: 091- 504 27 87  
Fax: 091- 504 28 60

### **Succursale Française**

Vélizy-Villacoublay, France  
Tel: 01-30-67 58 00  
Fax: 01-30-67 58 99

### **Filiale Italiana**

Milano, Italy  
Tel: 02-66 75 41  
Fax: 02-66 75 42 99

### **Branch The Netherlands**

Eindhoven, The Netherlands  
Tel: 040-244 58 45  
Fax: 040-244 45 80

### **Branch Sweden**

Taeby, Sweden  
Tel: 08-63 80 820  
Fax: 08-63 80 388

### **United Kingdom Branch**

Milton Keynes, UK  
Tel: 01908-691-133  
Fax: 01908-670-290

### **NEC Electronics Hong Kong Ltd.**

Hong Kong  
Tel: 2886-9318  
Fax: 2886-9022/9044

### **NEC Electronics Hong Kong Ltd.**

Seoul Branch  
Seoul, Korea  
Tel: 02-528-0303  
Fax: 02-528-4411

### **NEC Electronics Singapore Pte. Ltd.**

Singapore  
Tel: 65-6253-8311  
Fax: 65-6250-3583

### **NEC Electronics Taiwan Ltd.**

Taipei, Taiwan  
Tel: 02-2719-2377  
Fax: 02-2719-5951



## Facsimile Message

Although NEC has taken all possible steps to ensure that the documentation supplied to our customers is complete, bug free and up-to-date, we readily accept that errors may occur. Despite all the care and precautions we've taken, you may encounter problems in the documentation. Please complete this form whenever you'd like to report errors or suggest improvements to us.

From: \_\_\_\_\_

Name \_\_\_\_\_

Company \_\_\_\_\_

Tel. \_\_\_\_\_ FAX \_\_\_\_\_

Address \_\_\_\_\_

*Thank you for your kind support.*

<b>North America</b> NEC Electronics America Inc. Corporate Communications Dept. Fax: 1-800-729-9288 1-408-588-6130	<b>Hong Kong, Philippines, Oceania</b> NEC Electronics Hong Kong Ltd. Fax: +852-2886-9022/9044	<b>Asian Nations except Philippines</b> NEC Electronics Singapore Pte. Ltd. Fax: +65-6250-3583
<b>Europe</b> NEC Electronics (Europe) GmbH Market Communication Dept. Fax: +49(0)-211-6503-1344	<b>Korea</b> NEC Electronics Hong Kong Ltd. Seoul Branch Fax: 02-528-4411	<b>Japan</b> NEC Semiconductor Technical Hotline Fax: +81- 44-435-9608
	<b>Taiwan</b> NEC Electronics Taiwan Ltd. Fax: 02-2719-5951	

I would like to report the following error/make the following suggestion:

Document title: \_\_\_\_\_

Document number: \_\_\_\_\_ Page number: \_\_\_\_\_

\_\_\_\_\_

\_\_\_\_\_

\_\_\_\_\_

If possible, please fax the referenced page or drawing.

Document Rating	Excellent	Good	Acceptable	Poor
Clarity	<input type="checkbox"/>	<input type="checkbox"/>	<input type="checkbox"/>	<input type="checkbox"/>
Technical Accuracy	<input type="checkbox"/>	<input type="checkbox"/>	<input type="checkbox"/>	<input type="checkbox"/>
Organization	<input type="checkbox"/>	<input type="checkbox"/>	<input type="checkbox"/>	<input type="checkbox"/>