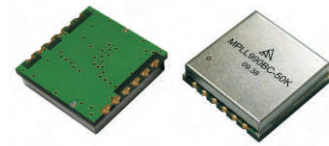


Features

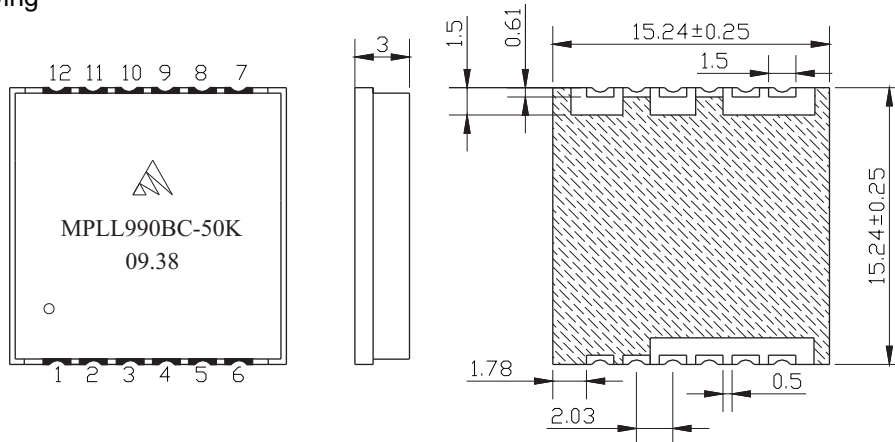
- Small size 15.24*15.24*3.0mm
- Low power supply +5V or +3V
- Frequency 50~6000MHz, relative bandwidth up to 20%



Part number	Frequency MHz	Power output dBm	Step size kHz	Switching time mS	Harmonic output 2nd dBc	Spurious output dBc	Phase noise @10kHz dBc/Hz	Vpll/lpll V/mA	Vvco/lvco V/mA
MPLL62AC-500k	59-65	2±2	500	<5	-10	-70	-120	+5/5	+5/15
MPLL330BC-25k	325-335	2±2	25	<20	-12	-70	-108	+5/8	+5/15
MPLL990BC-50k	970-1010	2±2	50	<15	-12	-70	-107	+5/8	+5/15
MPLL1325CC-200k	1300-1350	2±2	200	<5	-12	-70	-105	+5/12	+5/15
MPLL2217CC-125k	2182-2252	1±2	125	<5	-15	-70	-98	+5/12	+5/20
MPLL3333CC-250k	3293-3373	1±2	250	<10	-15	-70	-93	+5/12	+5/20
MPLL4410EC-125k	4370-4450	0±2	125	<10	-15	-70	-90	+3/15	+5/20
MPLL5815EC-2M	5780-5850	0±2	2000	<5	-15	-70	-82	+3/15	+3/25

Package information

- Outline Drawing



- Pin functions

Pin No.	Function	Pin No.	Function
1	CLOCK	9	RF OUT
2	DATA	11	LD
3	LE	12	Vpll
4	REFin	Others	GND
7	Vvco		