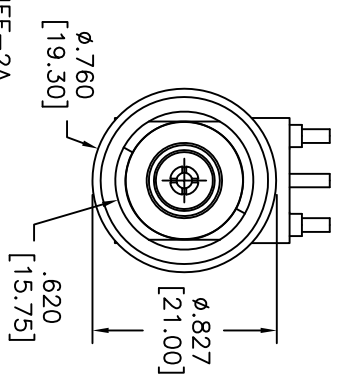
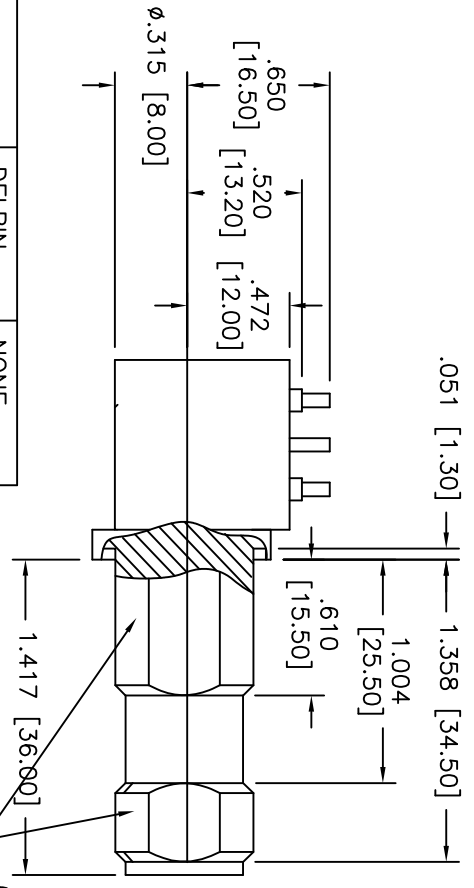
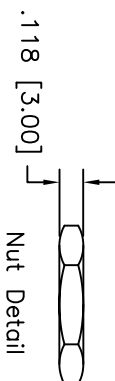
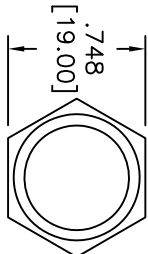
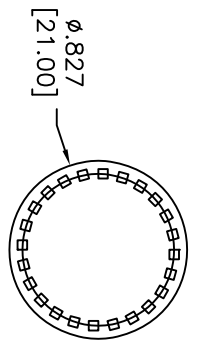
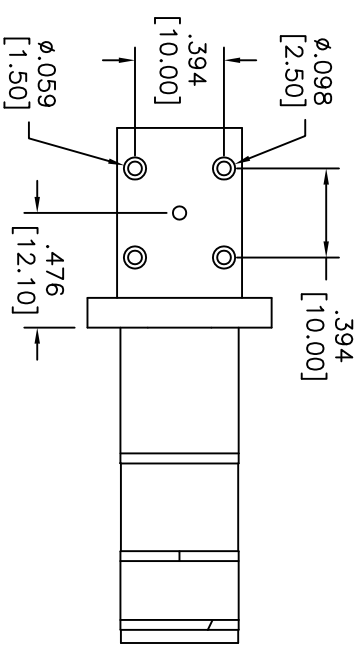
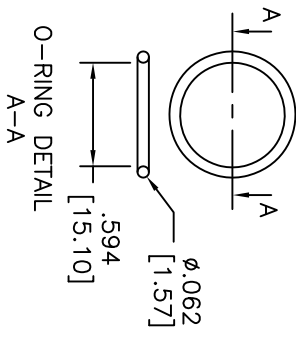


Rev	AWO #	Description	Date	Appr
-		RELEASED	8/16/10	

APPROVED: \_\_\_\_\_  
 DATE: \_\_\_\_\_ TITLE: \_\_\_\_\_



O-RING	DELRIN	NONE
NUT	BRASS	NICKEL
WASHER	STEEL	NICKEL
INSULATOR	TEFLON	NONE
PIN	BRASS	GOLD
BODY	ZINC	NICKEL
DESCRIPTION	MATERIAL	FINISH

UNLESS OTHERWISE SPECIFIED  
 ALL DIMENSIONS ARE INCHES [MM]  
 TOLERANCES: EXCEPT AS NOTED  
 INCHES: .X ±.10 Ø.X ±.015  
 .XX ±.020 Ø.XX ±.015  
 .XXX ±.015 Ø.XXX ±.010

**ADAM TECH**  
 909 Railway Avenue, Union, NJ 07083  
 Phone: 908-687-5000 Fax: 908-687-5710

**SPECIFICATIONS:**  
 Environmental:  
 Lead free, RoHS compliant.



APPROVALS	DATE
DRAWN	DY
CHECKED	
APPROVED	

SIZE	PART NO.	REV.
X	RF5-500-3-HDW	-

TITLE: CONNECTOR N-TYPE, R/A PC MOUNT 001

SCALE: NTS

SHEET 1 OF 1