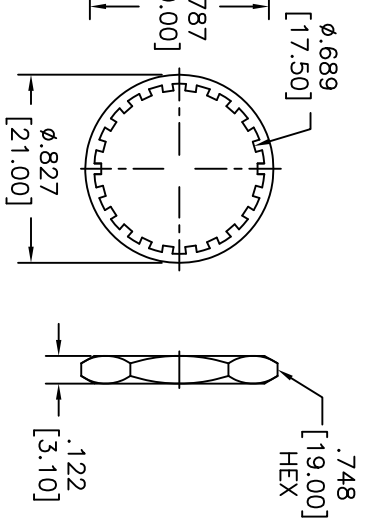
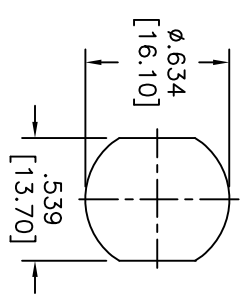
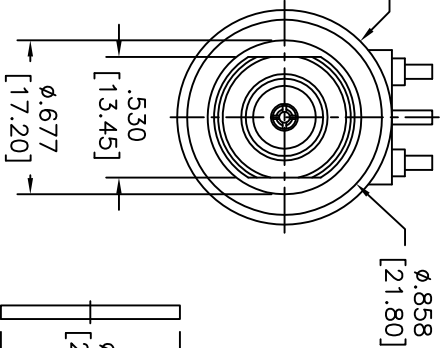
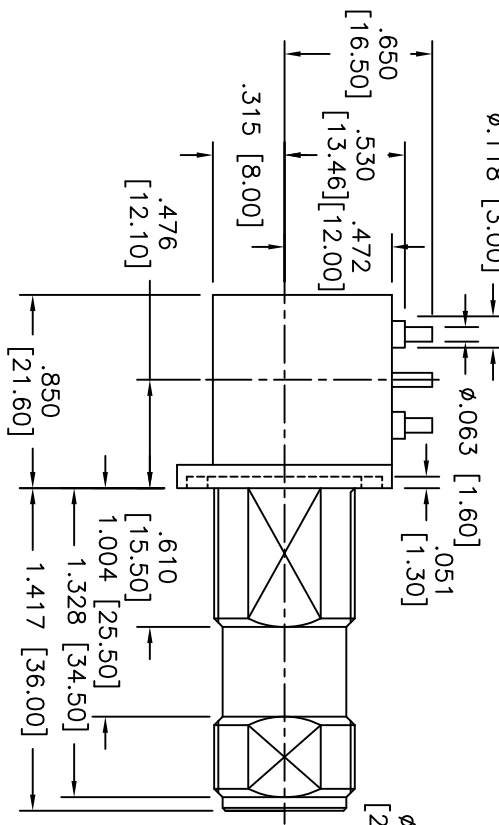
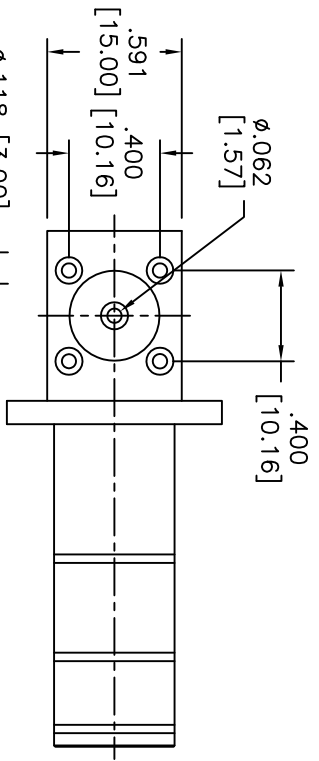


Rev	AWO #	Description	Date	Appr
-		RELEASED	9/27/10	

APPROVED: \_\_\_\_\_ TITLE: \_\_\_\_\_  
 DATE: \_\_\_\_\_



HEX NUT	BRASS	NICKEL
LOCK WASHER	BRASS	NICKEL
GASKET	SILICON	RED
POST	BRASS	GOLD
INSULATOR	TEFLON	NATURAL
CONTACT PIN	PHOSPHOR BRONZE	GOLD
INSULATOR	TEFLON	NATURAL
BODY	BRASS	NICKEL
HOUSING	BRASS	NICKEL
DESCRIPTION	MATERIAL	FINISH

**SPECIFICATIONS:**  
 Environmental:  
 Lead free, RoHS compliant.



UNLESS OTHERWISE SPECIFIED  
 ALL DIMENSIONS ARE INCHES [MM]  
 TOLERANCES: EXCEPT AS NOTED  
 INCHES: .10 .020 .015 .010  
 .XX ± .020 ØXXX ± .015  
 .XXX ± .015 ØXXXX ± .010

**ADAM TECH**  
 909 Rahway Avenue, Union, NJ 07083  
 Phone: 908-687-5000 Fax: 908-687-5710

TITLE: CONNECTOR N-TYPE, R/A PC MOUNT JACK

APPROVALS	DATE
DRAWN DY	9/27/10
CHECKED	
APPROVED	

SIZE	PART NO.	REV.
X	RF5-500-4-HDW	-
REF: S00132T	SCALE: NTS	SHEET 1 OF 1