

6

5

4

3

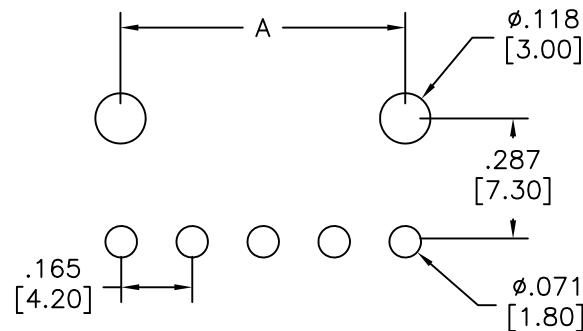
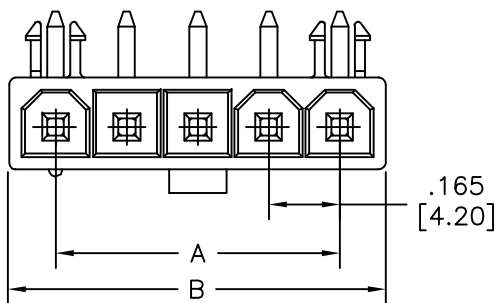
2

1

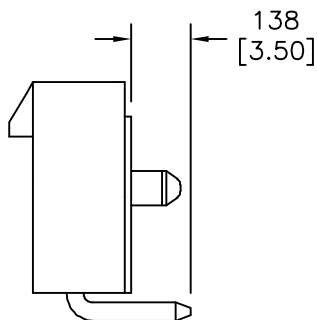
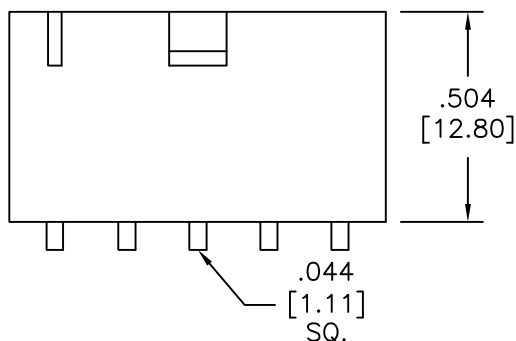
APPROVED: _____

DATE: _____ TITLE: _____

Rev	AWO #	Description	Date	Appr
-		RELEASED	12/11/15	



RECOMMENDED PCB LAYOUT



Current rating:

Wire Size AWG	Positions			
	2,3	4~6	7~10	11,12
#16	9A	8A	7A	6A

SPECIFICATIONS:

Material:
 Insulator: Nylon 66, rated UL 94V-2
 Insulator color: Natural
 Contact: Brass, Gold plated
 Electrical:
 Operating voltage: 600 VAC max
 Current rating: 10 Amps max.
 Dielectric withstanding voltage: 1500 VAC for 1 minute
 Mechanical:
 Temperature Rating:
 Operating temperature: -40°C to +105°C
 Environmental:
 Lead free, RoHS compliant.

Positions: 2 thru 12
 A = .165 [4.20] x No. of Spaces
 B = A + .213 [5.40]

UNLESS OTHERWISE SPECIFIED ALL DIMENSIONS ARE MM [INCHES] TOLERANCES: EXCEPT AS NOTED		
INCHES HOLES		
.X ± .10	Ø.X ± .10	
.XX ± .020	Ø.XX ± .015	
.XXX ± .015	Ø.XXX ± .010	
APPROVALS		DATE
DRAWN	AY	12/11/15
CHECKED	LL	12/11/15
APPROVED		

ADAM TECH

909 Rahway Avenue, Union, NJ 07083
 Phone: 908-687-5000 Fax: 908-687-5710

TITLE
 .165 [4.20] RIGHT ANGLE HEADER
 SINGLE ROW TYPE

SIZE X	PART NO. DMRA-XX-G-1-B	REV. -
REF: S00123T	SCALE: NTS	SHEET 1 OF 1



6

5

4

3

2

1