



QL7816S-A/B/C

◆ OVERVIEW

QL7816S-A/B/C is a MOCVD grown 780nm band *AlGaAs* laser diode with quantum well structure. It's an attractive light source, with a typical light output power of 30mW for industrial optical module and sensor application

◆ APPLICATION

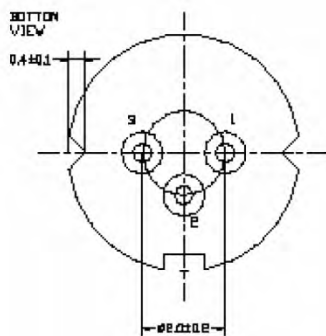
- Sensor
- Industrial optical module

◆ FEATURES

- Visible Light Output : $\lambda_p = 780 \text{ nm}$
- Optical Power Output : 30mW CW
- Package Type : TO-18 (5.6mm ϕ)
- Built-in Photo Diode for Monitoring Laser Diode

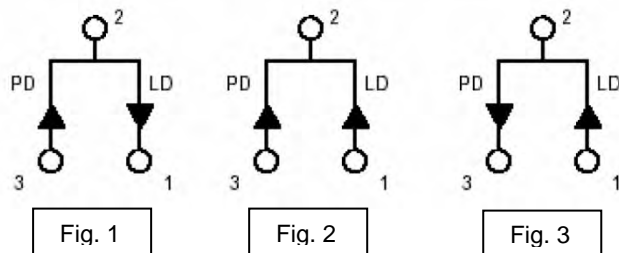
◆ ELECTRICAL CONNECTION

Bottom View



Pin Configuration

A	LD Anode, PD Cathode (Fig. 1)
B	LD, PD Cathode (Fig. 2)
C	LD Cathode, PD Anode (Fig. 3)





◆ ABSOLUTE MAXIMUM RATING at Tc=25°C

Items	Symbols	Values	Unit
Optical Output Power	P	35	mW
Laser Diode Reverse Voltage	V	2	V
Photo Diode Reverse Voltage	V	30	V
Operating Temperature	Topr	-10 ~ +60	°C
Storage Temperature	Tstg	-40 ~ +85	°C

◆ ELECTRICAL and OPTICAL CHARACTERISTICS at Tc=25°C

Items	Symbols	Min.	Typ.	Max	Unit	Condition
Optical Output Power	Po	-	30	-	mW	-
Threshold Current	Ith	-	20	30	mA	-
Operating Current	Iop	-	55	75	mA	Po=30mW
Differential efficiency	η	0.55	0.85	1.2	mW/mA	$\frac{25\text{mW}}{I(25\text{mW})-I(5\text{mW})}$
Operating Voltage	Vop	-	2	2.6	V	Po=30mW
Lasing Wavelength	λ_p	775	785	795	nm	Po=30mW
Beam Divergence	$\theta_{ }$	7	9	12	deg	Po=30mW
	θ_{\perp}	17	22	27	deg	Po=30mW
Beam Angle	$\Delta\theta_{ }$	-	-	± 2.0	deg	
	$\Delta\theta_{\perp}$	-	-	± 3.0	deg	
Monitor Current	I _m	0.1	0.3	0.6	mA	Po=30mW
Optical Distance	$\Delta X, \Delta Y, \Delta Z$	-	-	± 60	μm	
Astigmatism	As	-	5	-	μm	Po=30mW

NOTICE : QL78I6S-A/B/C to be operated on APC

The above product specifications are subject to change without notice.



◆ PACKAGE DIMENSION

