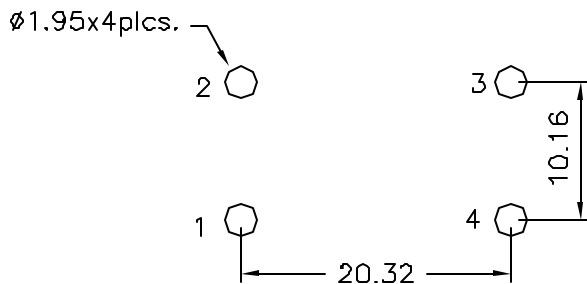
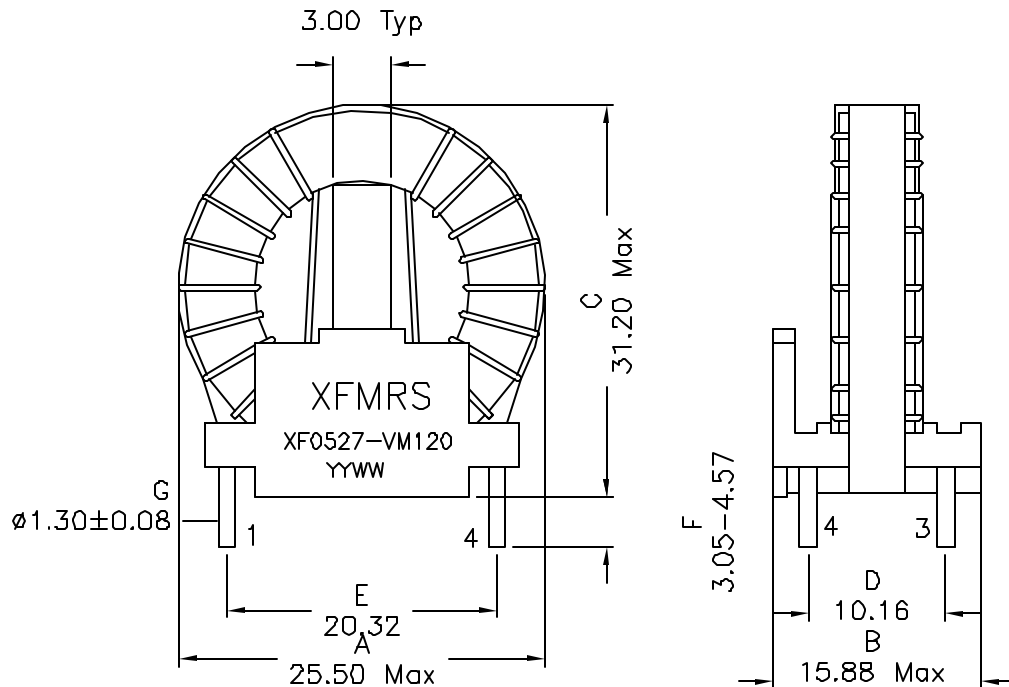
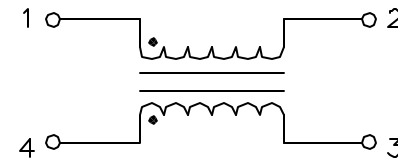


1. Mechanical:



SUGGESTED FOOTPRINT

2. Schematic:



3. Electrical Specifications:

- OCL: 5.2uH±10% @10KHz, 0.1V Wdgs. in Parallel
- OCL: 20.8uH±10% @10KHz, 0.1V Wdgs. in Series
- OCL: 9.8uH Typ @10KHz, 0.1V, 13.5Adc Wdgs. in Series
- OCL: 2.45uH Typ @10KHz, 0.1V, 27Adc Wdgs. in Parallel
- DCR: 0.006 Ohms Each Wdg.
- Hipot: 500VAC, Wdg. to Wdg.

Notes:

1. Solderability: Leads shall meet MIL-STD-202G, Method 208H for solderability.
2. Flammability: UL94V-0
3. ASTM oxygen index: > 28%
4. Insulation System: Class F 155°C. UL file E151556
5. Operating Temperature Range: All listed parameters are to be within tolerance from -40°C to +85°C
6. Storage Temperature Range: -55°C to +125°C
7. Aqueous wash compatible
8. Electrical and mechanical specifications 100% tested
9. RoHS Compliant Component

Doc Rev: A/4

XFMRS Inc www.XFMRS.com		Title: Dual Inductor	
UNLESS OTHERWISE SPECIFIED TOLERANCES: .xx ±0.20 Dimensions in mm	P/N: XF0527-VM120	REV. A	
	DWN.	Juan Mao	Feb-01-07
	CHK.	YK Liao	Feb-01-07
SHEET 1 OF 1	APP.	BW	Feb-01-07