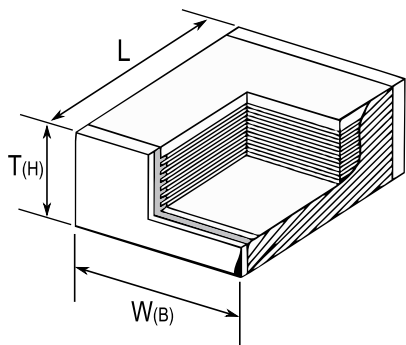


**KEMET Part Number: LDEPF3100KA0N00**  
(DEPF3100KA0N00)

Capacitor, film, 0.1 uF, +/-10% Tol, General Purpose, 630 VDC@125C



Note: '()' correspond to the letters used in the product bulletin

| Dimensions (mm) |           |           |
|-----------------|-----------|-----------|
| Symbol          | Dimension | Tolerance |
| L               | 10.5      | +/-0.4    |
| W               | 7.9       | +/-0.5    |
| T               | 5.5       | MAX       |

| Packaging Specifications |          |
|--------------------------|----------|
| Package Kind:            | T&R      |
| Package Size:            | Standard |
| Package Quantity:        | 1000     |

| General Information |                          |
|---------------------|--------------------------|
| Supplier:           | KEMET                    |
| Dielectric:         | Metallized PEN (Stacked) |
| Application:        | General Purpose          |
| Sub Application:    | AEC-Q200                 |
| Style:              | Surface Mount            |
| Chip Size:          | 4030                     |
| RoHS:               | Yes                      |

| Specifications              |           |
|-----------------------------|-----------|
| Capacitance:                | 0.1 uF    |
| Voltage:                    | 630 VDC   |
| Tolerance:                  | +/-10%    |
| Voltage AC:                 | 200 VAC   |
| Rated Temperature:          | 125C      |
| Temperature Range:          | -55/+125C |
| Dissipation Factor @ 1 kHz: | 0.8%      |
| Insulation Resistance:      | 1 GOhm    |
| Maximum dVdT:               | 100 v/us  |