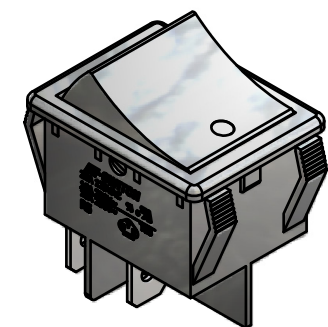
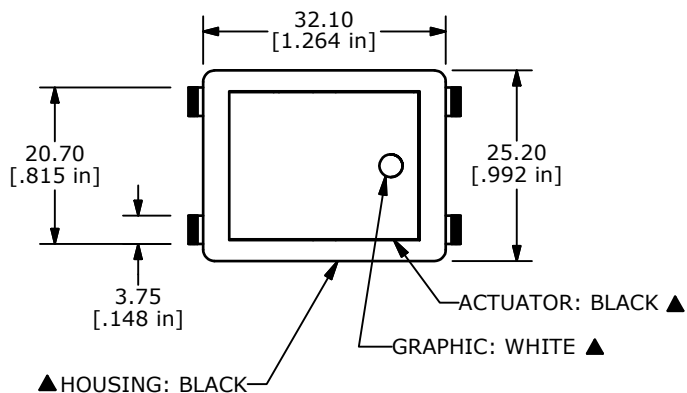
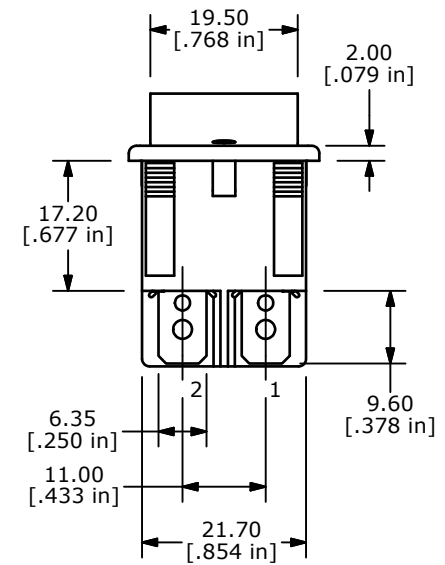
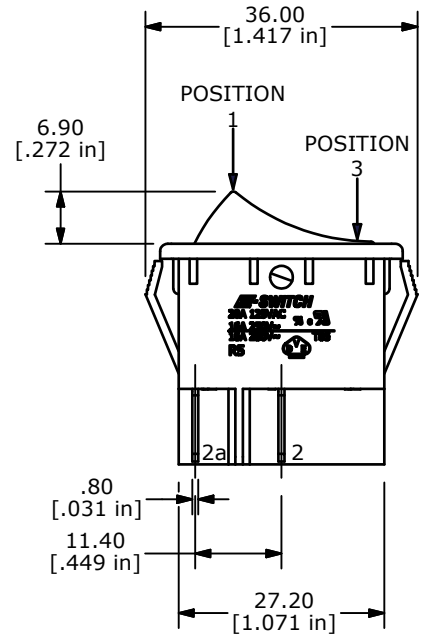
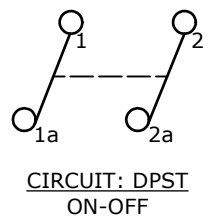


| PANEL THICKNESS | X |
|-----------------|----------|
| 0.70-1.25 | 30.1±0.1 |
| 1.25-2.00 | 30.3±0.1 |
| 2.00-3.00 | 30.7±0.1 |

RECOMMENDED PANEL MOUNTING



| SWITCH FUNCTION | | |
|-----------------|--------|------------|
| POS. 1 | POS. 2 | POS. 3 |
| | | |
| OFF | NONE | ON |
| OPEN | N/A | 1-1a, 2-2a |



NOTES:

- ALL DIMENSIONS IN MM [INCH]
- GENERAL TOLERANCE: X.X=±0.4
X.XX=±0.25
- TERM. NOS. FOR REF. ONLY
- RATING: 20A @125VAC 3/4HP UL APPROVED
16A @250VAC 1HP UL APPROVED
16A @ 250VAC 1HP VDE APPROVED
- ELECTRICAL LIFE: 10,000 CYCLES
- MECHANICAL LIFE: 30,000 CYCLES
- CONTACT RESISTANCE: <20 MILLI-OHMS INITIAL
- DIELECTRIC STRENGTH: >1,500V AC 1MIN
- INSULATION RESISTANCE: >1000MOHMS
- OPERATING TEMP: TERMINAL SIDE: -20°C to 85°C
ROCKER SIDE: -20°C to 55°C
- ▲DENOTES CRITICAL PARAMETER.
- 2002/95/EC (ROHS) COMPLIANT

| | | | | |
|-----|--------|----------------------------|----------|-----|
| F | 20125 | ADD HP RATING | 08/31/11 | BMA |
| E | 19762 | UPDATE DRAWING | 03/15/11 | BMA |
| D | 16459 | REDRAWN IN INVENTOR FORMAT | 9/14/06 | BO |
| REV | PCR NO | DESCRIPTION | DATE | BY |

THE INFORMATION CONTAINED IN THIS DOCUMENT IS PROPRIETARY TO E-SWITCH AND IS NOT TO BE COPIED OR TRANSFERRED

TITLE R5ABLKBLKAF0

| | | | | |
|-----------|----------------|-------|-------------|-------|
| SCALE 1:1 | DATE 9/14/2006 | DR BO | DWG M050223 | REV F |
|-----------|----------------|-------|-------------|-------|