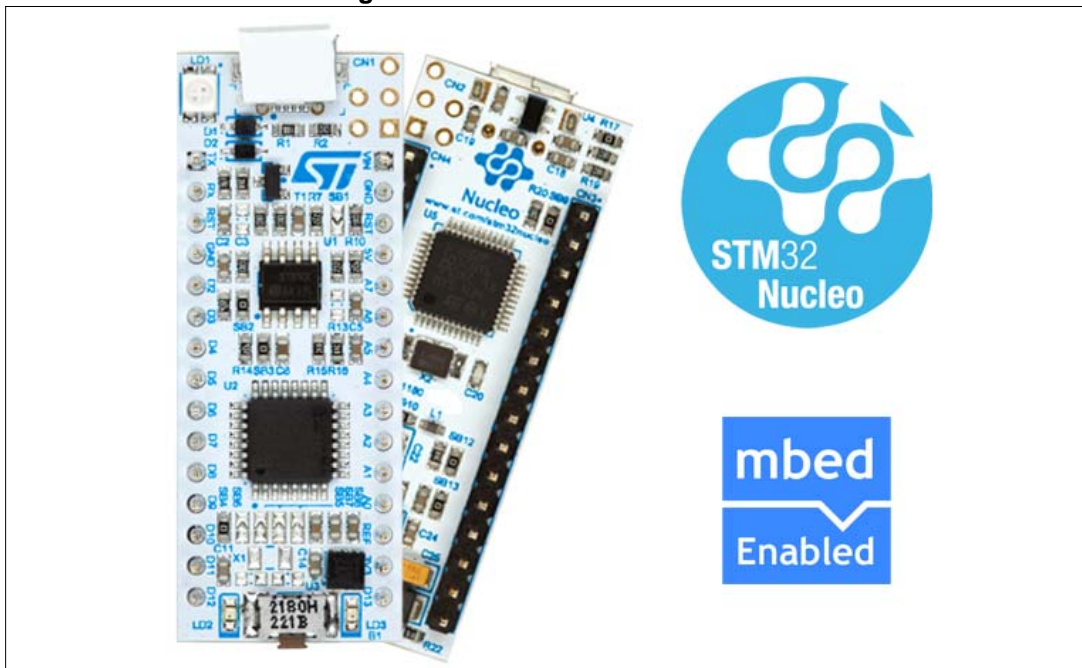


Introduction

The STM32 Nucleo-32 board (NUCLEO-F031K6, NUCLEO-F042K6, NUCLEO-F303K8, NUCLEO-L031K6) provides an affordable and flexible way for users to try out new concepts and build prototypes with STM32 microcontrollers, choosing from the various combinations of performance, power consumption and features. The Arduino Nano connectivity support makes it easy to expand the functionality of the Nucleo-32 open development platform with a wide choice of specialized shields. The STM32 Nucleo-32 board does not require any separate probe as it integrates the ST-LINK/V2-1 debugger/programmer. The Nucleo-32 board comes with the STM32 comprehensive software HAL library together with various packaged software examples, as well as direct access to mbed online resources at <http://mbed.org>.

Figure 1. STM32 Nucleo-32 board



1. Picture not contractual

Contents

1	Features	6
2	Product marking	7
3	Ordering information	8
4	Conventions	9
5	Quick start	10
5.1	Getting started	10
5.2	System requirements	10
6	Hardware layout and configuration	11
6.1	Embedded ST-LINK/V2-1	13
6.1.1	Drivers	14
6.1.2	ST-LINK/V2-1 firmware upgrade	14
6.2	Power supply and power selection	15
6.2.1	Power supply input from USB connector	15
6.2.2	External power supply inputs	16
	VIN or +5V power supply	16
	+3V3 power supply	17
6.2.3	External power supply output	17
6.3	LEDs	17
6.4	Push button	17
6.5	JP1 (IDD)	18
6.6	OSC clock	18
6.7	USART virtual communication	18
6.8	Solder bridges	19
6.9	Arduino Nano connectors	20
7	Electrical schematics	26
Appendix A Mechanical dimensions		29

8 **Revision history** **30**

List of tables

Table 1.	Ordering information	8
Table 2.	ON/OFF conventions	9
Table 3.	SB1 configuration	15
Table 4.	External power sources	16
Table 5.	OSC clock configurations	18
Table 6.	Virtual communication configuration	19
Table 7.	Solder bridges.	19
Table 8.	Arduino Nano connectors on NUCLEO-F031K6	20
Table 9.	Arduino Nano connectors on NUCLEO-F042K6	21
Table 10.	Arduino Nano connectors on NUCLEO-F303K8	23
Table 11.	Arduino Nano connectors on NUCLEO-L031K6.	24
Table 12.	Document revision history	30

List of figures

Figure 1.	STM32 Nucleo-32 board.	1
Figure 2.	Hardware block diagram.	11
Figure 3.	Top layout view of the Nucleo-32 board	12
Figure 4.	Bottom layout view of the Nucleo-32 board	13
Figure 5.	USB composite device	14
Figure 6.	NUCLEO-F031K6, NUCLEO-F042K6, NUCLEO-F303K8 pin assignment	25
Figure 7.	NUCLEO-L031K6 pin assignment	25
Figure 8.	Nucleo-32 board top view	26
Figure 9.	MCU	27
Figure 10.	ST-LINK/V2-1	28
Figure 11.	Nucleo-32 board mechanical dimensions in millimeter.	29

1 Features

- STM32 microcontrollers in 32-pin packages
- Extension with Arduino Nano connectivity
- mbed-enabled (<http://mbed.org>)
- On-board ST-LINK/V2-1 debugger/programmer
- USB re-enumeration capability, three different interfaces supported on USB:
 - Virtual Com port
 - Mass storage
 - Debug port
- Flexible board power supply:
 - USB VBUS
 - External source
- Three LEDs:
 - USB communication (LD1), power LED (LD2), user LED (LD3)
- Reset push button
- Supported by wide choice of Integrated Development Environments (IDEs) including IAR™, Keil®, GCC-based IDEs (AC6: SW4STM32,...)

2 Product marking

Evaluation tools marked as "ES" or "E" are not yet qualified and therefore they are not ready to be used as reference design or in production. Any consequences deriving from such usage will not be at ST charge. In no event, ST will be liable for any customer usage of these engineering sample tools as reference design or in production.

"E" or "ES" marking examples of location:

- On the targeted STM32 that is soldered on the board (for illustration of STM32 marking, refer to the section "Package characteristics" of the STM32 datasheet at www.st.com).
- Next to the evaluation tool ordering part number, that is stuck or silk-screen printed on the board.

3 Ordering information

The order codes and the respective targeted STM32 are listed in the below [Table 1](#).

Table 1. Ordering information

Target STM32	Order code
STM32F031K6T6	NUCLEO-F031K6
STM32F042K6T6	NUCLEO-F042K6
STM32F303K8T6	NUCLEO-F303K8
STM32L031K6T6	NUCLEO-L031K6

The meaning of NUCLEO-TXXXKY codification is as follows:

- TXXX describes the STM32 product line (T for F or L)
- K describes the pin count (K for 32 pins)
- Y describes the code size (8 for 64K, 6 for 32K)

The last six characters (e.g.: L031K6) of this order code, are printed on a sticker placed at the top or bottom side of the board.

4 Conventions

[Table 2](#) provides the conventions used for the ON and OFF settings in the present document.

Table 2. ON/OFF conventions

Convention	Definition
Jumper JPx ON	Jumper fitted
Jumper JPx OFF	Jumper not fitted
Solder bridge SBx ON	SBx connections closed by solder or 0 ohm resistor
Solder bridge SBx OFF	SBx connections left open

In this document the reference is “STM32 Nucleo-32 board” for all information that is common to all sale types.

5 Quick start

The STM32 Nucleo-32 board is a low-cost and easy-to-use development kit used to quickly evaluate and start a development with an STM32 microcontroller in LQFP32 or UFQFPN32 package.

Before installing and using the product, accept the Evaluation Product License Agreement that can be found at www.st.com/epl.

For more information on the STM32 Nucleo-32 board and to access the demonstration software, visit the www.st.com/stm32nucleo webpage.

5.1 Getting started

Follow the sequence below, to configure the STM32 Nucleo-32 board and launch the demonstration software:

- Check solder bridge position on the board, SB1 OFF, SB14 ON (internal regulator), JP1 ON (IDD) selected.
- For a correct identification of all device interfaces from the host PC and before connecting the board, install the Nucleo USB driver, available at www.st.com/stm32nucleo.
- Connect the Nucleo-32 board to a PC with a USB cable 'type A to Micro-B' through USB connector CN1 to power the board. The red LED LD2 (PWR) and LD1 (COM) light up and green LED LD3 blinks.
- Remove the jumper placed between D2 (CN3 pin 5) and GND (CN3 pin 4).
- Observe how the blinking frequency of the green LED LD3 changes, when the jumper is in place or when it is removed.
- The demonstration software and several software examples on how to use the Nucleo-32 board features, are available at www.st.com/stm32nucleo webpage.
- Develop your own application using available examples.

5.2 System requirements

- Windows (XP, 7, 8)
- USB type A to Micro-B USB cable

6 Hardware layout and configuration

The Nucleo-32 board is based on a 32-pin STM32 microcontroller in LQFP or UFQFPN package.

Figure 2 illustrates the connections between the STM32 and its peripherals (ST-LINK/V2-1, push button, LED, and Arduino Nano connectors).

Figure 3: Top layout view of the Nucleo-32 board and *Figure 4: Bottom layout view of the Nucleo-32 board* show the location of these features on the Nucleo-32 board.

Figure 2. Hardware block diagram

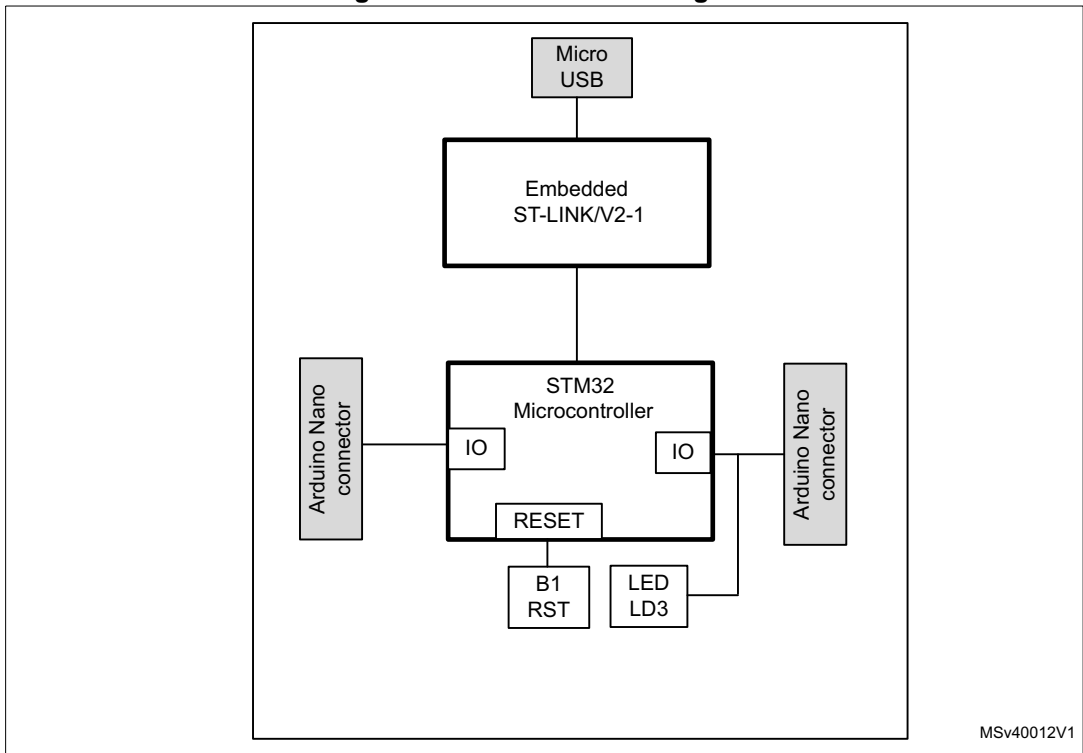


Figure 3. Top layout view of the Nucleo-32 board

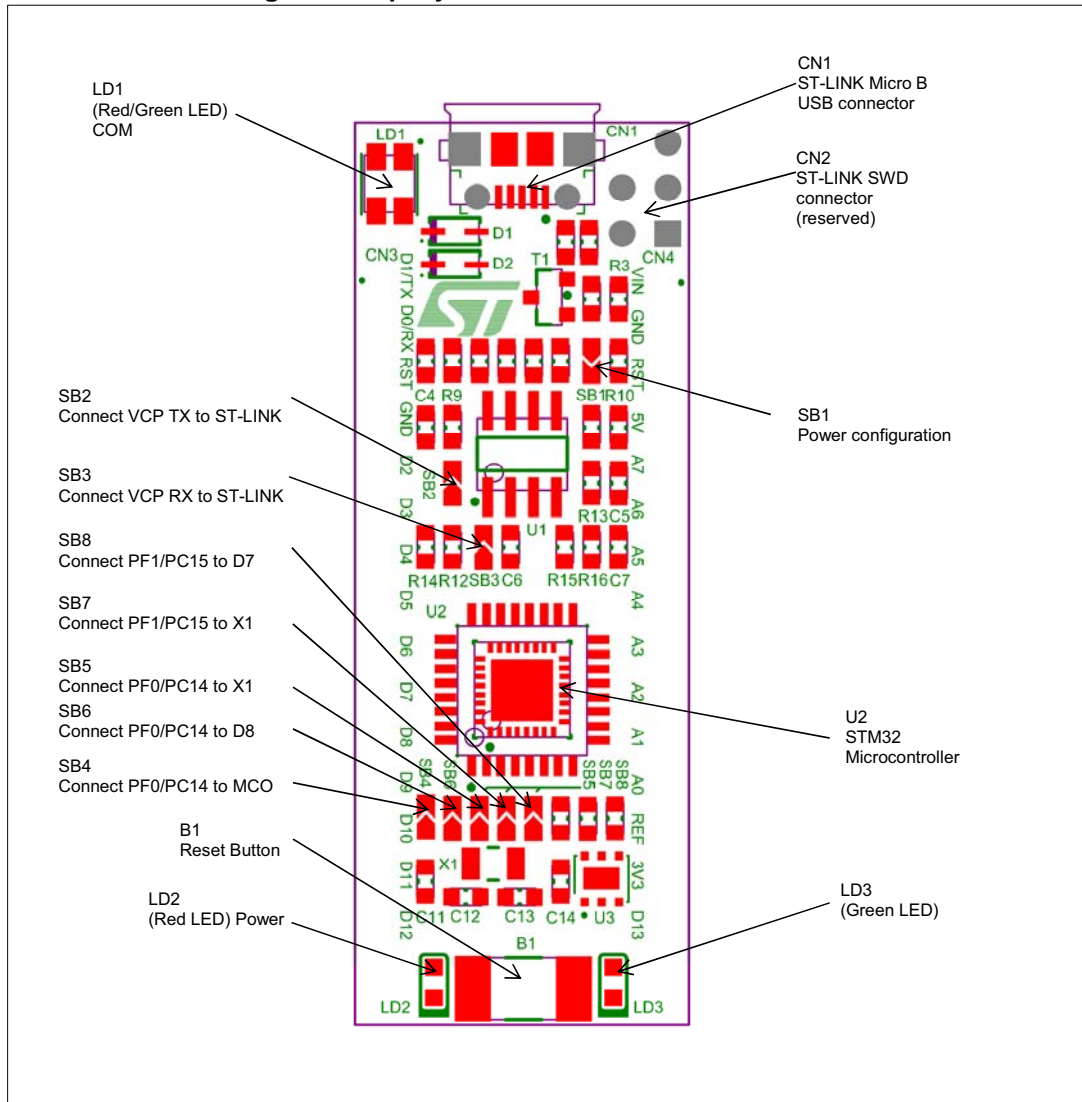
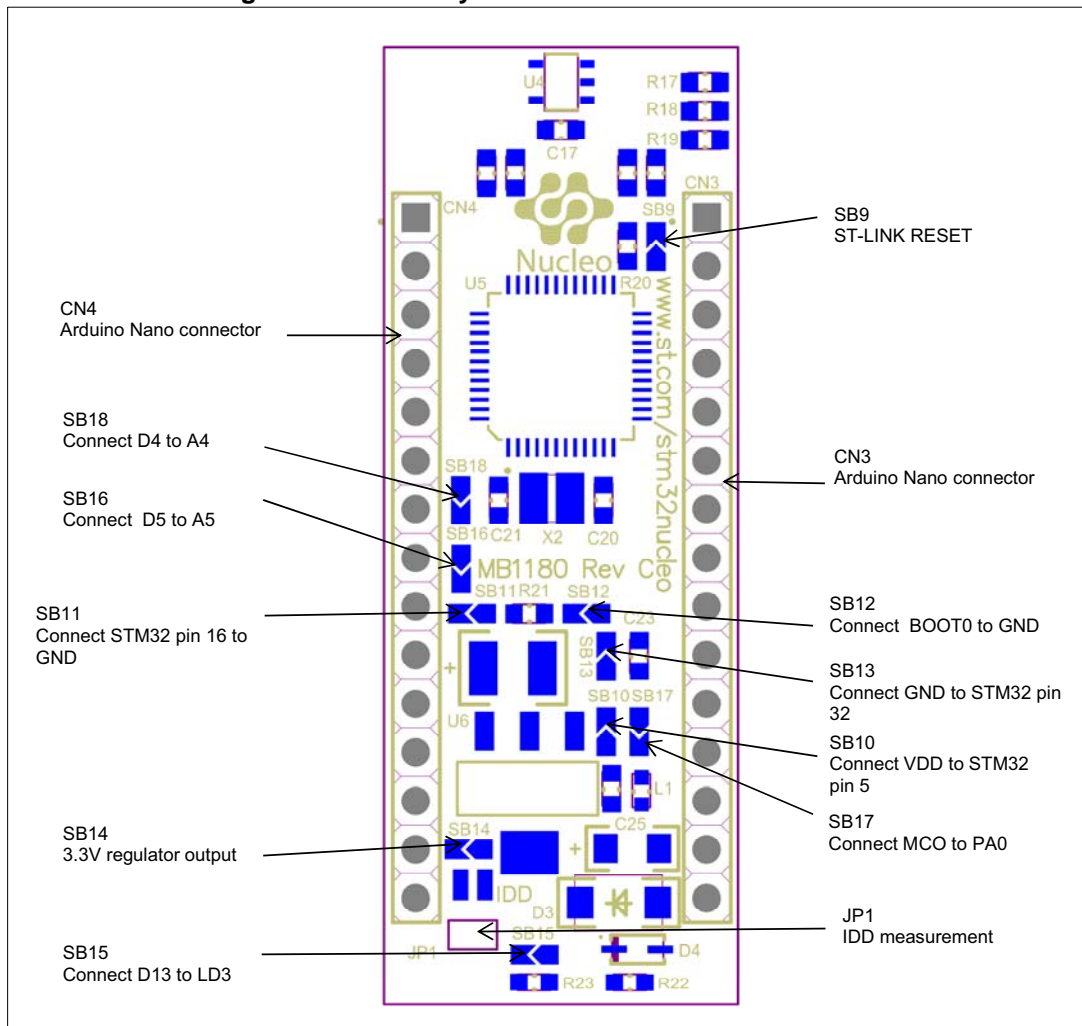


Figure 4. Bottom layout view of the Nucleo-32 board



6.1 Embedded ST-LINK/V2-1

The ST-LINK/V2-1 programming and debugging tool is integrated in the Nucleo-32 board. The ST-LINK/V2-1 makes the Nucleo-32 board mbed enabled.

The embedded ST-LINK/V2-1 supports only the SWD for STM32 devices. For information about debugging and programming features refer to: *ST-LINK/V2 in-circuit debugger/programmer for STM8 and STM32* (UM1075 User manual), which describes in detail all the ST-LINK/V2 features.

The new features supported by ST-LINK/V2-1 versus ST-LINK/V2 are:

- USB software re-enumeration
- Virtual com port interface on USB
- Mass storage interface on USB
- USB power management request for more than 100mA power on USB

The features not supported on ST-LINK/V2-1 are:

- SWIM interface
- Minimum supported application voltage limited to 3V

Known limitation:

- Activating the readout protection on the STM32 target, prevents the target application from running afterwards. The target readout protection must be kept disabled on ST-LINK/V2-1 boards.

The embedded ST-LINK/V2-1 is directly connected to the SWD port of the target STM32.

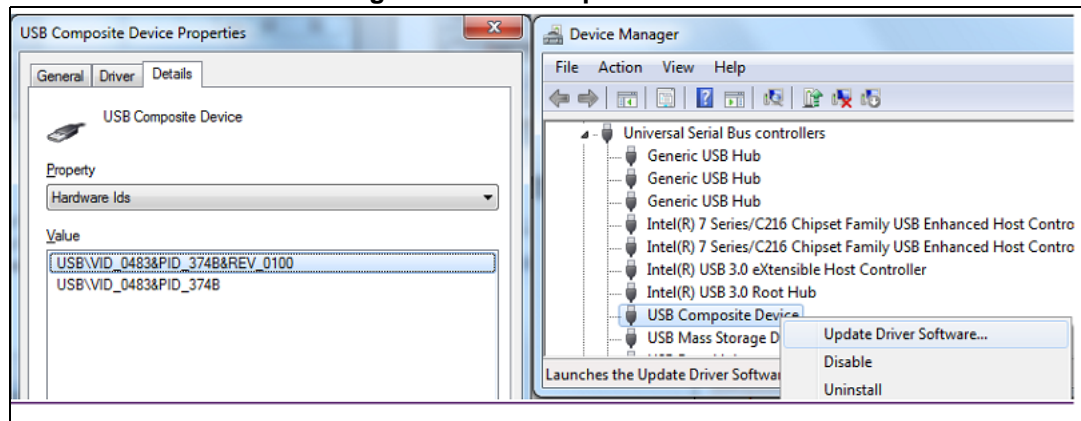
6.1.1 Drivers

The ST-LINK/V2-1 requires a dedicated USB driver, which, for Windows XP, 7 and 8, can be found at www.st.com.

In case the STM32 Nucleo board is connected to the PC before the driver is installed, some Nucleo interfaces may be declared as “Unknown” in the PC device manager. In this case the user must install the driver files (refer to [Figure 5](#)) and from the device manager update the driver of the connected device.

Note: Prefer using the “USB Composite Device” handle for a full recovery.

Figure 5. USB composite device



6.1.2 ST-LINK/V2-1 firmware upgrade

The ST-LINK/V2-1 embeds a firmware upgrade mechanism for in-situ upgrade through the USB port. As the firmware may evolve during the life time of the ST-LINK/V2-1 product (for example new functionalities added, bug fixes, support for new microcontroller families), it is recommended to visit www.st.com before starting to use the STM32 Nucleo-32 board and periodically, to stay up-to-date with the latest firmware version.

6.2 Power supply and power selection

The power supply is provided either by the host PC through the USB cable, or by an external source: VIN (7V-12V), +5V (5V) or +3V3 power supply pins on CN4. In case VIN, +5V or +3V3 is used to power the Nucleo-32 board, this power source must comply with the standard EN-60950-1: 2006+A11/2009, and must be Safety Extra Low Voltage (SELV) with limited power capability.

In case the power supply is +3V3, the ST-LINK is not powered and cannot be used.

6.2.1 Power supply input from USB connector

The Nucleo-32 board and shield board can be powered from the ST-LINK USB connector CN1. Note that only the ST-LINK part is power supplied before the USB enumeration, as host PC only provides 100 mA to the boards at that time. During the USB enumeration, the Nucleo-32 board requires 300 mA of current to the host PC. If the host is able to provide the required power, the targeted STM32 microcontroller is powered and the red LED LD2 is turned ON, thus the Nucleo-32 board and its shield can consume a maximum of 300 mA current and not more. If the host is not able to provide the required current, the targeted STM32 microcontroller and the shield board are not power supplied. As a consequence the red LED LD2 stays turned OFF. In such case it is mandatory to use an external power supply as explained in the next [Section 6.2.2: External power supply inputs](#).

SB1 is configured according to the maximum current consumption of the board. SB1 can be set ON to inform the host PC that the maximum current consumption does not exceed 100 mA (even when Arduino Nano shield is plugged). In such condition USB enumeration will always succeed since no more than 100 mA is requested to the host PC. Possible configurations of SB1 are summarized in [Table 3](#).

Table 3. SB1 configuration

Solder bridge state	Power supply	Allowed current
SB1 OFF (default)	USB power through CN1	300mA max
SB1 ON		100mA max
SB1 (ON/OFF)	VIN, +3V3 or +5V power	For current limitation refer to Table 4

Warning: If the maximum current consumption of the Nucleo-32 board and its shield board exceed 300 mA, it is mandatory to power the Nucleo-32 board, using an external power supply connected to VIN, +5V or +3V3.

Note: In case the board is powered by a USB charger, there is no USB enumeration, so the LED LD2 remains set to OFF permanently and the target STM32 is not powered. In this specific case the SB1 must be set ON, to allow the target STM32 to be powered anyway.

6.2.2 External power supply inputs

The Nucleo-32 board and its shields boards can be powered in three different ways from an external power supply, depending on the voltage used. The three power sources are summarized in the [Table 4](#).

Table 4. External power sources

Input power name	Connector pin	Voltage range	Max current	Limitation
VIN	CN4 pin 1	7V to 12V	800mA	From 7V to 12V only and input current capability is linked to input voltage: 800mA input current when VIN=7V 450mA input current when 7V<VIN<9V 300mA input current when 10V>VIN>9V less than 300mA input current when VIN>10V
+5V	CN4 pin 4	4.75V to 5.25V	500mA	ST-LINK not powered
+3V3	CN4 pin 14	3V to 3.6V	-	ST-LINK not powered and SB14 and SB9 must be OFF.

VIN or +5V power supply

When powered from VIN or +5V, it is still possible to use ST-LINK for communication for programming or debugging only, but it is mandatory to power the board first, using VIN or +5V, then to connect the USB cable to the PC. By this way the enumeration will succeed anyway, thanks to the external power source.

The following power sequence procedure must be respected:

1. Check that SB1 is OFF
2. Connect the external power source to VIN or +5V
3. Power on the external power supply 7V< VIN < 12V to VIN, or 5V for +5V
4. Check red LED LD2 is turned ON
5. Connect the PC to USB connector CN1

If this order is not respected, the board may be powered by VBUS first, then by VIN or +5V, as the following risks may be encountered:

1. If more than 300 mA current is needed by the board, the PC may be damaged or current supply can be limited by PC. As a consequence the board is not powered correctly.
2. 300 mA is requested at enumeration (since SB1 must be OFF) so there is risk that request is rejected and enumeration does not succeed if the PC cannot provide such current. Consequently the board is not power supplied (LED LD2 remains OFF).

+3V3 power supply

Using the +3V3 (CN4 pin 14) directly as power input, can be interesting, for instance, in case the 3.3V is provided by a shield board. In this case the ST-LINK is not powered, thus programming and debug features are not available. When the board is powered by +3V3 (CN4 pin 14), the solder bridge SB14 and SB9 (NRST) must be OFF.

6.2.3 External power supply output

When powered by USB or VIN, the +5V (CN4 pin 4) can be used as output power supply for an Arduino Nano shield. In this case, the maximum current of the power source specified in [Table 4: External power sources](#) must be respected.

The +3.3V (CN4 pin 14) can be used also as power supply output. The current is limited by the maximum current capability of the regulator U3 (500 mA max).

6.3 LEDs

The tricolor LED (green, orange, red) LD1 (COM) provides information about ST-LINK communication status. LD1 default color is red. LD1 turns to green to indicate that communication is in progress between the PC and the ST-LINK/V2-1, with the following setup:

- Slow blinking red/off: at power-on before USB initialization
- Fast blinking red/off: after the first correct communication between PC and ST-LINK/V2-1 (enumeration)
- Red on: when initialization between PC and ST-LINK/V2-1 is completed
- Green on: after a successful target communication initialization
- Blinking red/green: during communication with target
- Green on: communication finished and successful
- Orange on: communication failure

User LD3: the green LED is a user LED connected to Arduino Nano signal D13 corresponding to STM32 I/O PB3 (Pin 26). Refer to [Table 8](#), [Table 9](#) and [Table 10](#) for concerned STM32:

- When the I/O is HIGH value, the LED is on
- When the I/O is LOW, the LED is off

PWR LD2: the red LED indicates that the STM32 part is powered and +5V power is available.

6.4 Push button

B1 RESET: the push button is connected to NRST, and it is used to reset the STM32.

6.5 JP1 (IDD)

JP1, labeled IDD, is used to measure the STM32 microcontroller consumption by removing the jumper and connecting an ammeter.

- JP1 ON: STM32 is powered (default).
- JP1 OFF: an ammeter must be connected to measure STM32 current.

If there is no ammeter, STM32 is not powered.

6.6 OSC clock

U2 pin 2 and pin 3 can be used as OSC clock input or can be used as Arduino Nano D8 and D7 GPIO. There are four ways to configure the pins corresponding to different STM32 MCUs and clock usage (refer to [Table 5](#)).

Table 5. OSC clock configurations

Solder bridge					STM32	Clock configuration
SB4	SB17	SB6	SB8	SB5 and SB7		
ON	OFF	OFF	ON	OFF	STM32Fxxx	MCO from ST-LINK connected to OSCIN (PF0) ⁽¹⁾
OFF	OFF	ON	ON	OFF		HSI configuration (default configuration)
OFF	ON	OFF	OFF	OFF	STM32Lxxx	MCO from ST-LINK connected to CKIN (PA0) ⁽¹⁾
OFF	OFF	OFF	OFF	ON		32K LSE mounted on X1 (default configuration)
OFF	OFF	ON	ON/OFF	OFF	All	Arduino Nano D7 connected to PF0 / PC14
OFF	OFF	ON/OFF	ON	OFF		Arduino Nano D8 connected to PF1 / PC15

1. In applications, where VCP is used for communication at speed higher than 9600 bauds, it may be needed to use this solder bridge configuration, to use 8MHz clock (MCO from ST-LINK) to get a more precise frequency.

Boards with STM32Lxxx are delivered with 32.768 KHz crystal (X1). Associated capacitors and solder bridges (C12, C13, SB4 to SB8) are configured to support LSE by default.

Boards with STM32Fxxx are delivered without crystal (X1). Associated capacitors (C12,C13) are not populated and SB4 to SB8 are configured to support HSI by default.

6.7 USART virtual communication

Thanks to SB2 and SB3, the USART interface of STM32 available on PA2 (TX) and PA15 (RX), can be connected to ST-LINK/V2-1. When USART is not used it is possible to use PA2 as Arduino Nano A7. Refer to [Table 6](#).

Table 6. Virtual communication configuration

Bridge	State (1)	Description
SB2	OFF	PA2 is connected to CN4 pin 5 as Arduino Nano Analog input A7 and disconnected from ST-LINK USART.
	ON	PA2 is connected to ST-LINK as Virtual com TX (default).
SB3	OFF	PA15 is not connected.
	ON	PA15 is connected to ST-LINK as Virtual com RX (default).

1. The default configuration is reported in bold style.

6.8 Solder bridges

Table 7. Solder bridges

Bridge	State (1)	Description
SB10 (VREF+)	ON	VREF+ on STM32 is connected to VDD.
	OFF	VREF+ on STM32 is not connected to VDD and is provided by pin 13 of CN4.
SB15 (LD3-LED)	ON	Green user LED LD3 is connected to D13 of Arduino Nano signal.
	OFF	Green user LED LD3 is not connected.
SB9 (NRST)	ON	The NRST signal of ST-LINK is connected to the NRST pin of the STM32.
	OFF	The NRST signal of ST-LINK is not connected to the NRST pin of the STM32, when used external power (+3V3, +5V) as power supply.
SB11(PB2/VSS)	ON	Pin 16 of STM32 (U2) is connected to VSS.
	OFF	Pin 16 of STM32 (U2) is not connected to VSS, and used as GPIO PB2 for STM32F031.
SB13(PB8/VSS)	ON	Pin 32 of STM32 (U2) is connected to VSS.
	OFF	Pin 32 of STM32 (U2) is not connected to VSS, and used as GPIO PB8 for STM32F031.
SB12(PB8 /BOOT0)	ON	Pin 31 of STM32 (U2) is connected to GND via 10K pull-down and used as BOOT0.
	OFF	Pin 16 of STM32 (U2) is not connected and is GPIO PB8 for STM32F042.
SB16	ON	STM32 PB6 is connected to CN4 pin 7 for I2C SDA support on Arduino Nano A5. In such case STM32 PB6 does not support Arduino Nano D5 and PA6 must configured as Input floating.
	OFF	CN4 pin 7 is used as Arduino Nano analog input A5 without I2C support and CN3 pin 8 is available as Arduino Nano D5.

Table 7. Solder bridges (continued)

Bridge	State (1)	Description
SB18	ON	STM32 PB7 is connected to CN4 pin 8 for I2C SCL support on Arduino Nano A4. In such case STM32 PB7 does not support Arduino Nano D4 and PA5 must be configured as input floating.
	OFF	CN4 pin 8 is used as Arduino Nano analog input A4 without I2C support and CN3 pin 7 is available as Arduino Nano D4.

1. The default configuration is reported in bold style.

6.9 Arduino Nano connectors

CN3 and CN4 are male connectors compatible with Arduino Nano standard. Most shields designed for Arduino Nano can fit to the STM32 Nucleo-32 board.

Caution: The I/Os of STM32 are 3.3 V compatible instead of 5 V for Arduino Nano.

[Table 8](#), [Table 9](#), [Table 10](#) and [Table 11](#) show the pin assignments of each STM32 on Arduino Nano connectors.

[Figure 6](#) and [Figure 7](#) show Arduino Nano connectors assignment for NUCLEO-F031K6, NUCLEO-F042K6, NUCLEO-F303K8 and NUCLEO-L031K6.

Table 8. Arduino Nano connectors on NUCLEO-F031K6

Connector	Pin number	Pin name	STM32 pin	Function
Left connector				
CN3	1	D1	PA9	USART1_TX ⁽¹⁾
	2	D0	PA10	USART1_RX ⁽¹⁾
	3	RESET	NRST	RESET
	4	GND	-	Ground
	5	D2	PA12	-
	6	D3	PB0	TIM3_CH3
	7	D4 ⁽⁵⁾	PB7	-
	8	D5 ⁽⁵⁾	PB6	TIM16_CH1N ⁽²⁾
	9	D6	PB1	TIM14_CH1
	10	D7 ⁽³⁾	PF0	-
	11	D8 ⁽³⁾	PF1	-
	12	D9	PA8	TIM1_CH1
	13	D10	PA11	SPI_CS ⁽⁴⁾ TIM1_CH4
	14	D11	PB5	SPI1_MOSI TIM3_CH2
	15	D12	PB4	SPI1_MISO
Right connector				
CN4	1	VIN	-	Power input

Table 8. Arduino Nano connectors on NUCLEO-F031K6 (continued)

Connector	Pin number	Pin name	STM32 pin	Function
CN4	2	GND	-	Ground
	3	RESET	NRST	RESET
	4	+5V	-	5V input/output
	5	A7	PA2	ADC_IN2
	6	A6	PA7	ADC_IN7
	7	A5 ⁽⁵⁾	PA6	ADC_IN6 I2C1_SCL
	8	A4 ⁽⁵⁾	PA5	ADC_IN5 I2C1_SDA
	9	A3	PA4	ADC_IN4
	10	A2	PA3	ADC_IN3
	11	A1	PA1	ADC_IN1
	12	A0	PA0	ADC_IN0
	13	AREF	-	AVDD
	14	+3V3	-	3.3V input/output
	15	D13	PB3	SPI1_SCK

1. Only one USART is available and it is shared between Arduino Nano and VCP. The selection is done by remapping (no need to change the hardware configuration).
2. D5 PWM on inverted channel Timer 16.
3. D7/D8 shared with OSC_IN/OSC_OUT.
4. SPI_CS is made by GPIO.
5. Limitations on A4 and A5, D4 and D5 related to I2C configuration are explained in [Section 6.8: Solder bridges](#) according to SB16/SB18 setting.

Table 9. Arduino Nano connectors on NUCLEO-F042K6

Connector	Pin number	Pin name	STM32 pin	Function
Left connector				
CN3	1	D1	PA9	USART1_TX
	2	D0	PA10	USART1_RX
	3	RESET	NRST	RESET
	4	GND	-	Ground
	5	D2	PA12	-
	6	D3	PB0	TIM3_CH3
	7	D4 ⁽¹⁾	PB7	-
	8	D5 ⁽¹⁾	PB6	TIM16_CH1N ⁽²⁾

Table 9. Arduino Nano connectors on NUCLEO-F042K6 (continued)

Connector	Pin number	Pin name	STM32 pin	Function
CN3	9	D6	PB1	TIM14_CH1
	10	D7 ⁽³⁾	PF0	-
	11	D8 ⁽³⁾	PF1	-
	12	D9	PA8	TIM1_CH1
	13	D10	PA11	SPI_CS ⁽⁴⁾ TIM1_CH4
	14	D11	PB5	SPI1_MOSI TIM3_CH2
	15	D12	PB4	SPI1_MISO
Right connector				
CN4	1	VIN	-	Power input
	2	GND	-	Ground
	3	RESET	NRST	RESET
	4	+5V	-	5V input/output
	5	A7	PA2	ADC_IN2 ⁽⁵⁾
	6	A6	PA7	ADC_IN7
	7	A5 ⁽¹⁾	PA6	ADC_IN6 I2C1_SCL
	8	A4 ⁽¹⁾	PA5	ADC_IN5 I2C1_SDA
	9	A3	PA4	ADC_IN4
	10	A2	PA3	ADC_IN3
	11	A1	PA1	ADC_IN1
	12	A0	PA0	ADC_IN0
	13	AREF	-	AVDD
	14	+3V3	-	3.3V input/output
	15	D13	PB3	SPI1_SCK

1. Limitations on A4 and A5, D4 and D5 related to I2C configuration are explained in [Section 6.8: Solder bridges](#) according to SB16/SB18 setting.
2. D5 PWM on inverted channel Timer 16.
3. D7/D8 shared with OSC_IN/OSC_OUT.
4. SPI_CS is made by GPIO.
5. A7 exclusive with VCP_TX.

Table 10. Arduino Nano connectors on NUCLEO-F303K8

Connector	Pin number	Pin name	STM32 pin	Function
Left connector				
CN3	1	D1	PA9	USART1_TX
	2	D0	PA10	USART1_RX
	3	RESET	NRST	RESET
	4	GND	-	Ground
	5	D2	PA12	-
	6	D3	PB0	TIM3_CH3
	7	D4 ⁽¹⁾	PB7	-
	8	D5 ⁽¹⁾	PB6	TIM16_CH1N ⁽²⁾
	9	D6	PB1	TIM3_CH4
	10	D7 ⁽³⁾	PF0	-
	11	D8 ⁽³⁾	PF1	-
	12	D9	PA8	TIM1_CH1
	13	D10	PA11	SPI_CS ⁽⁴⁾ TIM1_CH4
	14	D11	PB5	SPI1_MOSI TIM17_CH1
	15	D12	PB4	SPI1_MISO
Right connector				
CN4	1	VIN	-	Power input
	2	GND	-	Ground
	3	RESET	NRST	RESET
	4	+5V	-	5V input/output
	5	A7	PA2	ADC1_IN3 ⁽⁵⁾
	6	A6	PA7	ADC2_IN4
	7	A5 ⁽¹⁾	PA6	ADC2_IN3 I2C1_SCL
	8	A4 ⁽¹⁾	PA5	ADC2_IN2 I2C1_SDA
	9	A3	PA4	ADC2_IN1
	10	A2	PA3	ADC1_IN4
	11	A1	PA1	ADC1_IN2
	12	A0	PA0	ADC1_IN1
	13	AREF	-	AVDD
	14	+3V3	-	3.3V input/output
	15	D13	PB3	SPI1_SCK

1. Limitations on A4 and A5, D4 and D5 related to I2C configuration are explained in [Section 6.8: Solder bridges](#) according to SB16/SB18 setting.
2. D5 PWM on inverted channel Timer 16.
3. D7/D8 shared with OSC_IN/OSC_OUT.
4. SPI_CS is made by GPIO.
5. A7 exclusive with VCP_TX.

Table 11. Arduino Nano connectors on NUCLEO-L031K6

Connector	Pin number	Pin name	STM32 Pin	Function
Left connector				
CN3	1	D1	PA9	USART2_TX ⁽¹⁾
	2	D0	PA10	USART2_RX ⁽¹⁾
	3	RESET	NRST	RESET
	4	GND	-	Ground
	5	D2	PA12	-
	6	D3	PB0	TIM2_CH3
	7	D4 ⁽²⁾	PB7	-
	8	D5 ⁽²⁾	PB6	TIM21_CH1
	9	D6	PB1	TIM2_CH4
	10	D7 ⁽³⁾	PC14	-
	11	D8 ⁽³⁾	PC15	-
	12	D9	PA8	TIM2_CH1
	13	D10	PA11	SPI_CS ⁽⁴⁾ TIM21_CH2
	14	D11	PB5	SPI1_MOSI TIM22_CH2
	15	D12	PB4	SPI1_MISO
Right connector				
CN4	1	VIN	-	Power input
	2	GND	-	Ground
	3	RESET	NRST	RESET
	4	+5V	-	5V input/output
	5	A7	PA2	ADC_IN2 ⁽⁵⁾
	6	A6	PA7	ADC_IN7
	7	A5 ⁽²⁾	PA6	ADC_IN6 I2C1_SCL
	8	A4 ⁽²⁾	PA5	ADC_IN5 I2C1_SDA
	9	A3	PA4	ADC_IN4
	10	A2	PA3	ADC_IN3
	11	A1	PA1	ADC_IN1
CN4	12	A0	PA0	ADC_IN0
	13	AREF	-	AVDD
	14	+3V3	-	3.3V input/output
	15	D13	PB3	SPI1_SCK

1. Only one USART is available and it is shared between Arduino Nano and VCP. the selection is done by remapping (no hardware configuration to change).
2. Limitations on A4 and A5, D4 and D5 related to I2C configuration are explained in [Section 6.8: Solder bridges](#) according to SB16/SB18 setting.
3. D7/D8 shared with OSC32_IN/OSC32_OUT.
4. SPI_CS is made by GPIO.
5. PA2 exclusive with VCP_TX.

Figure 6. NUCLEO-F031K6, NUCLEO-F042K6, NUCLEO-F303K8 pin assignment

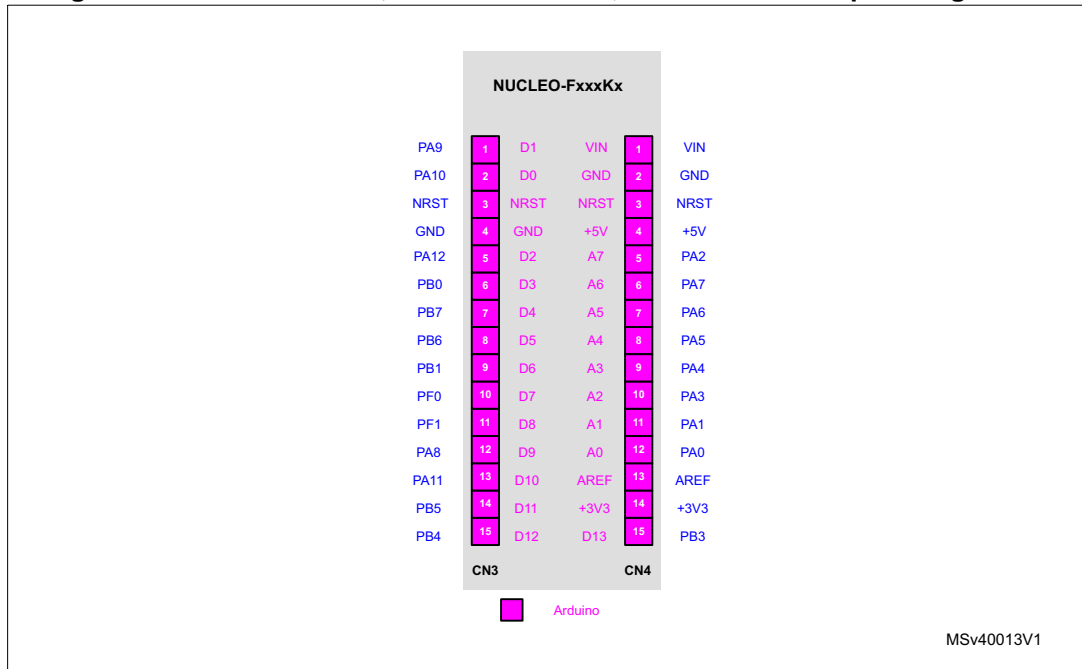
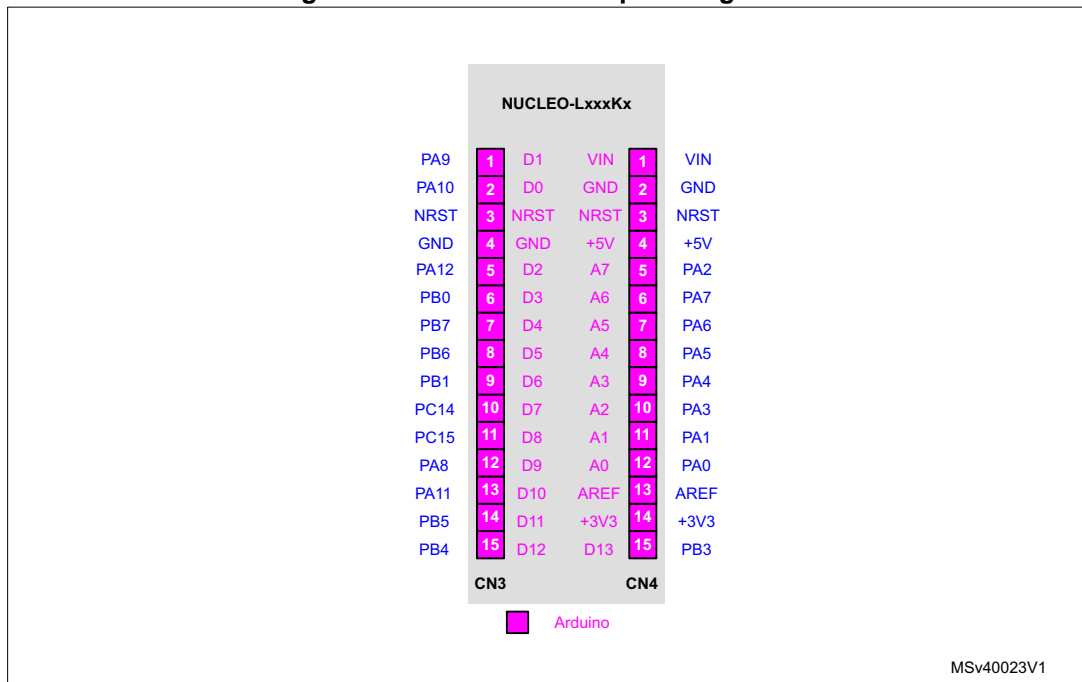


Figure 7. NUCLEO-L031K6 pin assignment





7

Electrical schematics

Figure 8. Nucleo-32 board top view

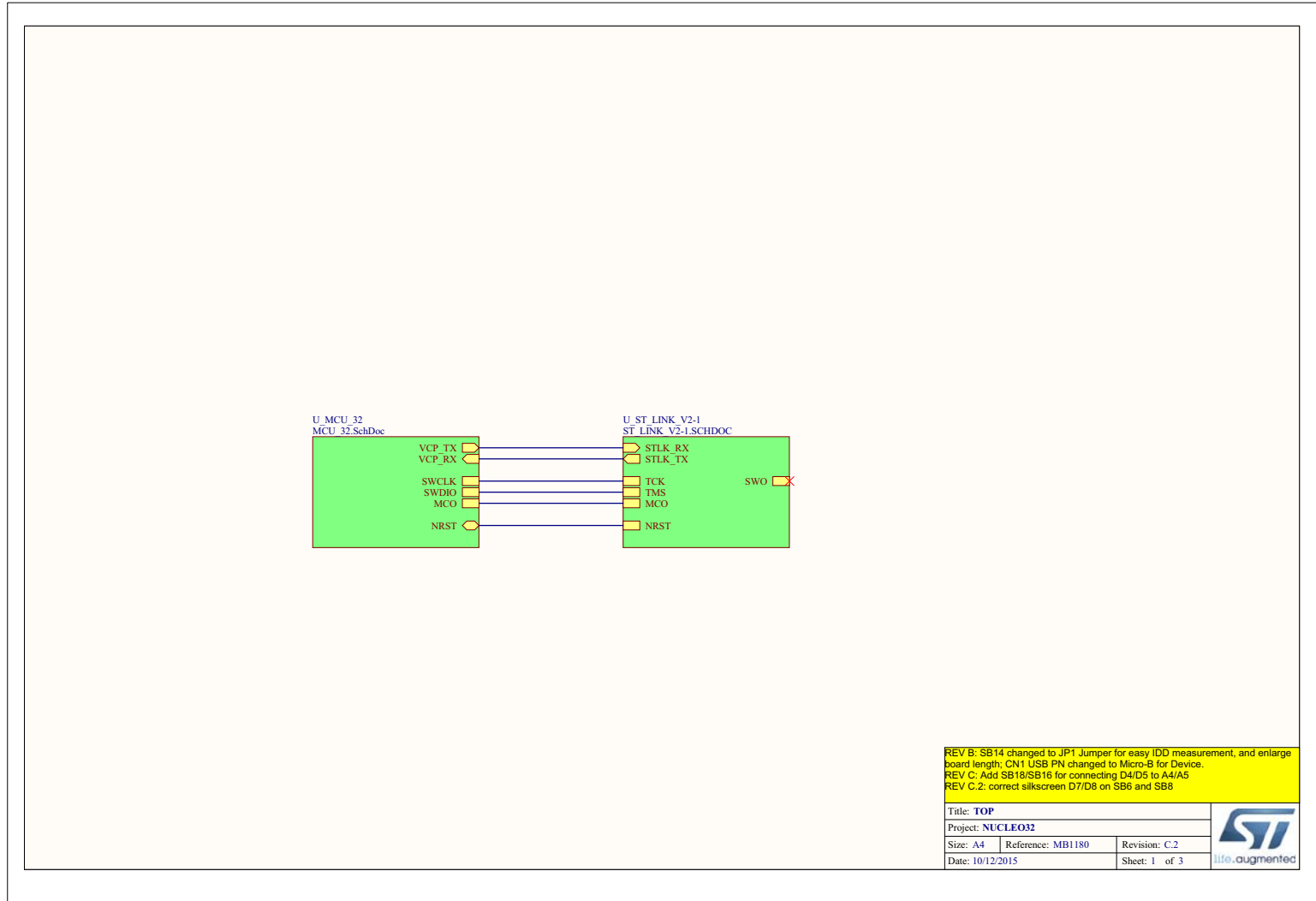
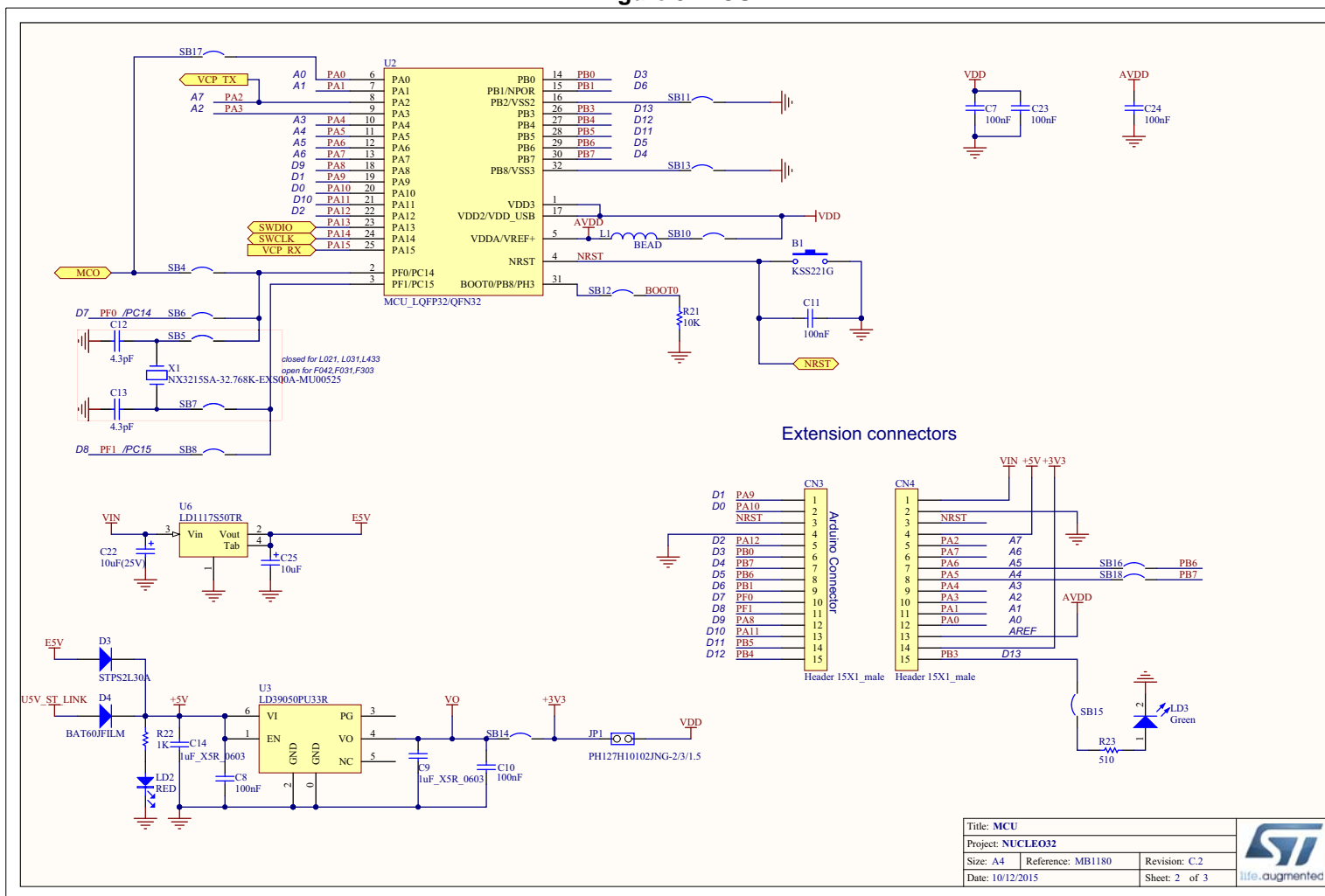


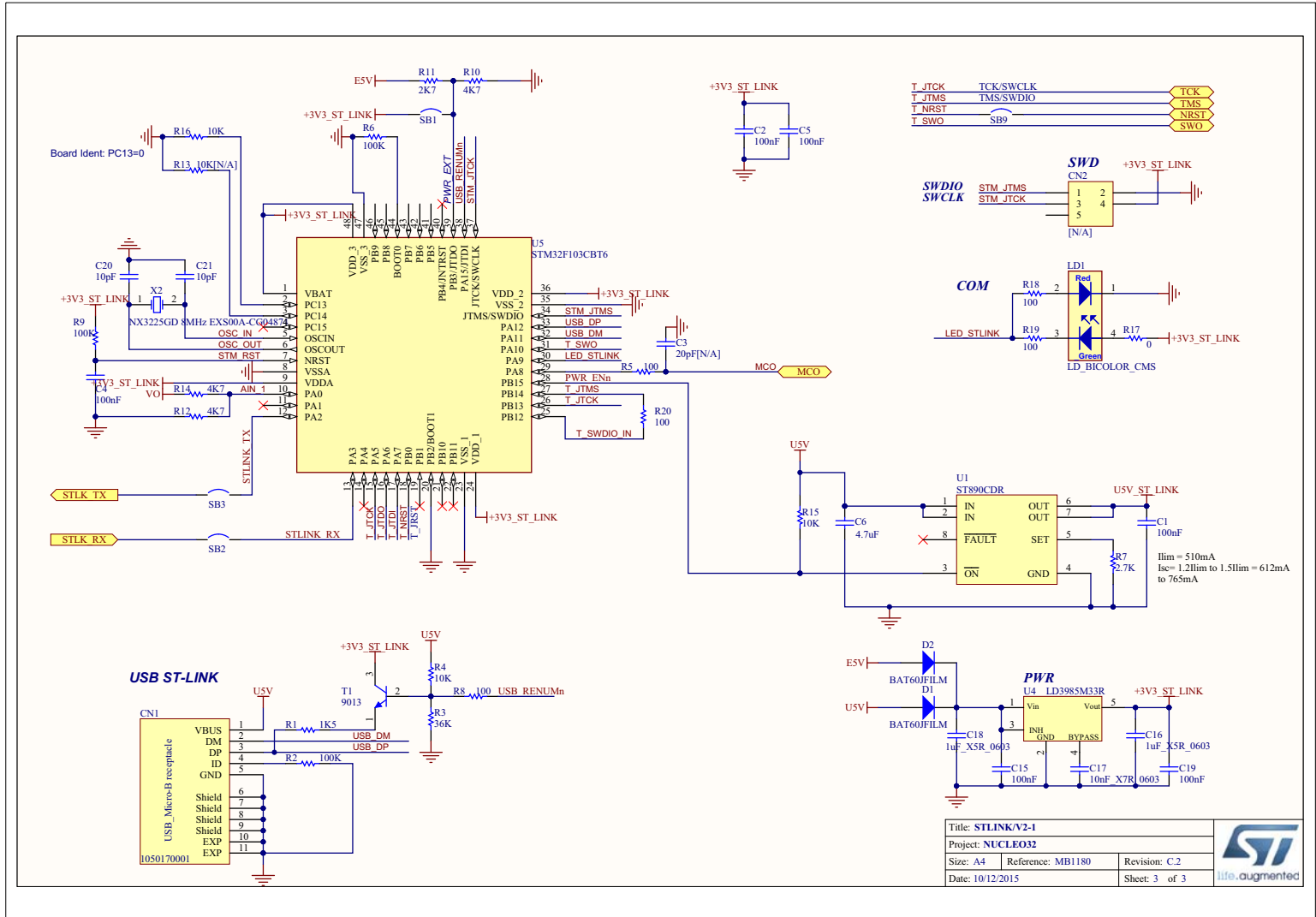
Figure 9. MCU



Title: MCU			
Project: NUCLEO32			
Size: A4	Reference: MB1180		Revision: C.2
Date: 10/12/2015	Sheet: 2 of 3		

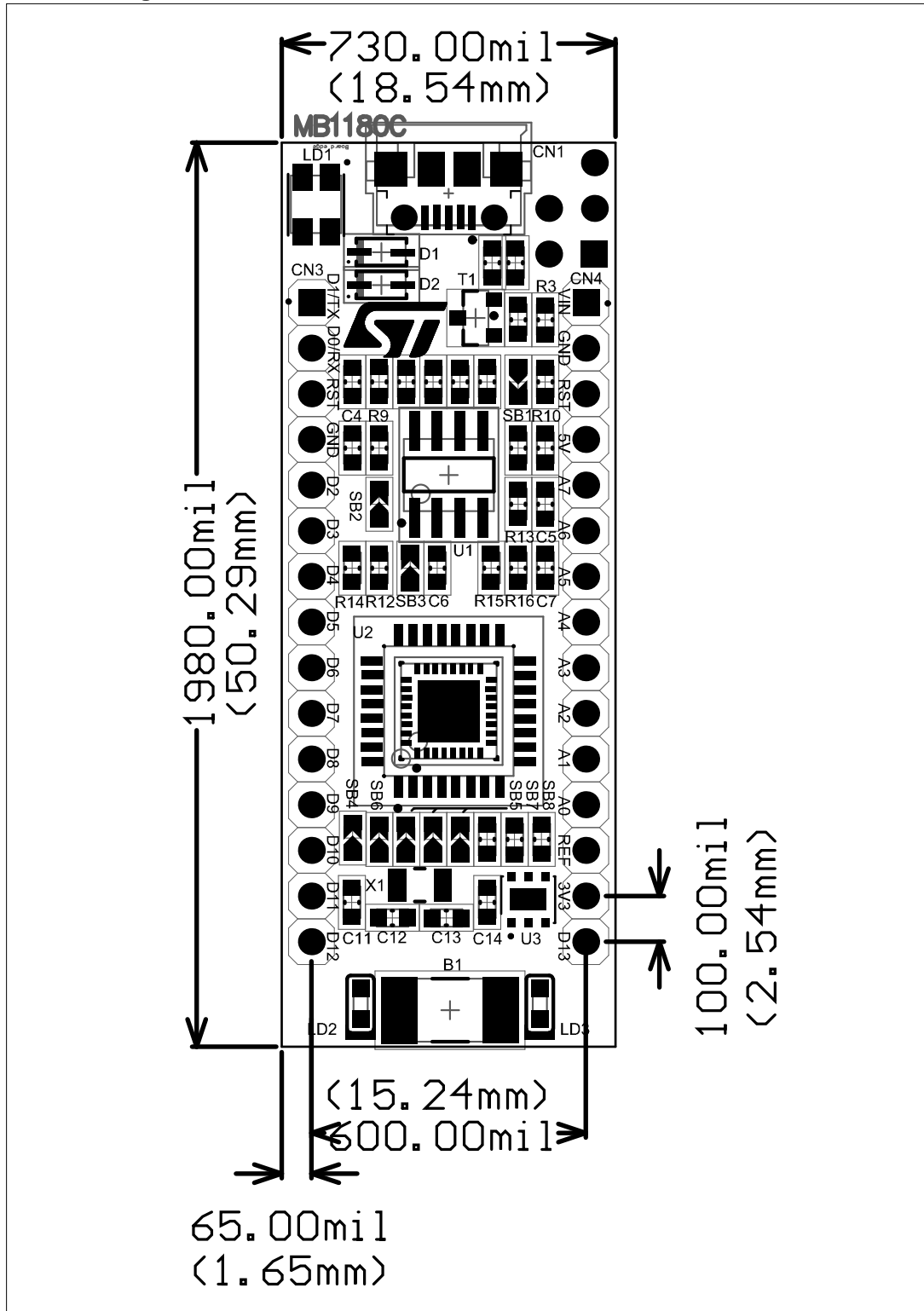


Figure 10. ST-LINK/V2-1



Appendix A Mechanical dimensions

Figure 11. Nucleo-32 board mechanical dimensions in millimeter



8 Revision history

Table 12. Document revision history

Date	Revision	Revision Details
14-Oct-2015	1	Initial version.

IMPORTANT NOTICE – PLEASE READ CAREFULLY

STMicroelectronics NV and its subsidiaries ("ST") reserve the right to make changes, corrections, enhancements, modifications, and improvements to ST products and/or to this document at any time without notice. Purchasers should obtain the latest relevant information on ST products before placing orders. ST products are sold pursuant to ST's terms and conditions of sale in place at the time of order acknowledgement.

Purchasers are solely responsible for the choice, selection, and use of ST products and ST assumes no liability for application assistance or the design of Purchasers' products.

No license, express or implied, to any intellectual property right is granted by ST herein.

Resale of ST products with provisions different from the information set forth herein shall void any warranty granted by ST for such product.

ST and the ST logo are trademarks of ST. All other product or service names are the property of their respective owners.

Information in this document supersedes and replaces information previously supplied in any prior versions of this document.

© 2015 STMicroelectronics – All rights reserved

