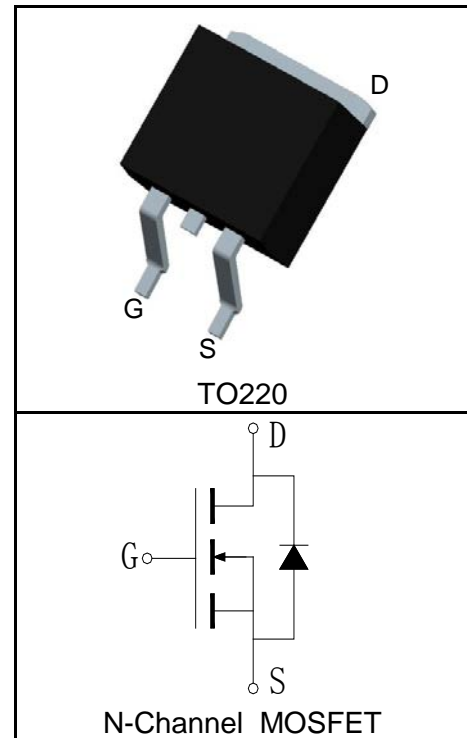


**Features**

- 200V/30A,  
RDS (ON) =75mΩ(Typ.) @ VGS=10V
- Ultra Low On-Resistance
- Fast Switching and Fully Avalanche Rated
- 100% avalanche tested
- 175°C Operating Temperature
- Lead Free and Green Available

**Applications**

- Switching Application Systems
- UPS

**Pin Description**

**Absolute Maximum Ratings**

Symbol	Parameter	Rating	Unit
<b>Common Ratings</b> ( $T_C=25^\circ\text{C}$ Unless Otherwise Noted)			
$V_{DSS}$	Drain-Source Voltage	200	V
$V_{GSS}$	Gate-Source Voltage	$\pm 25$	
$T_J$	Maximum Junction Temperature	175	$^\circ\text{C}$
$T_{STG}$	Storage Temperature Range	-55 to 175	$^\circ\text{C}$
$I_S$	Diode Continuous Forward Current	$T_C=25^\circ\text{C}$ 30	A
<b>Mounted on Large Heat Sink</b>			
$I_{DP}^{①}$	300 $\mu\text{s}$ Pulse Drain Current Tested	$T_C=25^\circ\text{C}$ 120	A
$I_D^{②}$	Continuous Drain Current( $V_{GS}=10\text{V}$ )	$T_C=25^\circ\text{C}$ 30	A
		$T_C=100^\circ\text{C}$ 23	
$P_D$	Maximum Power Dissipation	$T_C=25^\circ\text{C}$ 176	W
		$T_C=100^\circ\text{C}$ 88	
$R_{\theta JC}$	Thermal Resistance-Junction to Case	0.85	$^\circ\text{C}/\text{W}$
$R_{\theta JA}$	Thermal Resistance-Junction to Ambient	62.5	$^\circ\text{C}/\text{W}$
<b>Drain-Source Avalanche Ratings</b>			
$E_{AS}^{③}$	Avalanche Energy, Single Pulsed	81	mJ

**Electrical Characteristics** ( $T_C=25^\circ\text{C}$  Unless Otherwise Noted)

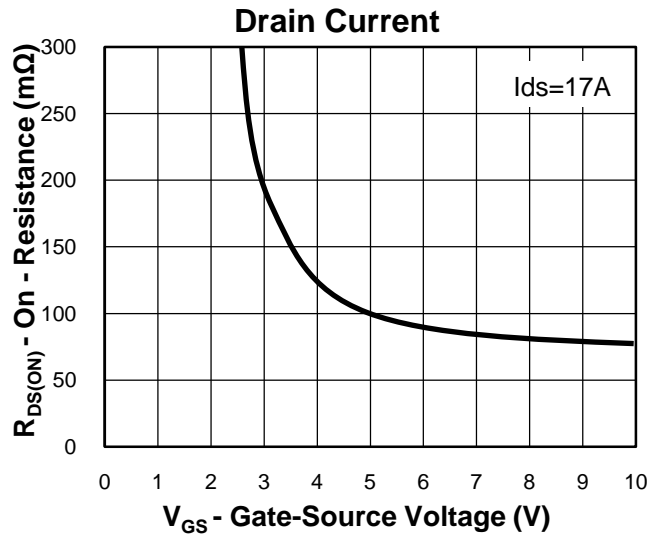
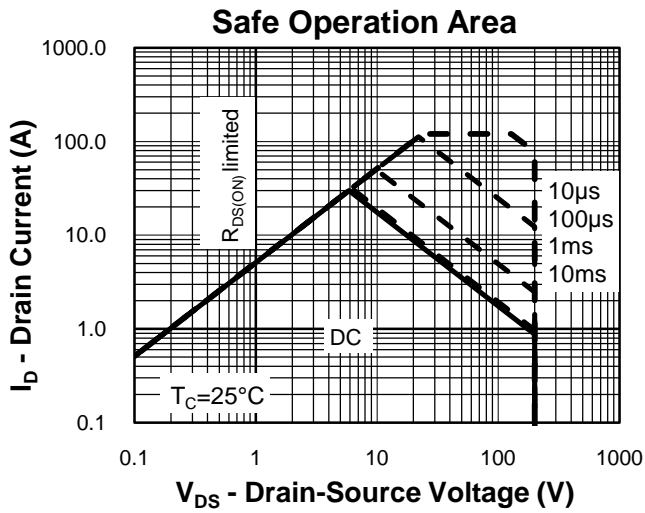
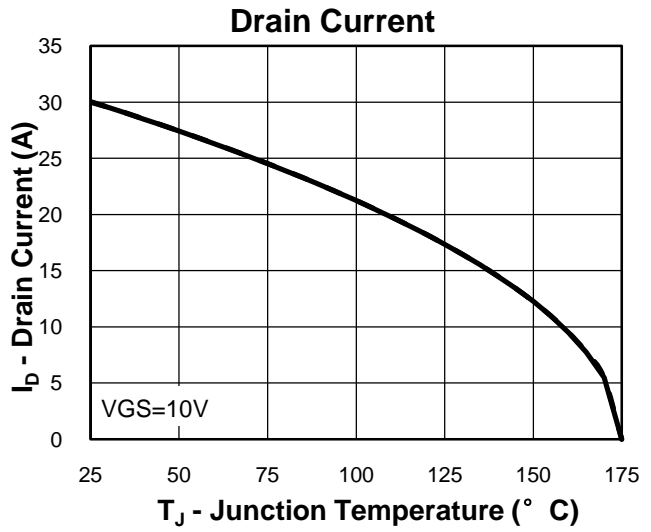
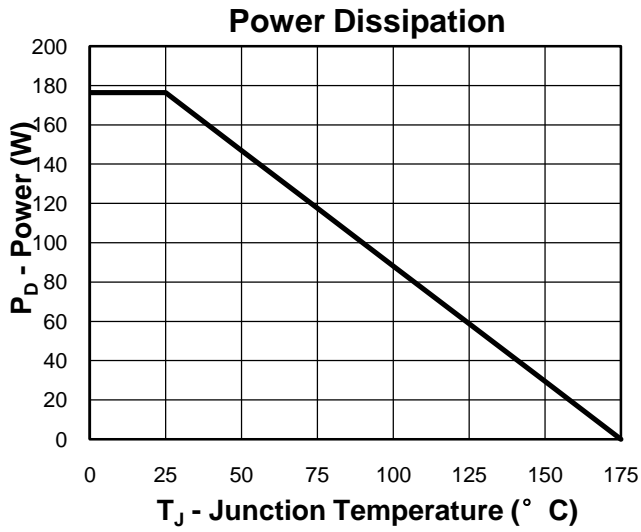
Symbol	Parameter	Test Condition	RU2H30S			Unit
			Min.	Typ.	Max.	
<b>Static Characteristics</b>						
$BV_{DSS}$	Drain-Source Breakdown Voltage	$V_{GS}=0V, I_{DS}=250\mu A$	200			V
$I_{DSS}$	Zero Gate Voltage Drain Current	$V_{DS}=200V, V_{GS}=0V$			1	$\mu A$
		$T_J=125^\circ C$			30	
$V_{GS(th)}$	Gate Threshold Voltage	$V_{DS}=V_{GS}, I_{DS}=250\mu A$	2		4	V
$I_{GSS}$	Gate Leakage Current	$V_{GS}=\pm 25V, V_{DS}=0V$			$\pm 100$	nA
$R_{DS(ON)}^{(4)}$	Drain-Source On-state Resistance	$V_{GS}=10V, I_{DS}=17A$		75	85	m $\Omega$
<b>Diode Characteristics</b>						
$V_{SD}^{(4)}$	Diode Forward Voltage	$I_{SD}=30A, V_{GS}=0V$			1.2	V
$t_{rr}$	Reverse Recovery Time	$I_{SD}=30A, di_{SD}/dt=100A/\mu s$		150		ns
$Q_{rr}$	Reverse Recovery Charge			125		nC
<b>Dynamic Characteristics</b> <sup>(5)</sup>						
$R_G$	Gate Resistance	$V_{GS}=0V, V_{DS}=0V, F=1MHz$		1		$\Omega$
$C_{iss}$	Input Capacitance	$V_{GS}=0V,$ $V_{DS}=100V,$ Frequency=1.0MHz		2140		pF
$C_{oss}$	Output Capacitance			308		
$C_{riss}$	Reverse Transfer Capacitance			78		
$t_{d(ON)}$	Turn-on Delay Time	$V_{DD}=100V, R_L=3\Omega,$ $I_{DS}=30A, V_{GEN}=10V,$ $R_G=6\Omega$		16		ns
$t_r$	Turn-on Rise Time			48		
$t_{d(OFF)}$	Turn-off Delay Time			38		
$t_f$	Turn-off Fall Time			33		
<b>Gate Charge Characteristics</b> <sup>(5)</sup>						
$Q_g$	Total Gate Charge	$V_{DS}=160V, V_{GS}=10V,$ $I_{DS}=30A$		116		nC
$Q_{gs}$	Gate-Source Charge			23		
$Q_{gd}$	Gate-Drain Charge			52		

- Notes:
- ① Pulse width limited by safe operating area.
  - ② Calculated continuous current based on maximum allowable junction temperature.
  - ③ Limited by  $T_{Jmax}$ ,  $I_{AS}=18A$ ,  $V_{DD}=60V$ ,  $R_G=50\Omega$ , Starting  $T_J=25^\circ C$ .
  - ④ Pulse test; Pulse width  $\leq 300\mu s$ , duty cycle  $\leq 2\%$ .
  - ⑤ Guaranteed by design, not subject to production testing.

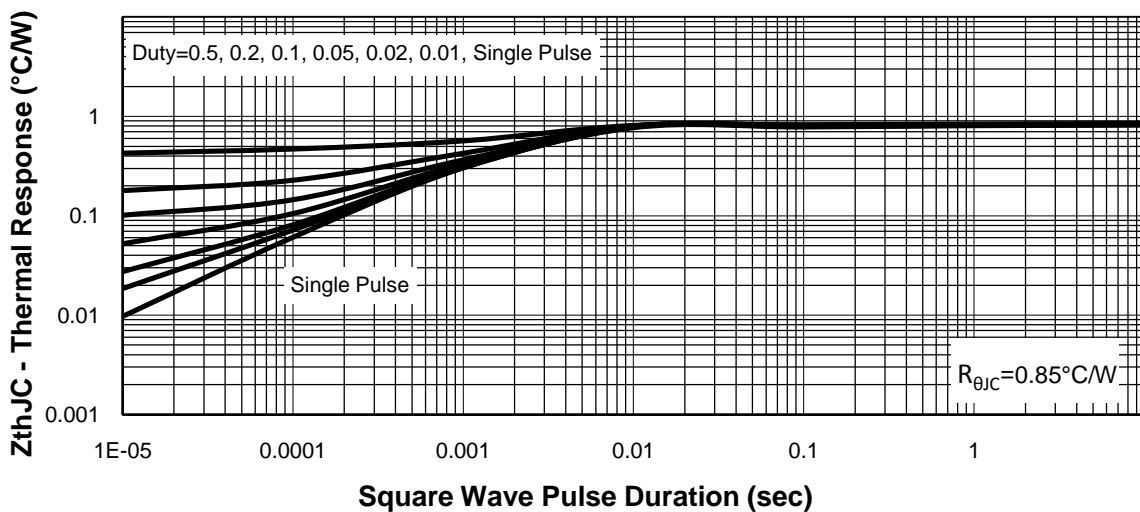
**Ordering and Marking Information**

<b>Device</b>	<b>Marking</b>	<b>Package</b>	<b>Packaging</b>	<b>Quantity</b>	<b>Reel Size</b>	<b>Tape width</b>
RU2H30S	RU2H30S	TO263	Tube	50	-	-

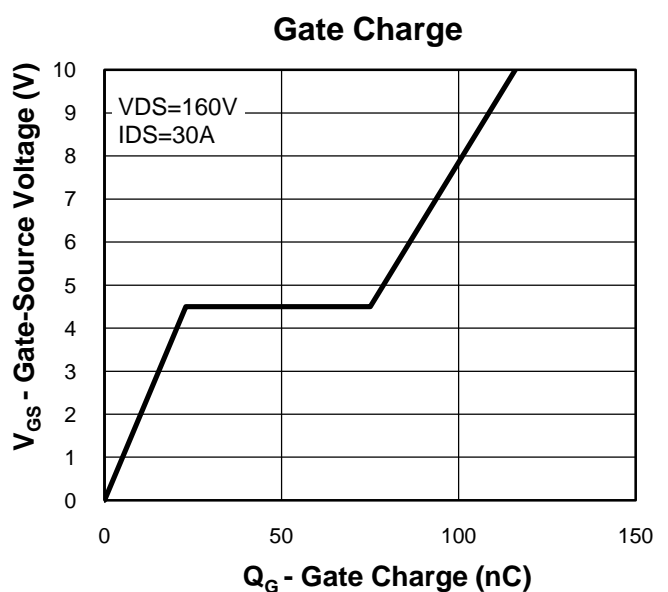
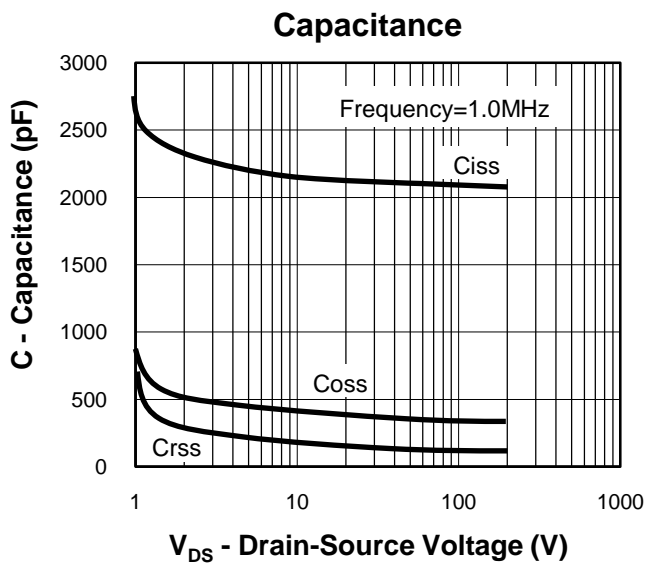
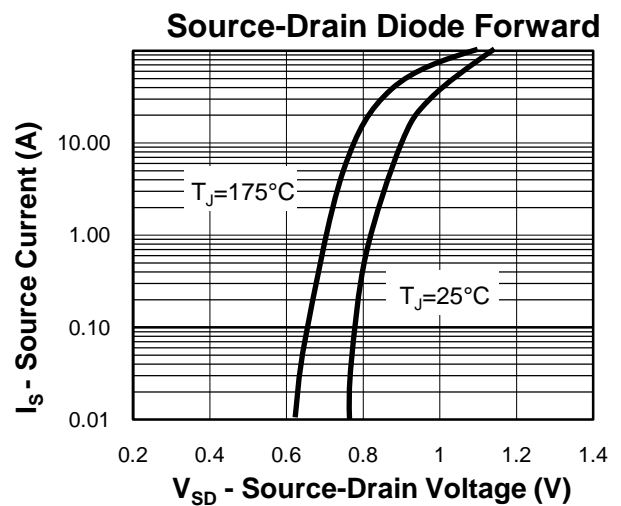
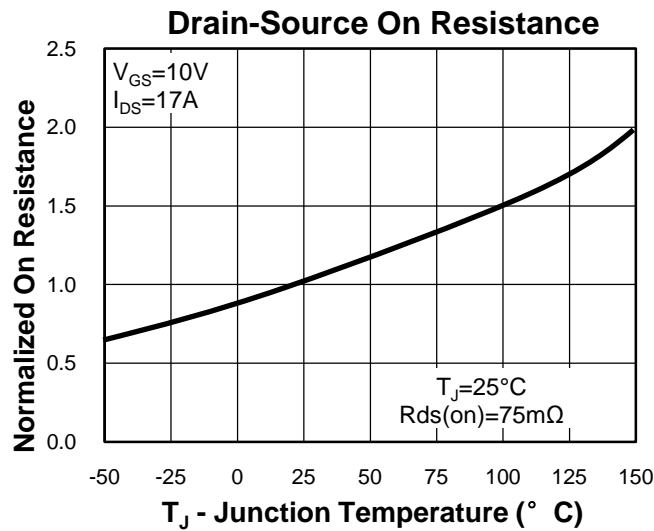
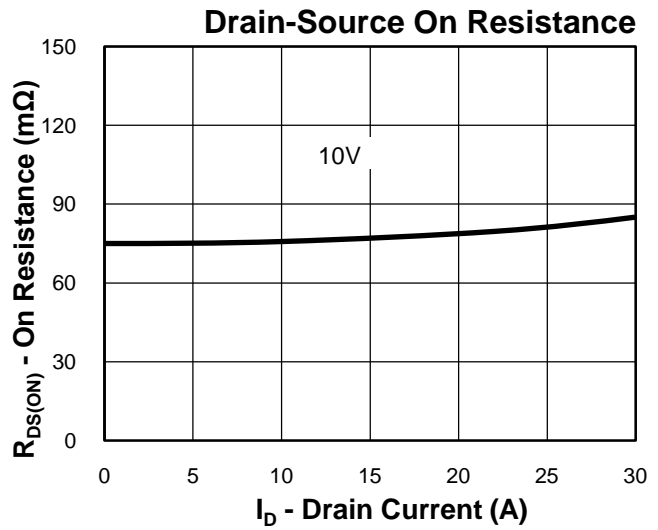
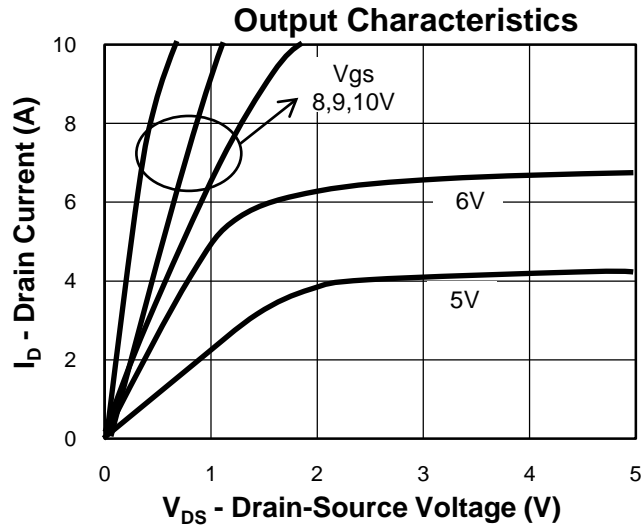
**Typical Characteristics**



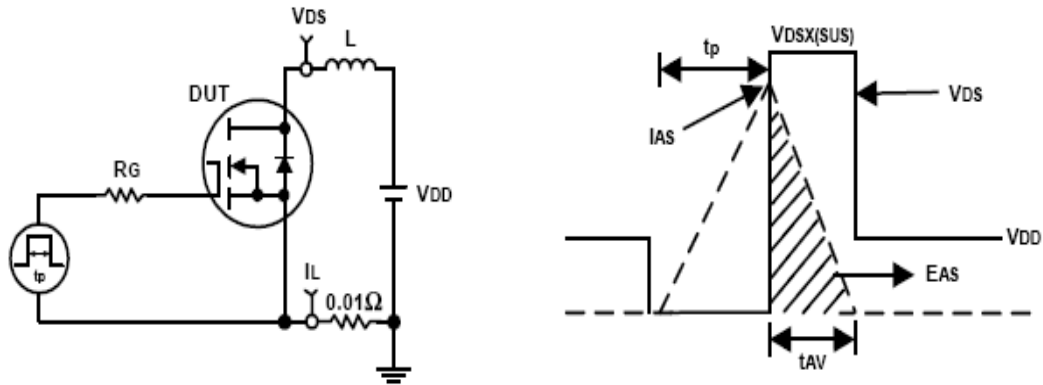
**Thermal Transient Impedance**



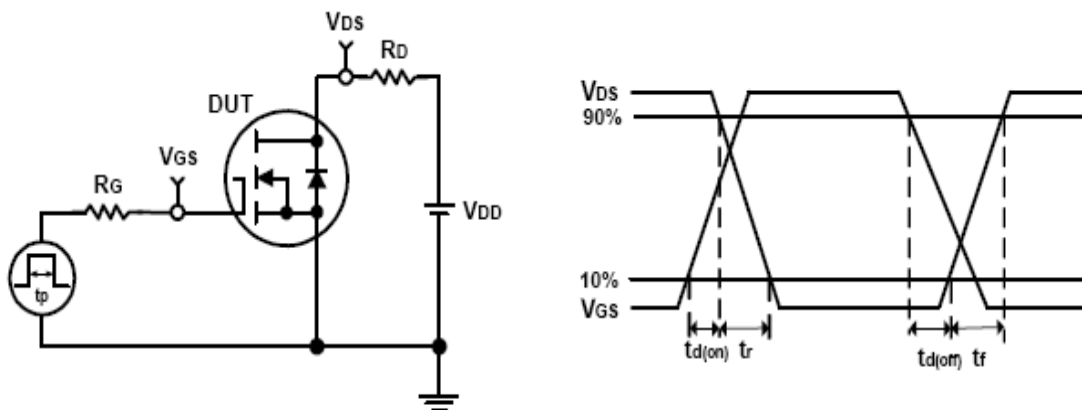
**Typical Characteristics**



**Avalanche Test Circuit and Waveforms**

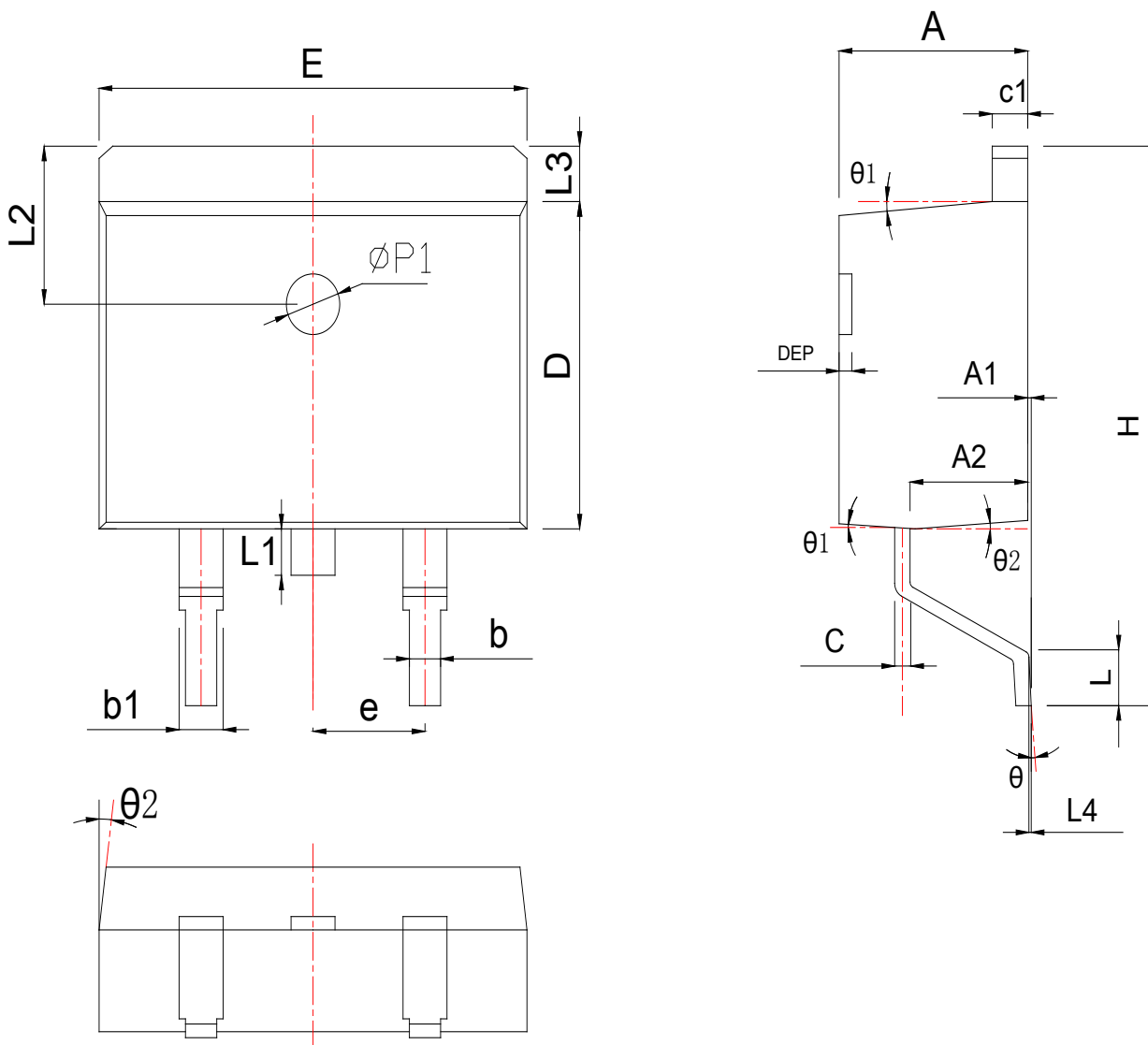


**Switching Time Test Circuit and Waveforms**



**Package Information**

**TO263**



SYMBOL	MM			INCH			SYMBOL	MM			INCH		
	MIN	NOM	MAX	MIN	NOM	MAX		MIN	NOM	MAX	MIN	NOM	MAX
A	4.40	4.55	4.70	0.173	0.179	0.185	L	2.00	2.30	2.60	0.079	0.091	0.102
A1	0.00	0.10	0.25	0.000	0.005	0.010	L3	1.17	1.29	1.40	0.046	0.051	0.055
A2	2.59	2.69	2.79	0.102	0.106	0.110	L1	*	*	1.70	*	*	0.067
b	0.77	*	0.90	0.030		0.035	L4	0.25 BSC			0.01 BSC		
b1	1.23	*	1.36	0.048		0.054	L2	2.50 REF			0.098 REF		
c	0.34	*	0.47	0.013		0.019	$\theta$	0°	*	8°	0°	*	8°
c1	1.22	*	1.32	0.048		0.052	$\theta_1$	5°	7°	9°	5°	7°	9°
D	8.60	8.70	8.80	0.339	0.343	0.346	$\theta_2$	1°	3°	5°	1°	3°	5°
E	10.00	10.13	10.26	0.394	0.399	0.404	DEP	0.05	0.10	0.20	0.002	0.004	0.008
e	2.54BSC			0.100BSC			$\phi_{p1}$	1.40	1.50	1.60	0.055	0.059	0.063
H	14.70	15.10	15.50	0.579	0.594	0.610							

**Customer Service****Worldwide Sales and Service:**

Sales@ruichips.com

**Technical Support:**

Technical@ruichips.com

**Investor Relations Contacts:**

Investor@ruichips.com

**Marcom Contact:**

Marcom@ruichips.com

**Editorial Contact:**

Editorial@ruichips.com

**HR Contact:**

HR@ruichips.com

**Legal Contact:**

Legal@ruichips.com

**Shen Zhen RUICHIPS Semiconductor CO., LTD**

Room 501, the 5floor An Tong Industrial Building,  
NO.207 Mei Hua Road Fu Tian Area Shen Zhen City, CHINA

**TEL:** (86-755) 8311-5334

**FAX:** (86-755) 8311-4278

**E-mail:** Sales-SZ@ruichips.com