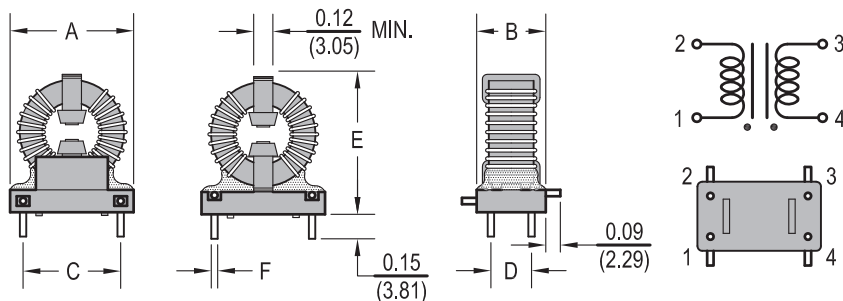
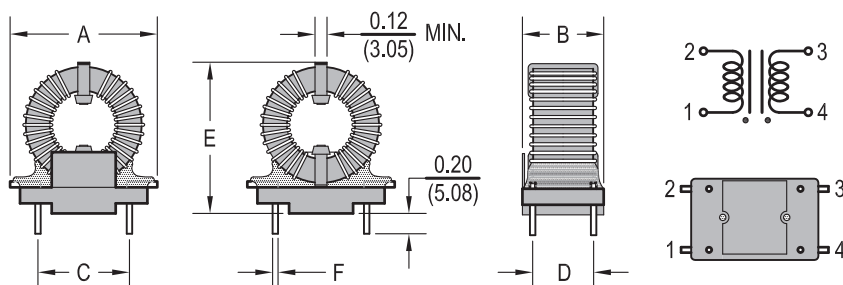
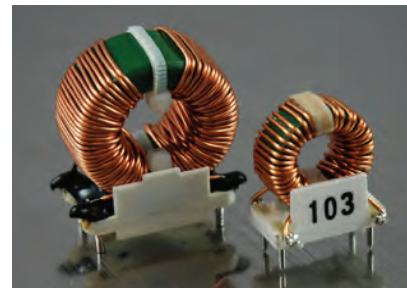


VCMB810 Common Mode Choke with Base



VCMB8101 - VCMB8103



VCMB8104 - VCMB8121

Features

- Solid Base for Stable Vertical Mounting
- Wide Range of Values and Current Ratings
- Excellent EMI Suppression
- Fixed Pins for easy PCB insertion

Electrical

Inductance Range: 1.0mH to 50mH

Tolerance: Inductance shown in min. L

Test Frequency: 1KHz

Operating Temp: -55°C ~ 105°C

Temp Rise: Idc based on a 35°C temp rise Typ.

Dielectric Strength: 1500Vrms

Base: VW-1 Flammability Rating

| Allied Part Number | L(mH) Min @ 1KHZ | IDC (A) | DCR (Ω) Max. | Dim A Max Inch | Dim B±0.01 Inch | Dim C±0.015 Inch | Dim D±0.015 Inch | Dim E Max Inch | Dim F Max Inch |
|--------------------|------------------|---------|--------------|----------------|-----------------|------------------|------------------|----------------|----------------|
| VCMB8101-RC | 4 | 1.7 | 0.173 | 0.760 | 0.425 | 0.600 | 0.250 | 0.90 | 0.040 |
| VCMB8102-RC | 2.5 | 2.4 | 0.090 | 0.760 | 0.425 | 0.600 | 0.250 | 0.90 | 0.040 |
| VCMB8103-RC | 1 | 4.8 | 0.022 | 0.760 | 0.425 | 0.600 | 0.250 | 0.90 | 0.040 |
| VCMB8104-RC | 10 | 2.4 | 0.170 | 1.20 | 0.60 | 0.800 | 0.400 | 1.20 | 0.050 |
| VCMB8105-RC | 7 | 2.8 | 0.120 | 1.20 | 0.60 | 0.800 | 0.400 | 1.20 | 0.050 |
| VCMB8106-RC | 5 | 3.7 | 0.070 | 1.20 | 0.60 | 0.800 | 0.400 | 1.20 | 0.050 |
| VCMB8107-RC | 2 | 6.6 | 0.022 | 1.20 | 0.60 | 0.800 | 0.400 | 1.20 | 0.050 |
| VCMB8108-RC | 1 | 10 | 0.010 | 1.20 | 0.60 | 0.800 | 0.400 | 1.20 | 0.050 |
| VCMB8109-RC | 30 | 2.3 | 0.330 | 1.35 | 0.80 | 0.900 | 0.600 | 1.45 | 0.050 |
| VCMB8110-RC | 20 | 2.9 | 0.210 | 1.35 | 0.80 | 0.900 | 0.600 | 1.45 | 0.050 |
| VCMB8111-RC | 12 | 4.0 | 0.110 | 1.35 | 0.80 | 0.900 | 0.600 | 1.45 | 0.050 |
| VCMB8112-RC | 8 | 5.6 | 0.055 | 1.35 | 0.80 | 0.900 | 0.600 | 1.45 | 0.050 |
| VCMB8113-RC | 5 | 8.9 | 0.022 | 1.45 | 0.80 | 0.900 | 0.600 | 1.50 | 0.043 |
| VCMB8114-RC | 2.5 | 12.5 | 0.011 | 1.45 | 0.80 | 0.900 | 0.600 | 1.50 | 0.053 |
| VCMB8115-RC | 1.2 | 16.0 | 0.006 | 1.50 | 0.80 | 0.900 | 0.600 | 1.53 | 0.060 |
| VCMB8116-RC | 50 | 2.3 | 0.450 | 1.55 | 0.80 | 0.900 | 0.600 | 1.65 | 0.050 |
| VCMB8117-RC | 36 | 2.9 | 0.300 | 1.55 | 0.80 | 0.900 | 0.600 | 1.65 | 0.050 |
| VCMB8118-RC | 7.3 | 9.3 | 0.032 | 1.65 | 0.80 | 0.900 | 0.600 | 1.65 | 0.043 |
| VCMB8119-RC | 4 | 14.5 | 0.012 | 1.70 | 0.90 | 1.200 | 0.700 | 1.65 | 0.060 |
| VCMB8120-RC | 2.4 | 17 | 0.008 | 1.70 | 0.90 | 1.200 | 0.700 | 1.65 | 0.067 |
| VCMB8121-RC | 1 | 20 | 0.007 | 1.70 | 0.90 | 1.200 | 0.700 | 1.65 | 0.067 |

All specifications subject to change without notice.