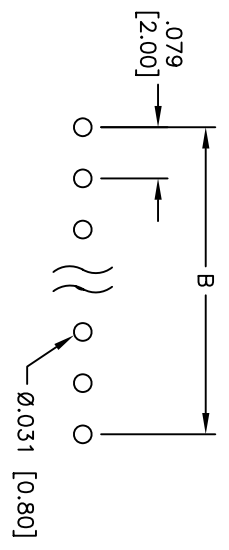
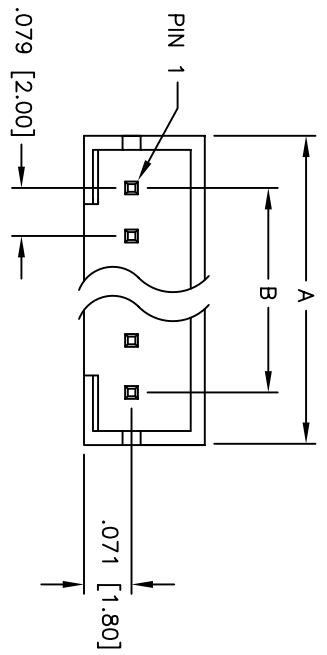


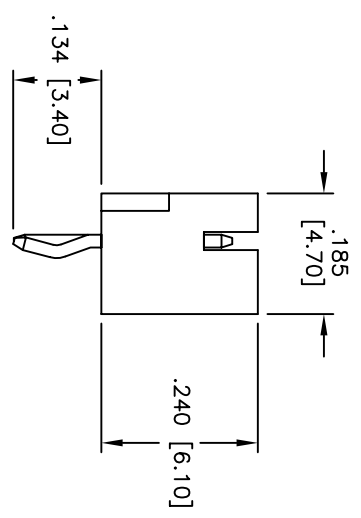
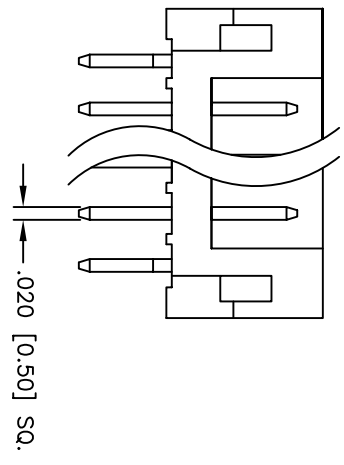
Rev	AWO #	Description	Date	Appr
-		RELEASED	4/6/05	

APPROVED: \_\_\_\_\_

DATE: \_\_\_\_\_ TITLE: \_\_\_\_\_



PCB LAYOUT



**SPECIFICATIONS:**  
 Material: Nylon 66, rated UL 94V-0  
 Insulator color: Brown  
 Contacts: Brass  
 Plating: Tin over Copper underplate overall

**Electrical:**  
 Operating voltage: 100 VAC max  
 Current rating: 1 Amp max  
 Contact resistance: 20 mohms max  
 Insulation resistance: 1,000 Mohms min @ 500 VDC  
 Dielectric withstanding voltage: 1,000 VAC for 1 minute  
 Temperature Rating:  
 Operating temperature: -25°C to +85°C  
 Environmental:  
 Lead free, RoHS compliant  
 Recommended soldering temp: 235°C for 5 seconds

Positions: 2 thru 15  
 A = .079 [2.00] x No. of Positions + .079 [2.00]  
 B = .079 [2.00] x No. of Spaces

UNLESS OTHERWISE SPECIFIED  
 ALL DIMENSIONS ARE INCHES [MM]  
 TOLERANCES: EXCEPT AS NOTED

INCHES	HOLES
.X ± .10	ØX ± .10
.XX ± .020	ØXXX ± .015
.XXX ± .015	ØXXX ± .010

APPROVALS: \_\_\_\_\_ DATE: \_\_\_\_\_

DRAWN	SS	4/6/05
CHECKED		
APPROVED		

**ADAM TECH**  
 909 Rahway Avenue, Union, NJ 07083  
 Phone: 908-687-5000 Fax: 908-687-5710

TITLE: .079 [2.00] SHROUNDED HEADER  
 STRAIGHT, PCB

SIZE	PART NO.	REV.
X	2SH-B-XX-TS	-
REF:	SCALE: NTS	SHEET 1 OF 1

6 5 4 3 2 1

A B C D

A B C D