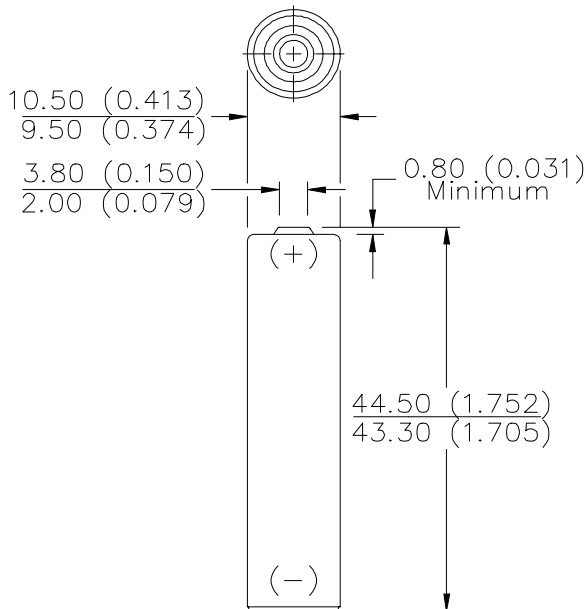


ENERGIZER NO. NH12

AAA



Industry Standard Dimensions in mm (inches)



Description: Rechargeable 1.2V
Chemical System: Nickel-Metal Hydride (NiMH)
Designation: ANSI-1.2H1
Battery Voltage: 1.2 Volts
Average Capacity: 850 mAh (to 1.0 volts)
 (Based on 170 mA (0.2C) discharge rate)
Average Weight: 12.0 grams (0.4 oz.)
Volume: 3.8 cubic centimeters (0.2 cubic inch)
Jacket: Plastic Label

Internal Resistance

The internal resistance of the cell varies with state of charge, as follows:

Cell Charged	Cell 1/2 Discharged
100 milliohms	1200 milliohms
(tolerance of ±20% applies to above values)	

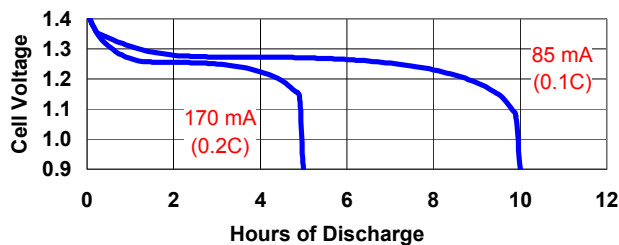
AC Impedance (No Load)

The impedance of the charged cell varies with frequency, as follows:

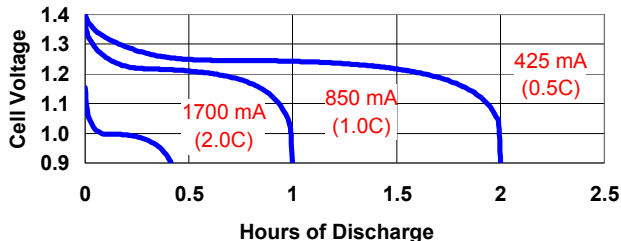
Frequency (Hz)	Impedance (milliohms) (Charged Cell)
1000	35

Note: Above values based on AC current set at 1.0 ampere. Value tolerances are ±20%

TYPICAL DISCHARGE CHARACTERISTICS
 Average Performance at 21°C (70°F)



TYPICAL DISCHARGE CHARACTERISTICS
 Average Performance at 21°C (70°F)



Operating and Storage Temperatures

Ranges of temperature applicable to operation of the NH12 cells are:

- Charge @ 0.1C:** 32°F to 122°F (0°C to 50°C)
- Discharge @ 0.1C:** -4°F to 122°F (-20°C to 50°C)
- Storage:** -40°F to 122°F (-40°C to 50°C)
 (6 Months Max.)
 -4°F to 95°F (-20°C to 35°C)
 (2 Years Max.)

Operating at extreme temperature will significantly affect service and cycle life.

Important Notice

This data sheet contains information specific to batteries manufactured at the time of its publication.

Contents herein do not constitute a warranty.

Copyright © Eveready Battery Co. Inc. - All Rights Reserved