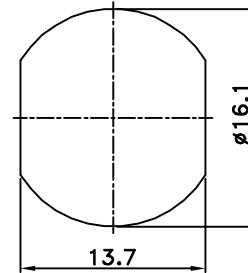
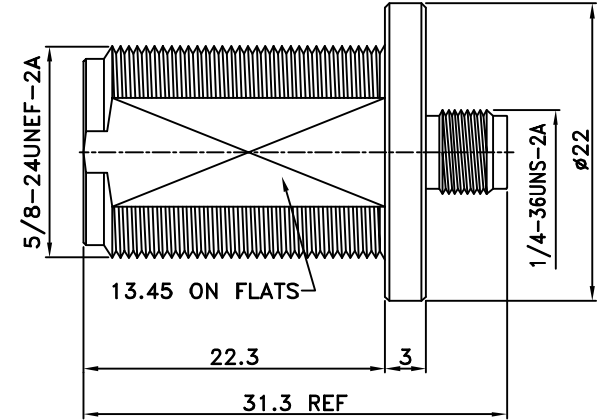
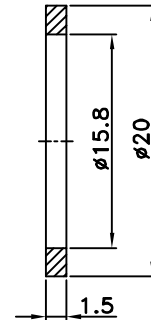
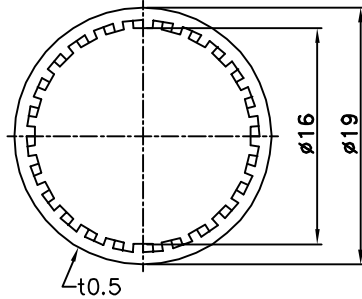
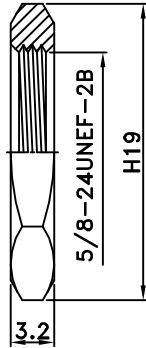


REV	DESCRIPTION\PER REQUEST	DRAWN	DATE



RECOMMENDED  
MOUNTING HOLE

7	Nut	1	Brass	Nickel
6	Washer	1	Brass	Nickel
5	Gasket	1	Si-rubber	Red
4	Dielectric	1	Teflon	None
3	Pin	1	Beryllium	Gold
2	Body	1	Brass	Nickel
1	Body	1	Brass	Nickel
NO	Description	Q'ty	Material	Finish

PART NO.		132B9505		* MAJOR DIMENSION		Bomar Interconnect Products, Inc	
APPROVED		DATE		UNLESS OTHERWISE NOTED TOLERANCES		TITLE	
CHECKED		DATE		0.5-6=±0.2		N BULKHEAD JACK TO SMA JACK ADAPTER	
DRAWN		DATE		6-30=±0.4		DRAWING NO.	
Kai		10/30/12		30-120=±0.6		ASN-11239-TGN	
		10/30/12		120-315=±1.0		REV A	
				ANGLES=±1°			
SCALE	2/1	UNIT	mm	FILE NO. W:\AS\ASN\ASN-11239-TGN Bomar->20121105			