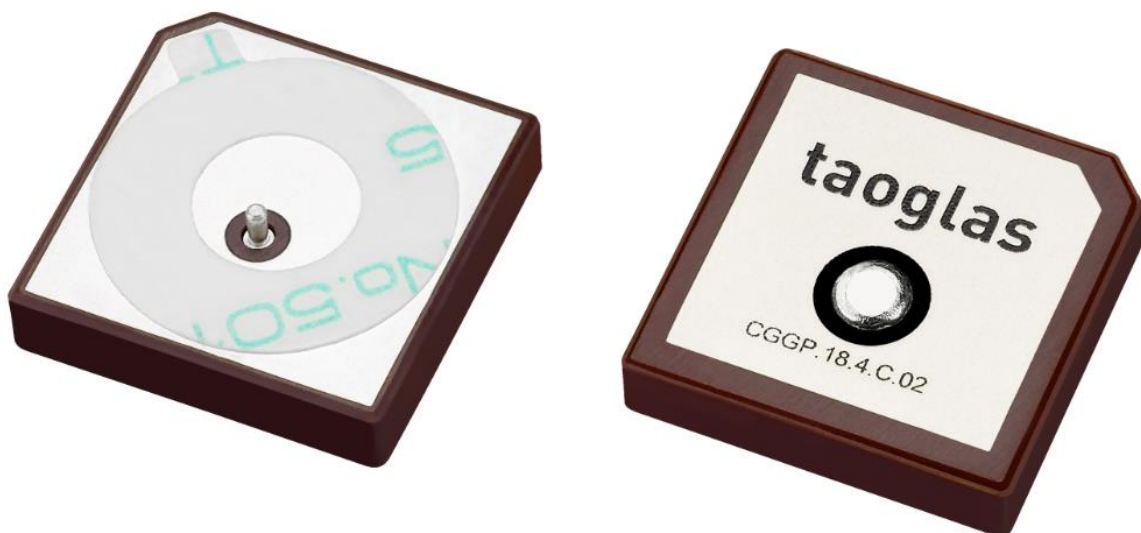


SPECIFICATION

Part No.	: CGGP.18.4.C.02
Product Name	: 18mm Ceramic GPS/GLONASS Patch Antenna, 1575-1610MHz
Features	: Wide-band Operation 18mm*18mm*4mm 3dBi Peak Gain (on 70mm*70mm ground-plane) Pin type Automotive TS16949 Production and Quality Approved RoHS compliant



1. Introduction

This 18mm ceramic GPS/Glonass patch antenna, by means of a double resonance design, has unique wide-band operation over the whole operating bands of GPS and Glonass systems from 1575MHz to 1610MHz. It is mounted via pin and double-sided adhesive.

This antenna has been tuned for a centre position on a 70mm*70mm ground-plane. It is manufactured and tested in a TS16949 first tier automotive approved facility. For further optimization to customer specific device environments where positioning is off centre or on different ground-plane sizes, custom tuned patch antennas can be supplied. For more details please email sales@taoglas.com

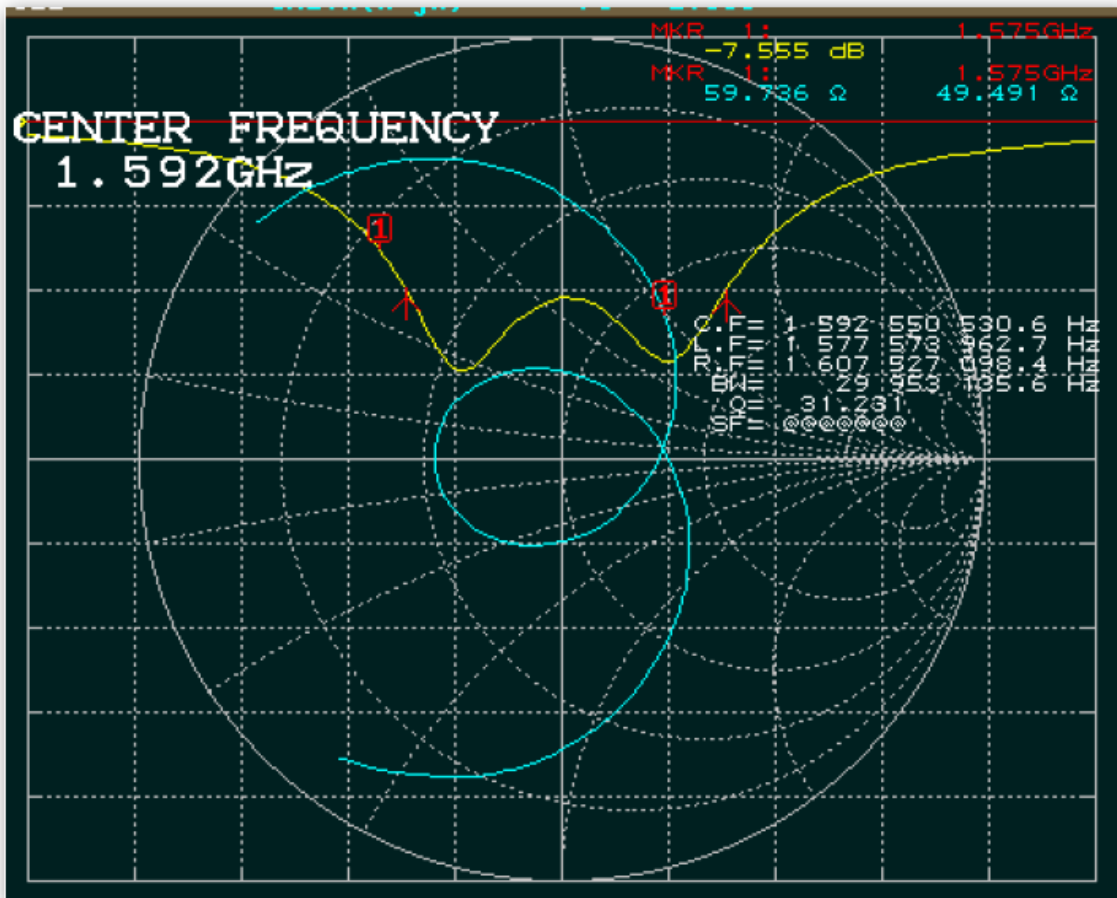
2. Specification

ELECTRICAL	
Range of Receiving Frequency	GPS: 1575.42±1.023MHz GLONASS: 1602±5MHz
Center Frequency	1592MHz ± 3MHz
VSWR	2.4 max
Gain at Zenith	+3.0 dBi typ.
Impedance	50 ohms
MECHANICAL	
Ceramic Dimension	18mm x 18mm x 4mm
Pin Diameter	0.9mm
Pin Length	1.8mm
ENVIRONMENTAL	
Operation Temperature	-40°C to 85°C
Humidity	Non-condensing 65°C 95% RH

* Antenna properties were measurement with the antenna mounted on 70*70mm Ground Plane

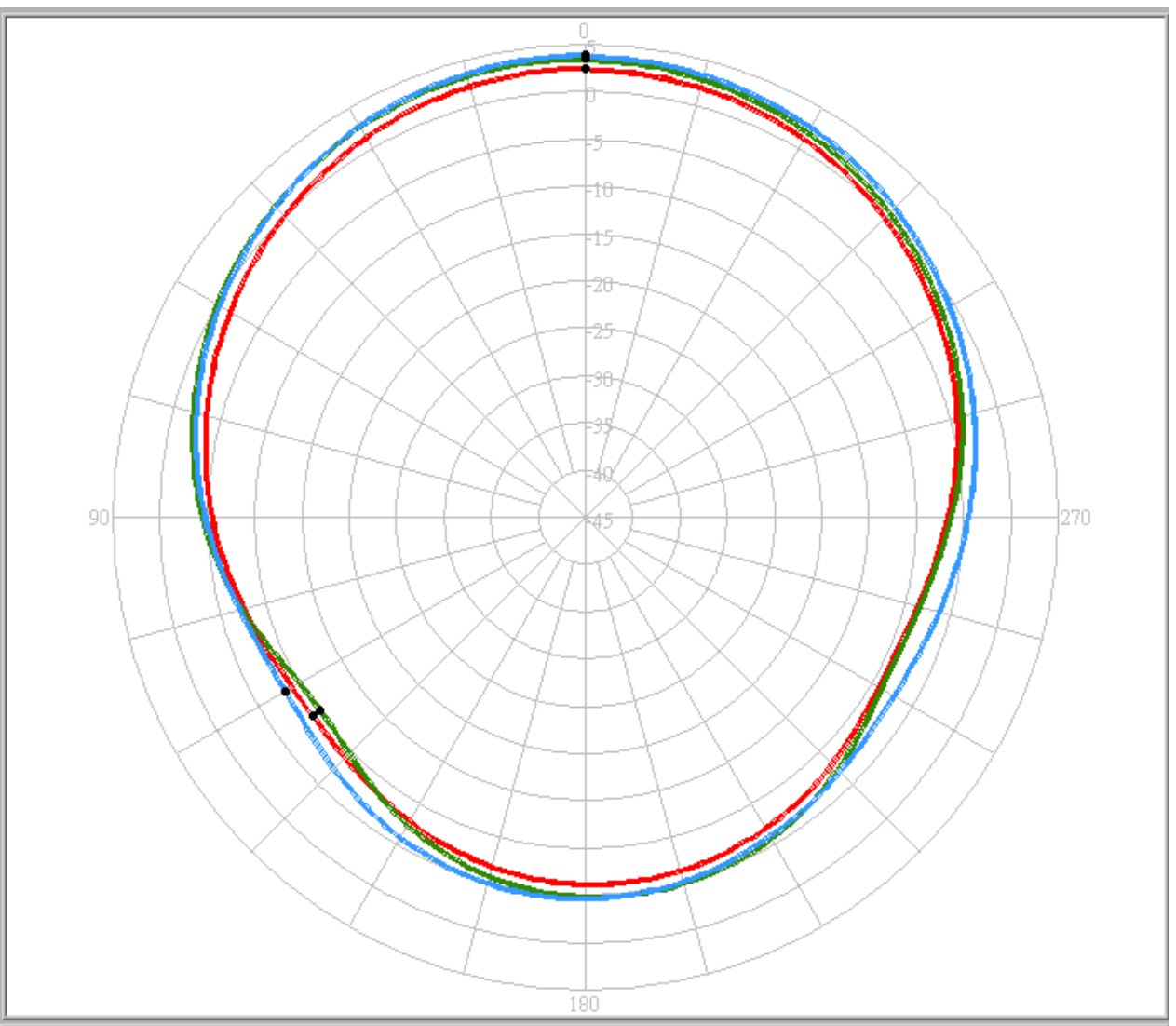
Taoglas Part # CGGPD.18.C

3. Antenna S11 Properties - 1592 MHz Typical Return Loss, SWR, Impedance, measured on the test fixture



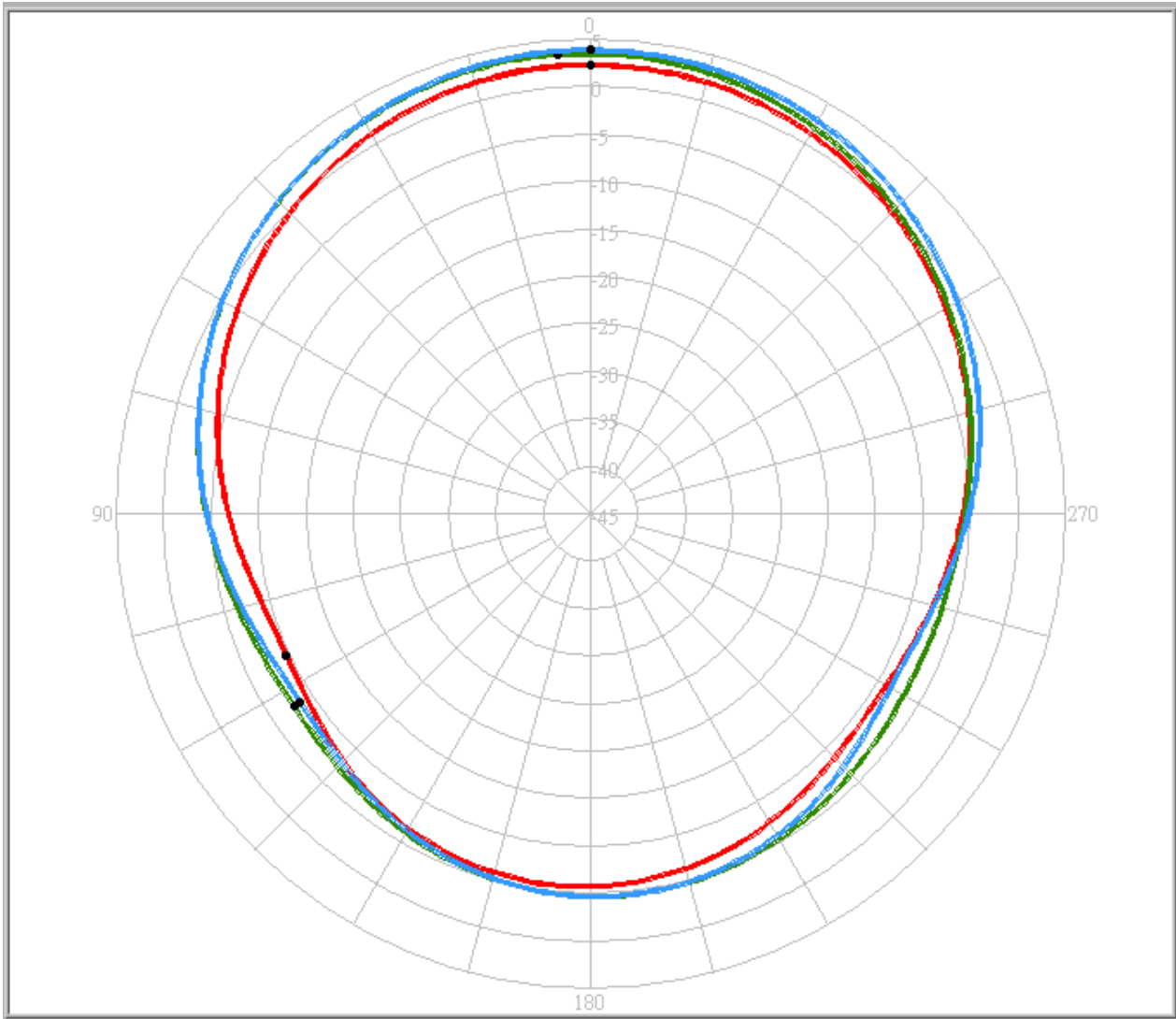
4. Antenna Radiation Properties

4.1. XZ – Plane Radiation



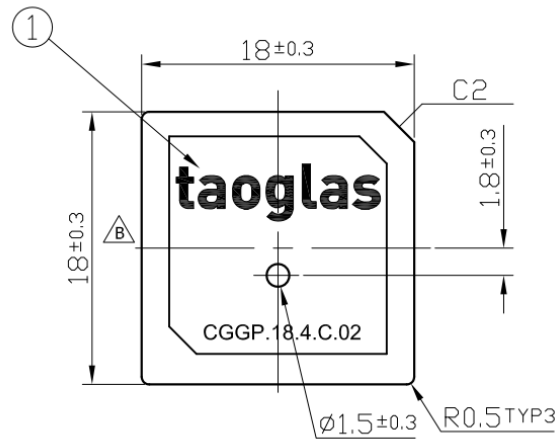
Item	XZ-plane
1575 MHz	2.49 dBi
1592 MHz	3.47 dBi
1608 MHz	3.85 dBi

4.2. YZ- Plane Radiation

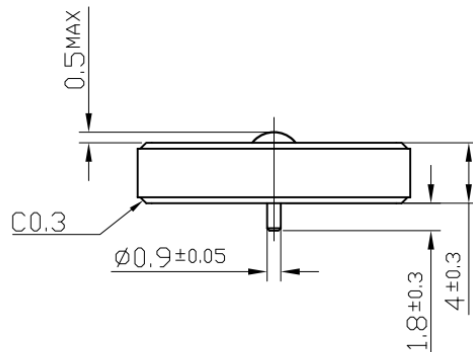


Item	YZ-plane
1575	2.33 dBi
1592	3.49 dBi
1608	3.88 dBi

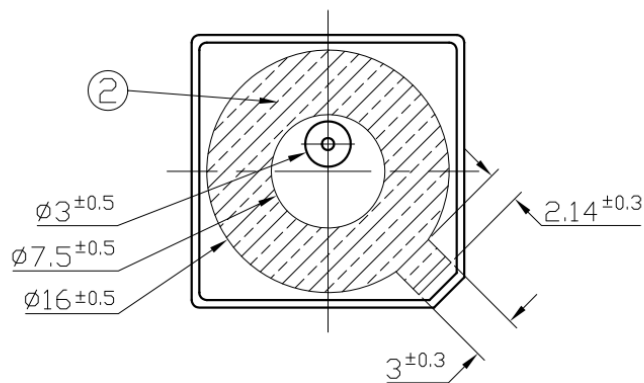
5. Mechanical Drawing



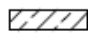
Top View



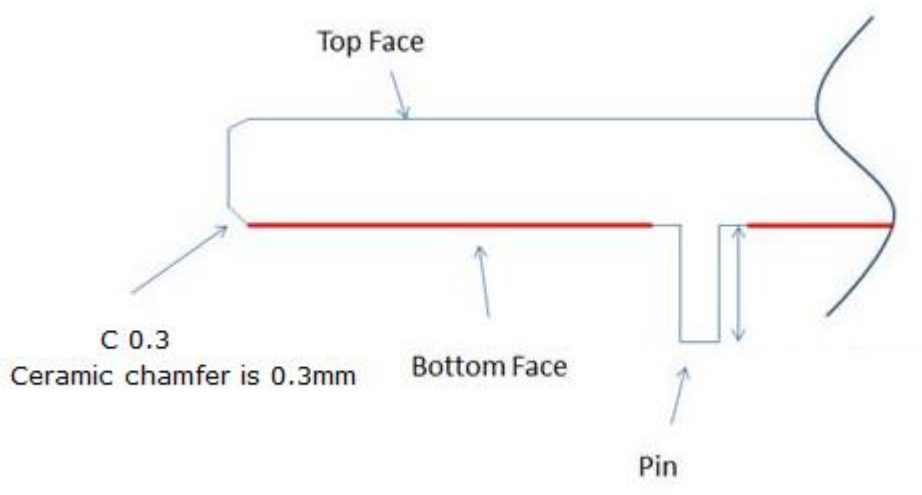
Side View



Bottom View

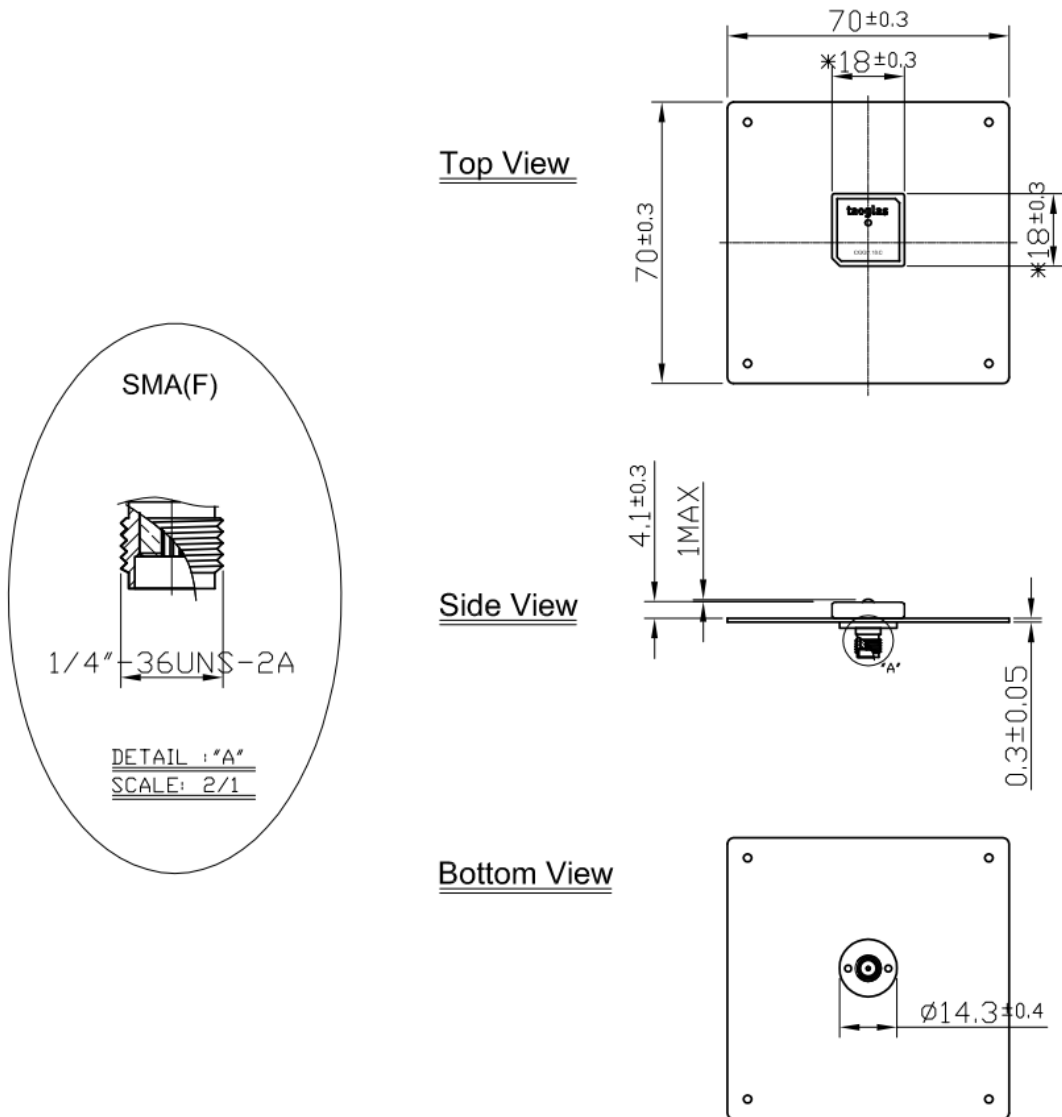
	Name	Material	Finish	QTY	NOTES:
1	CGGP.18 Patch 18x18x4	Ceramic	Clear	1	1. Double sided adhesive area. 
2	Double sided Adhesive	NITTO 5015	White Liner	1	

5.1 Adhesive Thickness



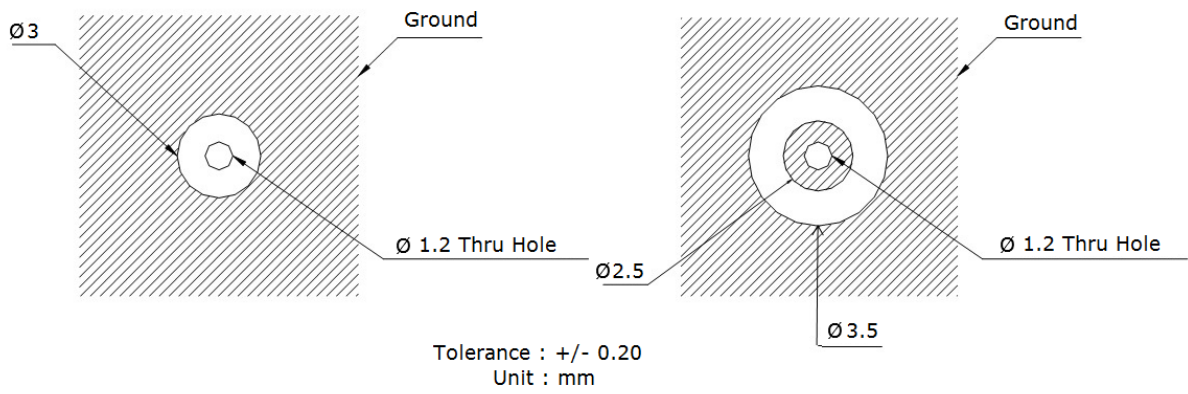
Red Line shows the adhesive without Liner – thickness 0.08~0.1mm

6. Evaluation Board (CGGPD.18.C)



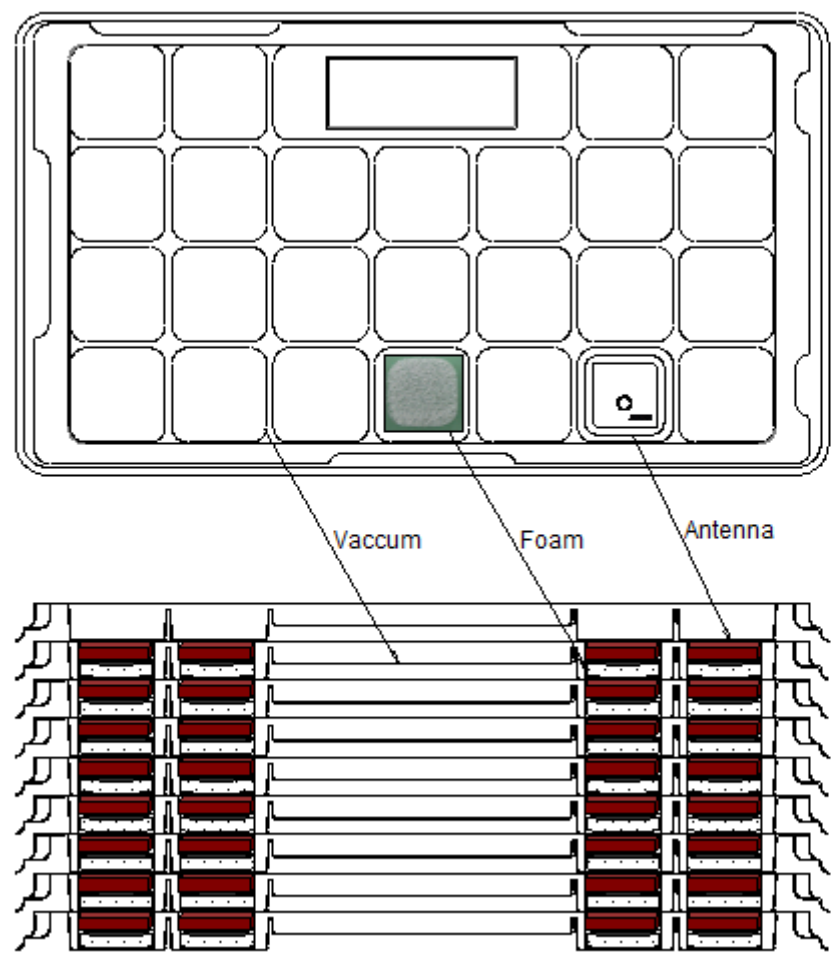
	Name	Material	Finish	QTY
1	Patch(18x18x4mm)	Ceramic	Clear	1
2	Ground-Plane(70x70x0.3mm)	Brass	Silver	1
3	SMA(F) ST	Brass	Gold	1

7. PCB Footprint Recommendation



8. Packaging

8.1. Inner Tray



- 25 pieces per tray
- 200 pieces per inner carton
- 800 pieces per outer carton

8.2. Carton

