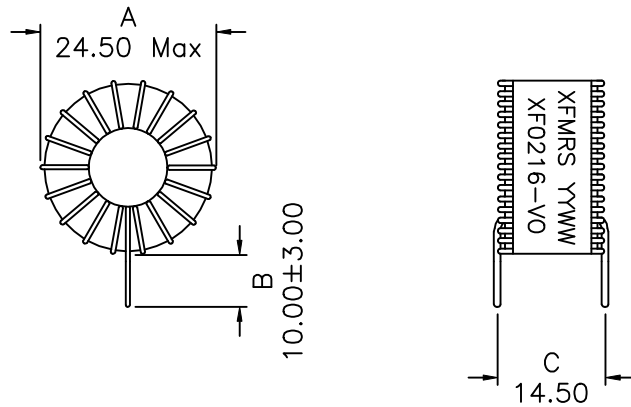


### 1. Mechanical Dimensions:

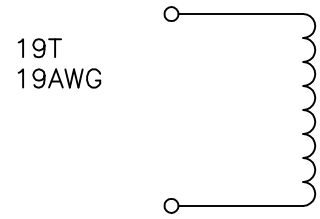


Lead Dia.: 0.89

**Notes:**

1. Solderability: Leads shall meet MIL-STD-202, Method 208D for solderability.
2. Flammability: UL94V-0
3. ASTM oxygen index: > 28%
4. Insulation System: Class F 155°C. UL file E151556
5. Operating Temperature Range: All listed parameters are to be within tolerance from -40°C to +85°C
6. Storage Temperature Range: -55°C to +125°C
7. Aqueous wash compatible

### 2. Schematic:



Core: T80-52B

### 3. Electrical Specifications:

Inductance: 21.25uH±20% @100KHz, 250mV  
 Rated Current: 7.8A<sub>dc</sub> (Based on a 30°C Temp Rise)  
 Saturation Current: 9.3A<sub>dc</sub> (Based on 30% drop in OCL)  
 Volt uS: 16.0VuS  
 Energy Storage: 643uJ  
 DCR: 0.0260 Ohms Max

DOC. REV. A/1

<b>XFMRS Inc.</b>	Title: VERTICAL INDUCTOR		
	UNLESS OTHERWISE SPECIFIED	P/N: XF0216-VO	REV. A
TOLERANCES: .xxx ±0.010	DWN.	廖玉坤	Apr-22-02
Dimensions in Inch	CHK.	李清儿	Apr-22-02
SHEET 1 OF 1	APP.	BW	Apr-22-02