



OLV40-11134

OLV

LINEAR MEASUREMENT SENSORS

SICK
Sensor Intelligence.



Ordering information

Type	Part no.
OLV40-11134	6049093

Other models and accessories → www.sick.com/OLV



Detailed technical data

Performance

Speed measuring range	1.5 m/min ... 2,400 m/min
Accuracy	± 0.05 % ¹⁾
Output time	20 ms
Light source	Laser, infrared
Laser class	3B
Typ. light spot size (distance)	1 mm x 1.5 mm (120 mm)
Sensing distance	120 mm, ± 5 mm
Angle between laser beams	Approx. 3°

¹⁾ Accuracy of measurement; at length from 5 m: 1 σ , from 10 m: 2 σ , from 20 m: 3 σ .

Interfaces

Data interface	3 x 5 V, TTL freely configurable, 1 x RS-232 ¹⁾
-----------------------	------------------------------------------------------------

¹⁾ Possible configuration: quadrature output (A/B), pulse (A), RS-422, RS-485, digital inputs and outputs.

Mechanics/electronics

Supply voltage V_s	DC 18 V ... 30 V ¹⁾
Ripple	< 5 V _{pp} ²⁾
Power consumption	< 7 W
Housing material	Aluminum
Weight	Approx. 1 kg
Dimensions	167 mm x 94 mm x 39 mm

¹⁾ Limit values, reverse-polarity protected.

²⁾ May not exceed or fall below U_V tolerances.

Ambient data

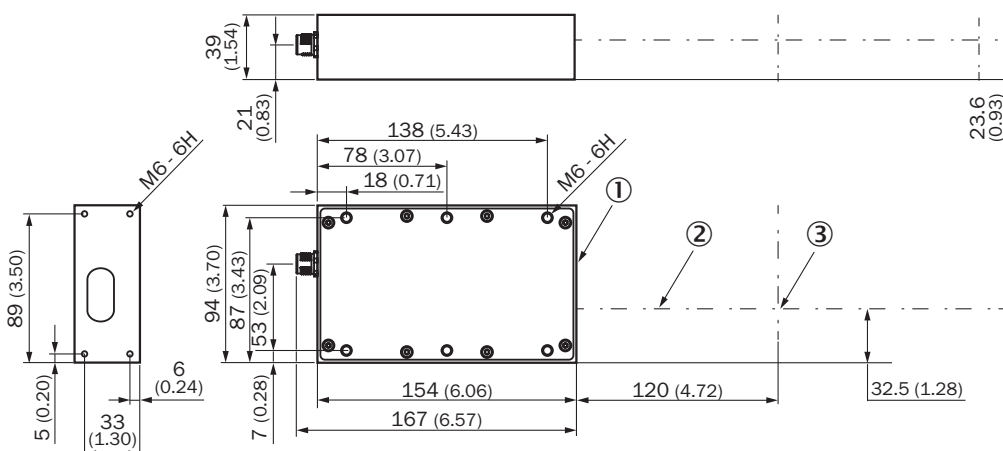
Enclosure rating	IP 67
Protection class	III
Electromagnetic compatibility (EMC)	EN 61000-6-2 (2006-03) EN 61000-6-4 (2007-09)
Ambient temperature	Operation: +10 °C ... +45 °C ¹⁾ Storage: -25 °C ... +75 °C ²⁾
Vibration resistance	DIN/EN 60068-2-6, DIN/EN 60068-2-64
Shock resistance	DIN/EN 60068-2-27

¹⁾ May not fall short of or exceed V_S tolerances.

²⁾ Max. 95 % humidity, non-condensing.

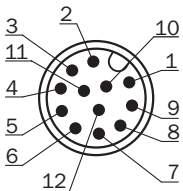
Dimensional drawing (Dimensions in mm (inch))

OLV40-x




- ① Reference edge
- ② Optical axis
- ③ Measurement volume

Connection type



Recommended accessories

Other models and accessories → www.sick.com/OLV

	Brief description	Type	Part no.
Modules and gateways			
	Connection box for Power, I/O, with RS-232 interface for connecting the configuration interface and RS-422/-485 interface (switchable) for connecting the multifunctional interface	OLV-SBX	6048590

SICK AT A GLANCE

SICK is one of the leading manufacturers of intelligent sensors and sensor solutions for industrial applications. A unique range of products and services creates the perfect basis for controlling processes securely and efficiently, protecting individuals from accidents and preventing damage to the environment.

We have extensive experience in a wide range of industries and understand their processes and requirements. With intelligent sensors, we can deliver exactly what our customers need. In application centers in Europe, Asia and North America, system solutions are tested and optimized in accordance with customer specifications. All this makes us a reliable supplier and development partner.

Comprehensive services complete our offering: SICK LifeTime Services provide support throughout the machine life cycle and ensure safety and productivity.

For us, that is “Sensor Intelligence.”

WORLDWIDE PRESENCE:

Contacts and other locations –www.sick.com