

DETAILS

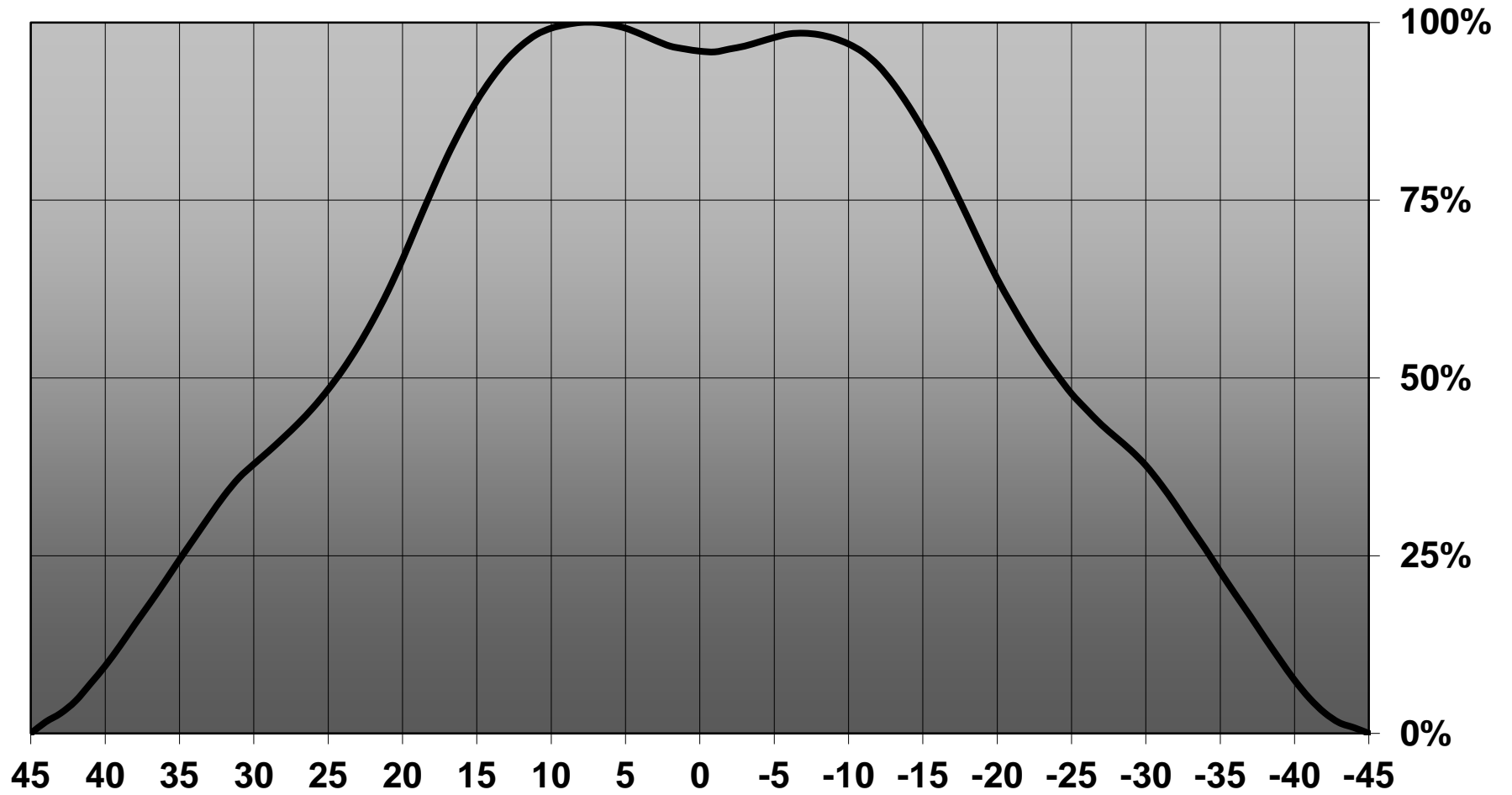
| | |
|------------------------|------------------|
| Product Number | CA10931_BOOM-W |
| Family | Boom |
| Type | RefAssy |
| Color | metal |
| Diameter | 22,2 mm |
| Height | 14,34 mm |
| Style | hexag |
| Optic Material | |
| Holder Material | |
| Fastening | glue, tape |
| Status | production ready |
| ROHS Compliant | Yes |
| Date Updated | 11/11/2016 |

OPTICAL PROPERTIES

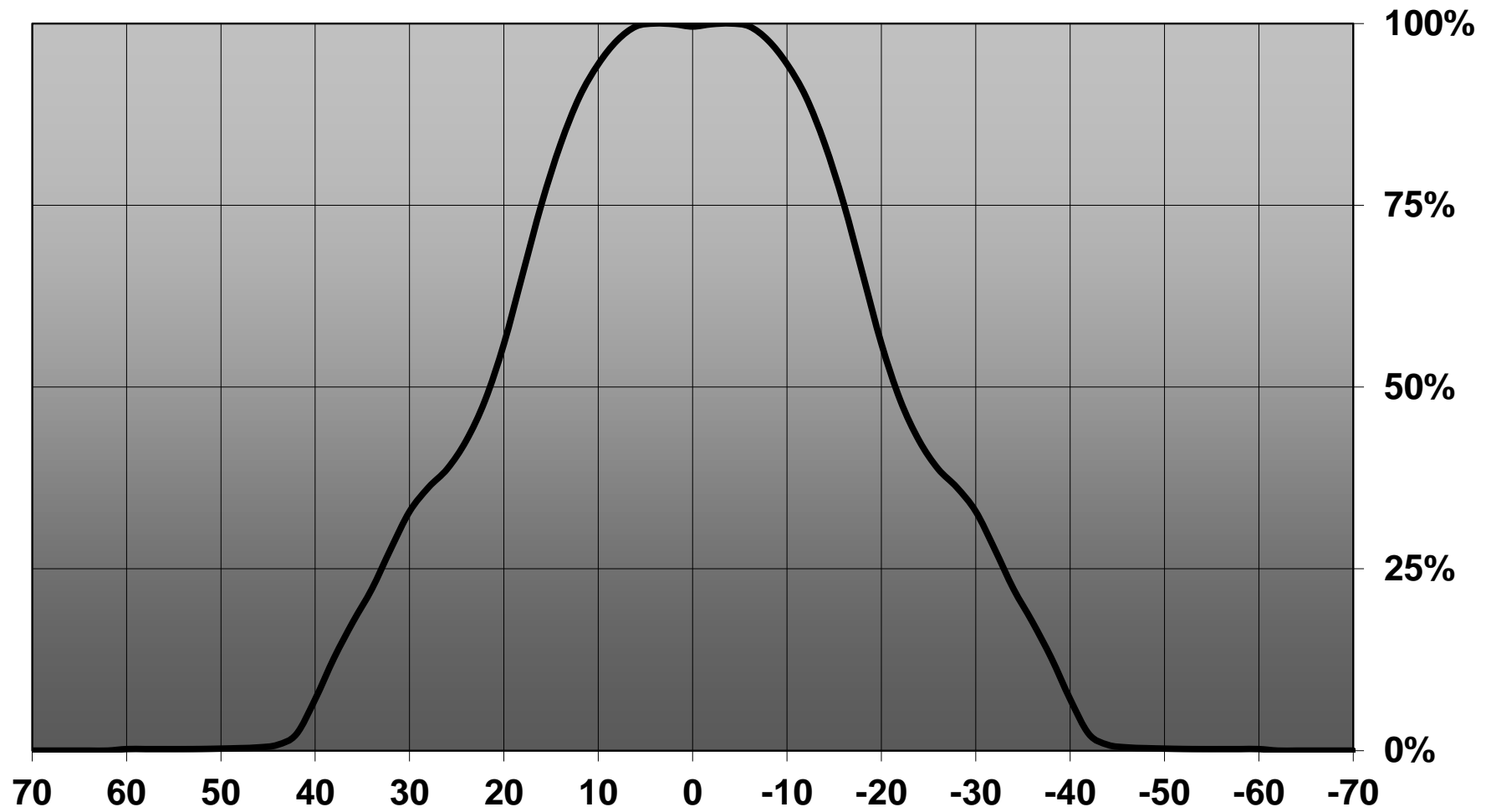
| LED | Viewing | Light | Effi- | | Connector |
|-------------|---------|-------|-----------|------------|-----------|
| | Angle | Beam | ciency | cd/lm | |
| MHB-A/B | 49 deg | Wide | 84 % | 1.270 | - |
| LUXEON M/MX | 43 deg | Wide | 84 % | 1.250 | - |
| LUXEON MZ | 33 deg | Wide | 82 % | 1.900 | - |
| NFMW48xA | 38 deg | Wide | 84 % | 1.600 | - |
| Duris S10 | 41 deg | Wide | 80 % | 1.500 | - |
| Duris P10 | sim: 40 | Wide | sim: 86 % | sim: 1.550 | - |
| P7 | 70 deg | Wide | - | 0.740 | - |



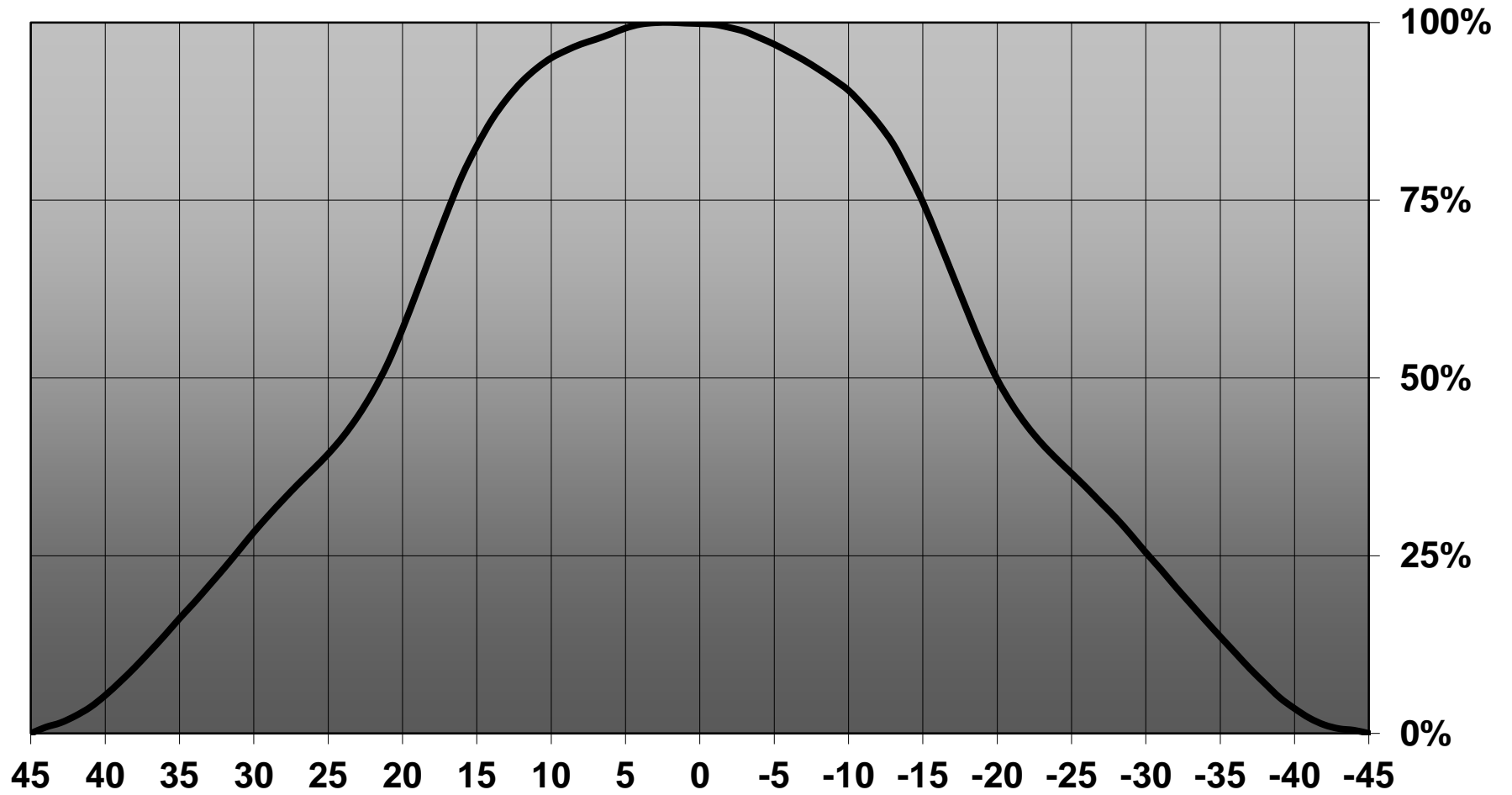
Relative intensity of CA10931_BOOM-W _(MH-B)



Relative intensity of CA10931_BOOM-W_(LUXEON-M)



Relative intensity of CA10931_BOOM-W_(Duris_S10)

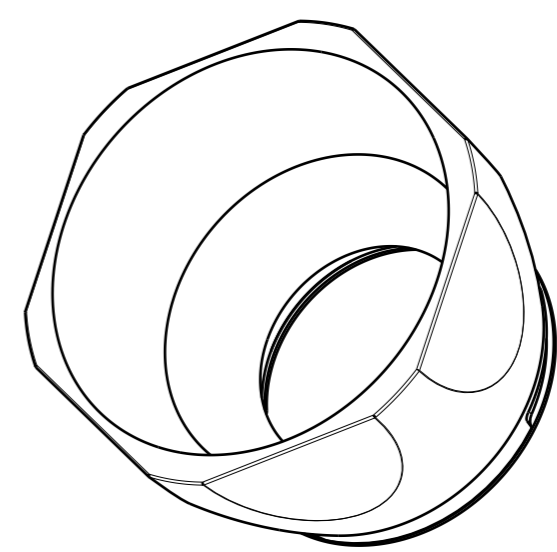
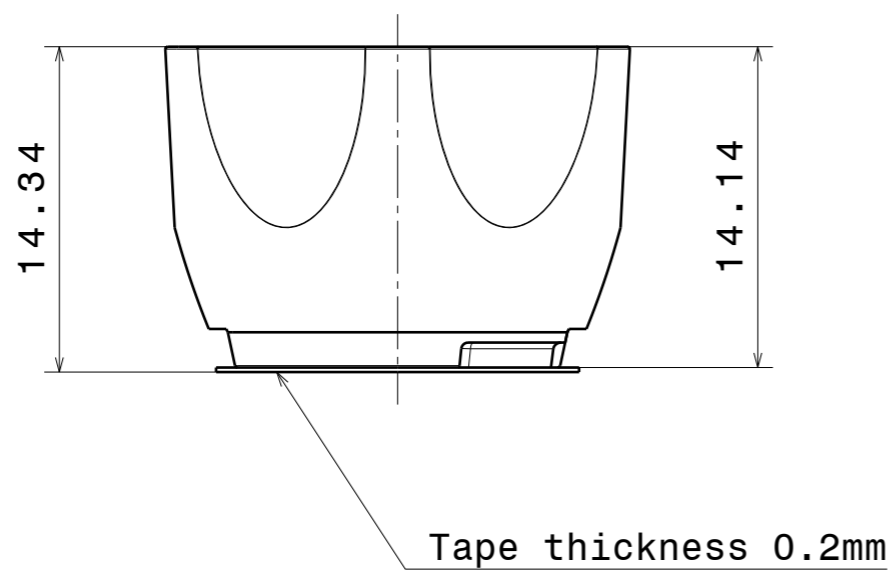


H G F E D C B A

4

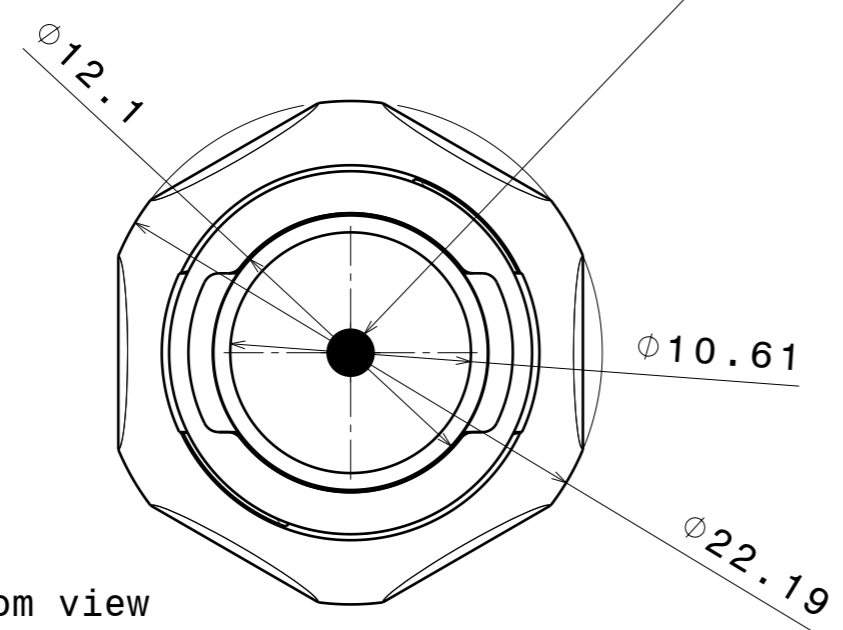
4

Front view



Isometric view

LED position



Bottom view

| INDEX | PART NO | MATERIAL | COLOUR |
|-------|-----------|----------|--------|
| 1 | Tape | | Black |
| 2 | Reflector | PC | Metal |

Tolerances if not otherwise shown
 According to DIN ISO 2768-1
 Linear measures: class C
 According to DIN ISO 2768-2
 Form and position: class L

LEDiL LediL Oy
 Salorankatu 10
 FIN 24240 SALO
 Finland

THIRD ANGLE PROJECTION:

DRAWING TITLE
CA10931_BOOM-W

This drawing is the property of LEDiL Oy. It may not be reproduced, copied or communicated without a written agreement with LEDiL Oy.

SIZE **A3** PART NUMBER **CA10931**

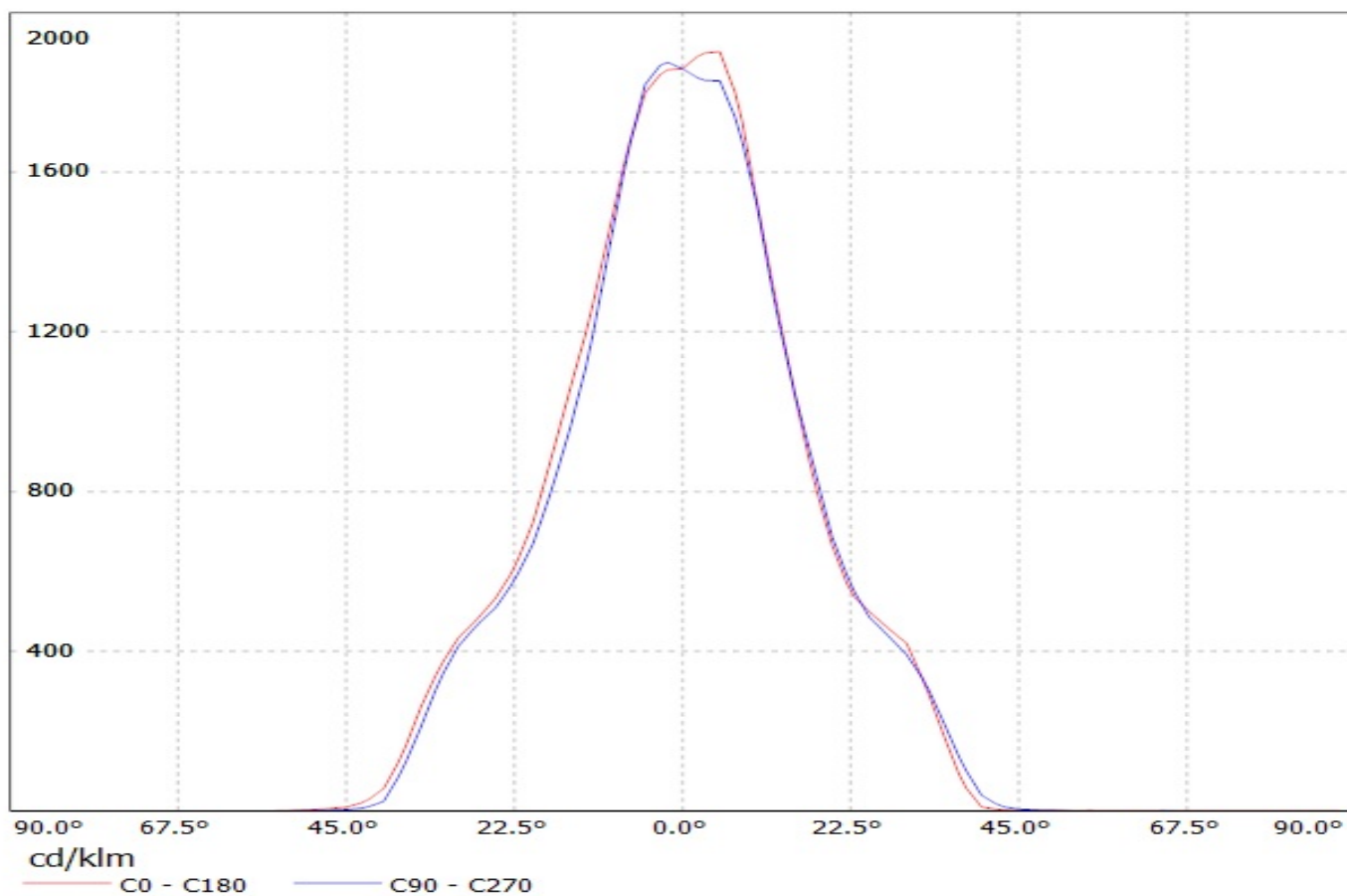
SCALE 1:1 WEIGHT - SHEET 1/1

1

1

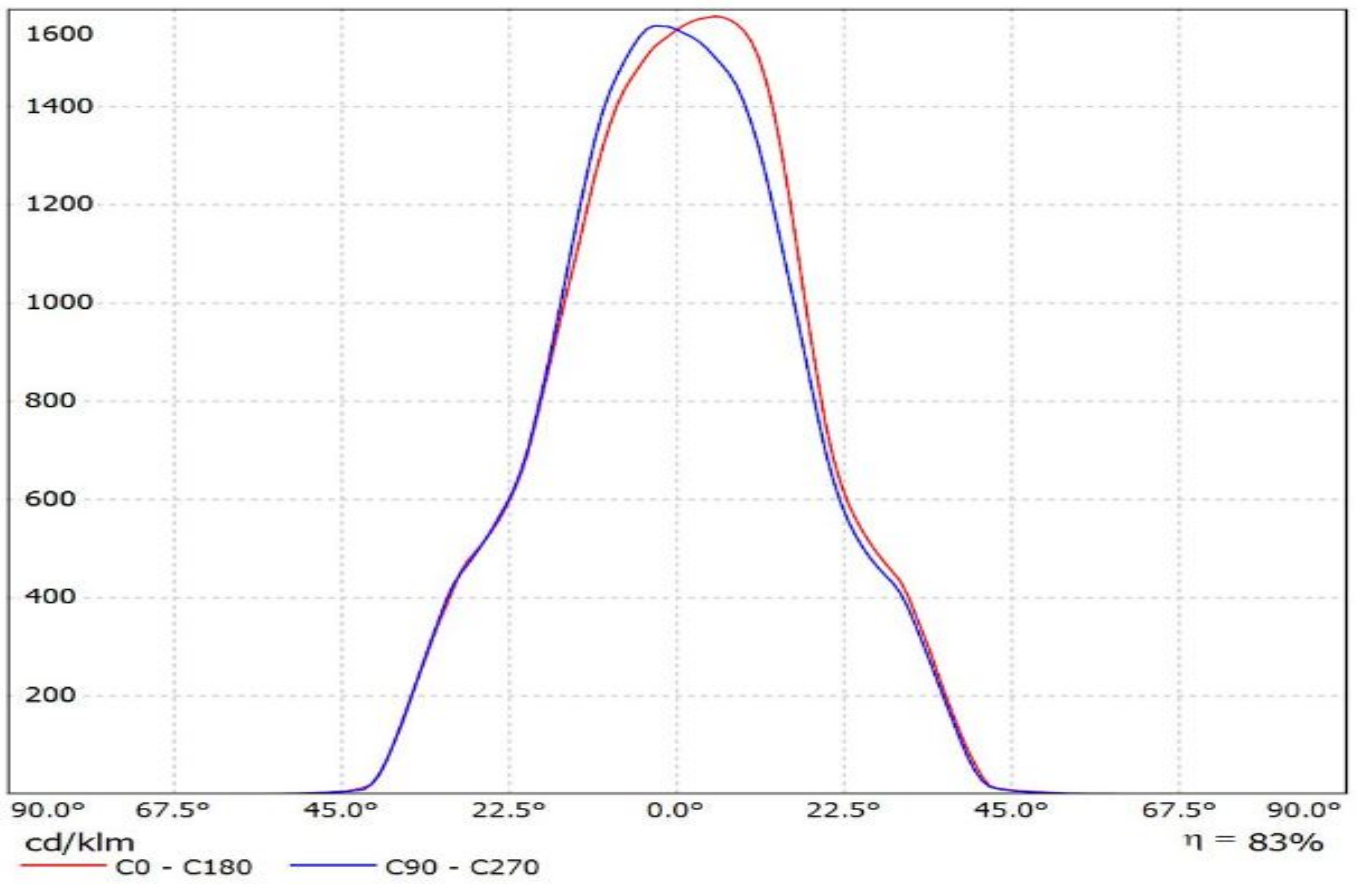
H G B A

Luminaire: LEDil Oy CA10931_BOOM-W_(Luxeon_MZ) Efficiency=82%
Lamps: 1 x Philips Lumileds Luxeon MZ (389lm @ 250mA) CCT=3800K P=2.8W I=250mA

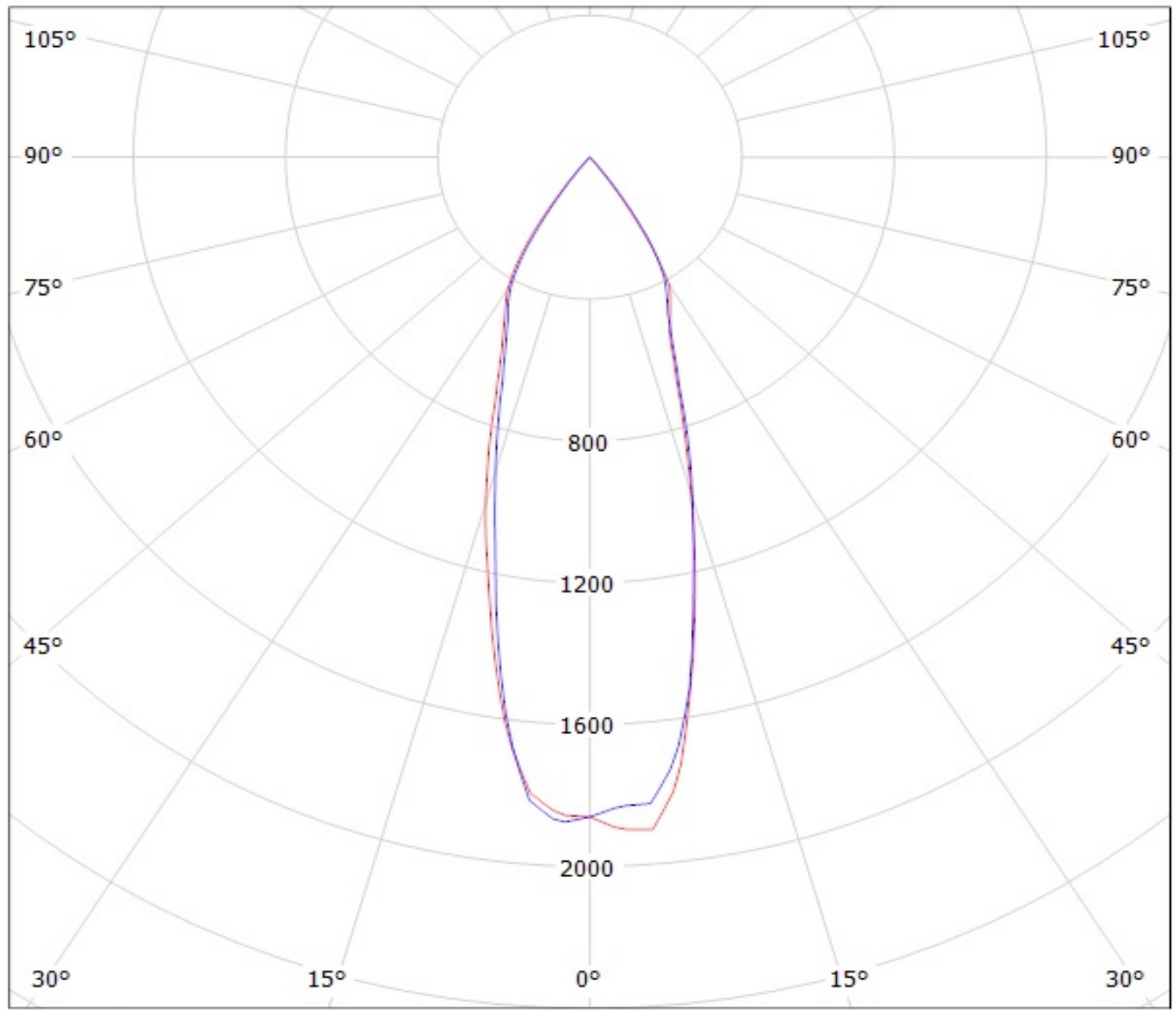


Luminaire: LEDiL Oy CA10931_BOOM-W_(NFMX48xAR_14chip)

Lamps: 1 x Nichia_NFMX48xAR_14chip_(NFMW488AR)_561.275lm@100mA_P=4.11057W_I=0.100A



Luminaire: LEDil Oy CA10931_BOOM-W_(Luxeon_MZ) Efficiency=82%
Lamps: 1 x Philips Lumileds Luxeon MZ (389lm @ 250mA) CCT=3800K P=2.8W I=250mA

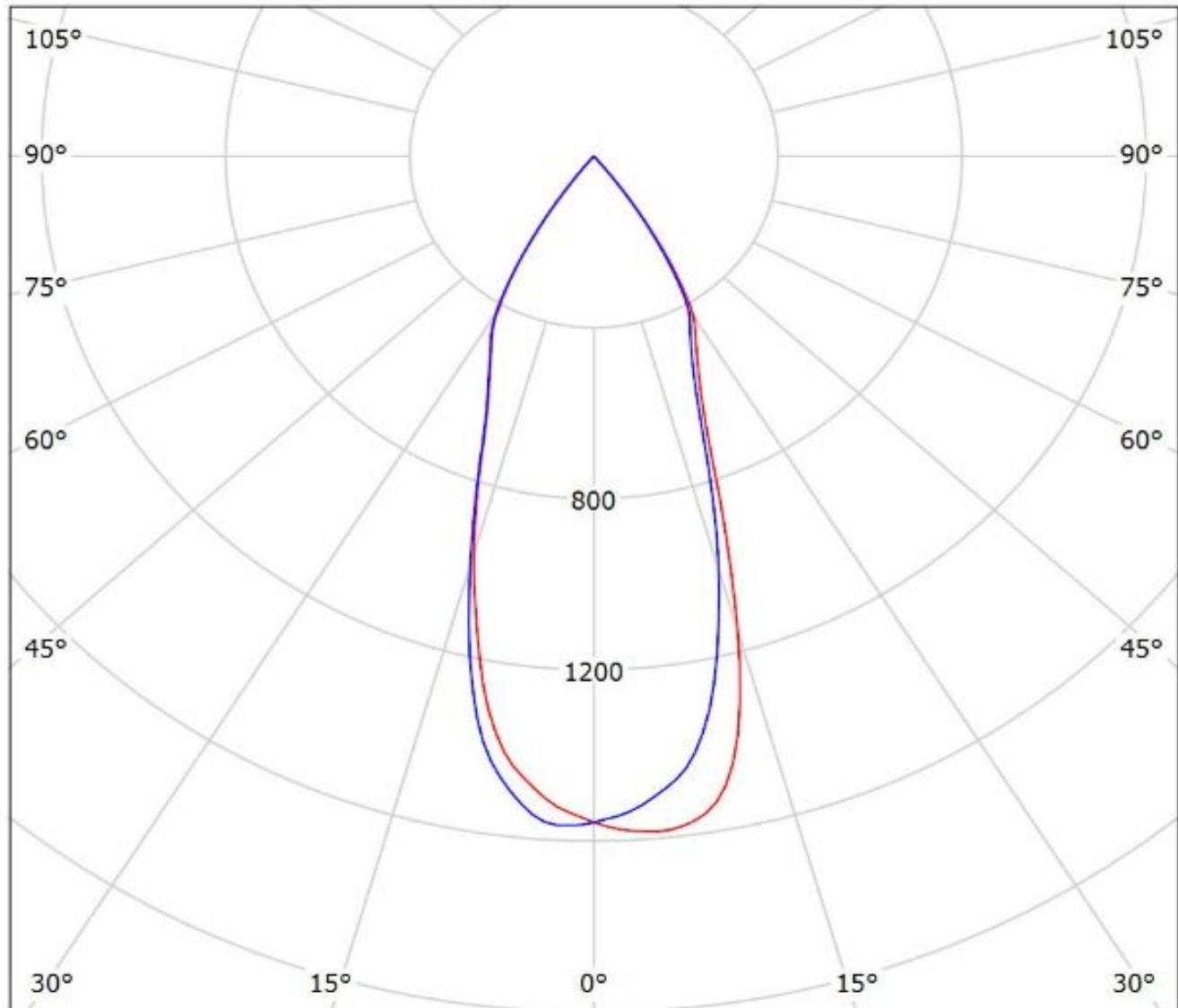


cd/klm

— C0 - C180 — C90 - C270

Luminaire: LEDiL Oy CA10931_BOOM-W_(NFMX48xAR_14chip)

Lamps: 1 x Nichia_NFMX48xAR_14chip_(NFMW488AR)_561.275lm@100mA_P=4.11057W_I=0.100A



cd/klm

— C0 - C180 — C90 - C270

$\eta = 83\%$

NOTE: The typical divergence will be changed by different color, chip size and chip position tolerance. The typical total divergence is the full angle measured where the luminous intensity is half of the peak value.