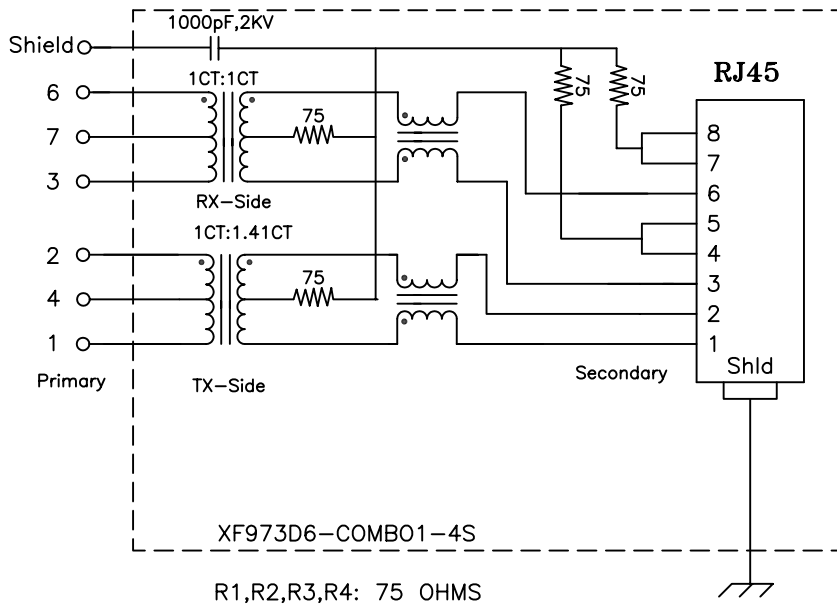


**Schematic:**



**Electrical Specifications: @25°C**

- Isolation Voltage: 1500Vac (Pri to Sec)
- Turns Ratio: TX Side=1CT:1.41CT±3%
- Turns Ratio: RX Side=1CT:1CT±3%
- OCL: Secondary 350uH Min @100KHz 100mV 8mADC
- Insertion Loss @0.1MHz-100MHz: 1.5dB Max TX-Side
- Return Loss @1MHz-30MHz: 16dB Min TX-Side&RX-Side
- Return Loss @40MHz: 13.5dB Min TX-Side&RX-Side
- Return Loss @50MHz: 11.6dB Min TX-Side&RX-Side
- Return Loss @60MHz-80MHz: 10dB Min TX-Side&RX-Side
- CMRR @32MHz(for reference only): 37dB Min TX-Side&RX-Side
- CMRR @100MHz(for reference only): 33dB Min TX-Side&RX-Side
- Cross Talk: 0.1MHz-100MHz(TX--RX)(for reference only) 35dB Min

**Notes:**

1. Solderability: Leads shall meet MIL-STD-202G, Method 208H for solderability.
2. Flammability: UL94V-0
3. ASTM oxygen index: > 28%
4. Insulation System: Class F 155°C. UL file E151556
5. Operating Temperature Range: All listed parameters are to be within tolerance from 0°C to +70°C
6. Storage Temperature Range: -55°C to +125°C
7. Aqueous wash compatible
8. Electrical and mechanical specifications 100% tested
9. RoHS Compliant Component

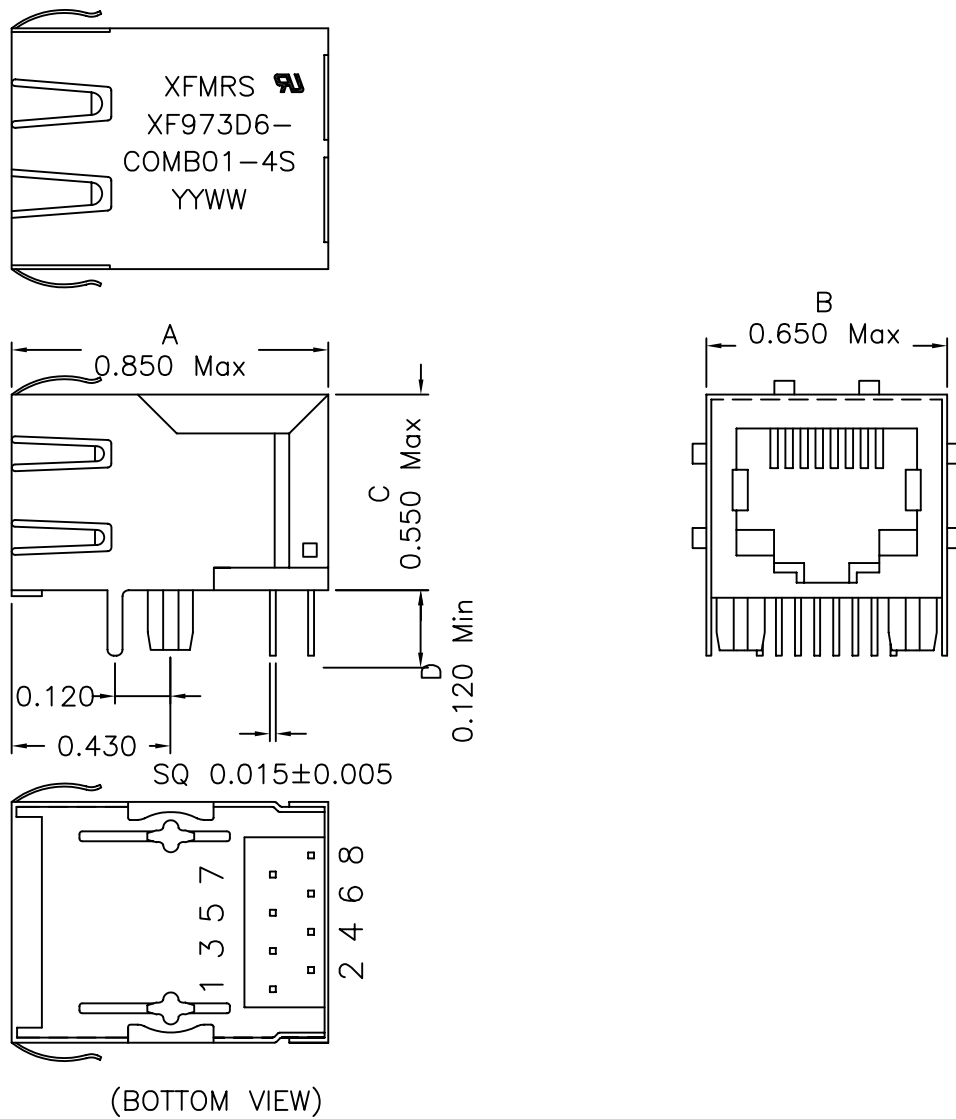
DOC. REV: A/1

<b>XFMRs Inc.</b> www.XFMRS.com		Title: <b>SINGLE PORT COMBO</b>	
UNLESS OTHERWISE SPECIFIED		P/N:XF973D6-COMBO1-4S	REV. A
TOLERANCES: .xxx ±0.010		DWN. Xiany	Aug-04-09
Dimensions in Inch		CHK. YK Liao	Aug-04-09
SHEET 1 OF 2		APP. BW	Aug-04-09

**PROPRIETARY:**

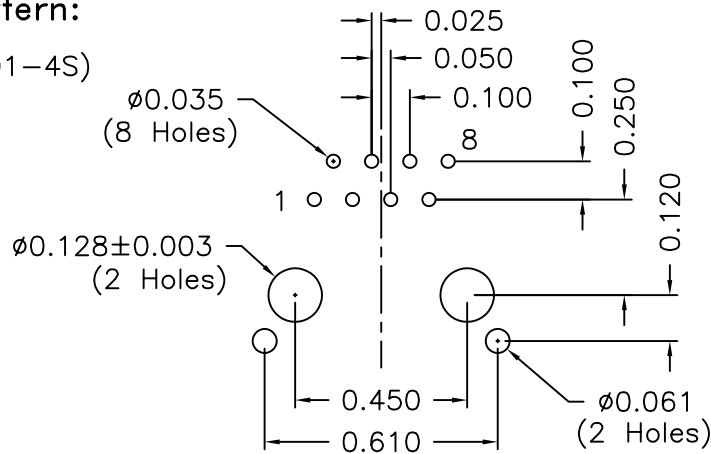
Document is the property of XFMRs Group & is not allowed to be duplicated without authorization.

# Mechanical Dimensions:



## Mounting Pattern:

(FOR COMBO1-4S)  
(COMP SIDE)



DOC. REV: A/1

**XFMRs Inc.**  
www.XFMRS.com

Title: Mechanical Dimensions  
For COMBO1-4MS Series

UNLESS OTHERWISE SPECIFIED

P/N:XF973D6-COMBO1-4S

REV. A

TOLERANCES:  
.xxx ±0.010

DWN.

Xianyi

Aug-04-09

Dimensions in Inch

CHK.

YK Liao

Aug-04-09

SHEET 2 OF 2

APP.

BW

Aug-04-09

**PROPRIETARY:**

Document is the property of XFMRs Group & is not allowed to be duplicated without authorization.