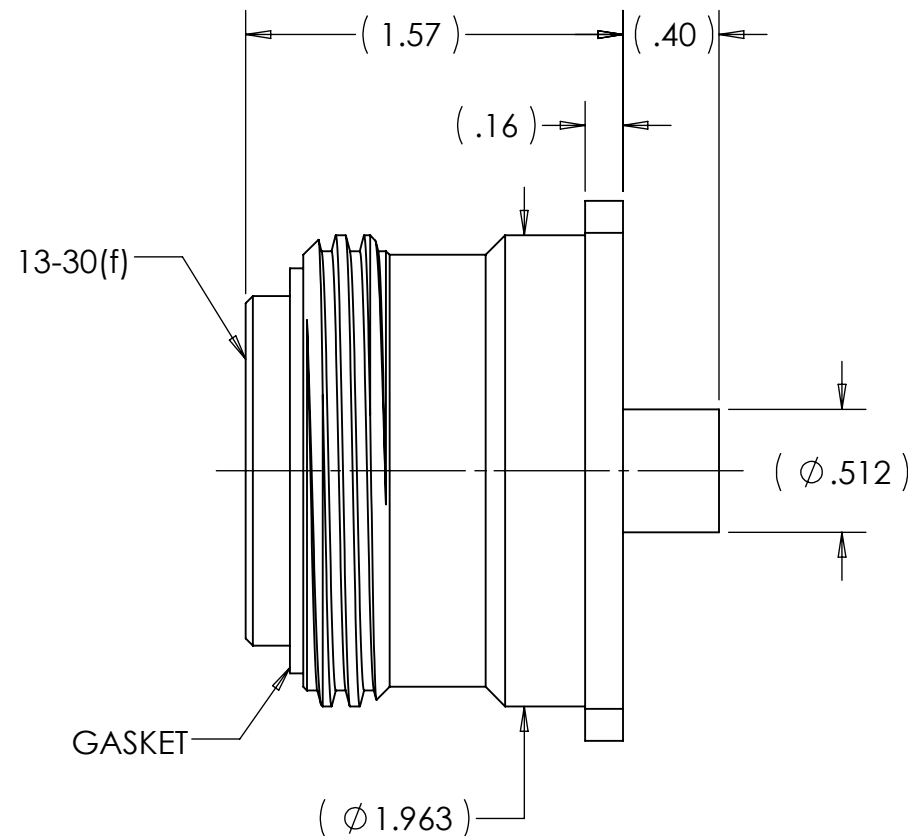
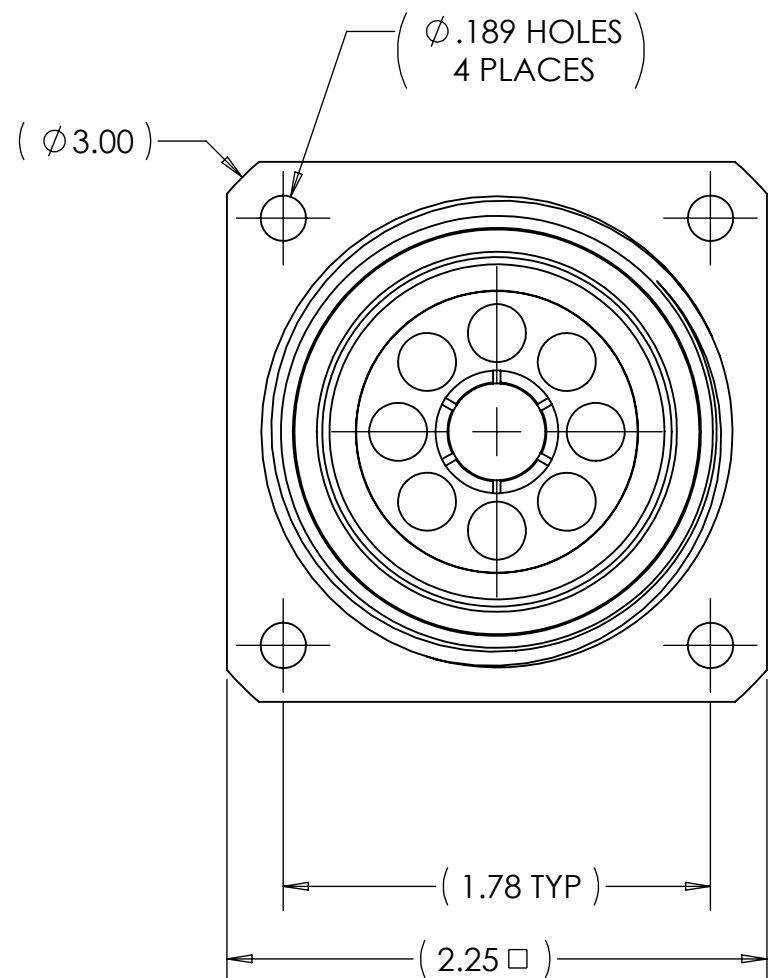
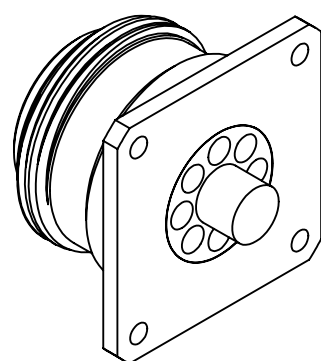
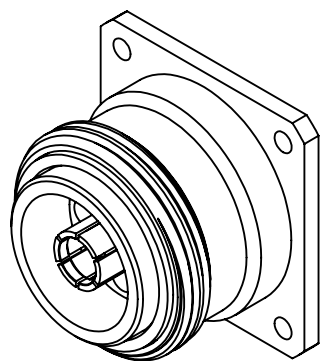


This document, including the design, configuration and mechanical features revealed herein are the sole, confidential and proprietary property of TRU Corporation. Reproduction or use thereof, in whole or part, is prohibited without the prior written consent of TRU Corporation.

REV.	DESCRIPTION	DATE	APPROVED
-	ORIGINAL ISSUE	12/29/11	AM



ENGINEERING DATA:


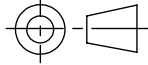
ELECTRICAL:
IMPEDANCE: 50 OHMS NOMINAL

INTERFACE:
13-30(f): PER IEC 60169-5

MATERIAL:
BODY: BRASS
CENTER CONTACTS: BRASS & BERYLLIUM COPPER
GASKET: SILICONE RUBBER
INSULATORS: TEFLON

FINISH:
BODY: NICKEL PLATED
CENTER CONTACTS: SILVER PLATED

NOTES:
1. UNLESS OTHERWISE SPECIFIED; ALL DIMENSIONS ARE REFERENCE ONLY.

MATERIAL	DO NOT SCALE DRAWING	DRAWN AM	DATE 12/28/11	 TRU Corporation 245 Lynnfield St, Peabody, MA 01960 <i>EXPERIENCE. TRU INNOVATION.</i>
	UNLESS OTHERWISE SPECIFIED: DIMENSIONS ARE IN INCHES TOLERANCES: FRACTIONS: ±1/64 .XX : ±.01 .XXX: ±.005 ANGLES: ±1/2° MACHINED SURFACES: 63/√	ENG APPR. AM	DATE 12/28/11	
COMMENTS:		THIRD ANGLE PROJECTION 	MFG APPR.	DATE
	OTHER APPR.		DATE	DWG. NO. TRU-11878
surface area: sq inch	weight: lbs	CAGE CODE: 92180		SCALE: 1.25:1
				REV -
				SHEET 1 OF 1