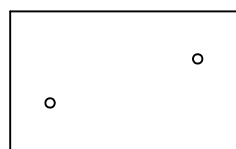
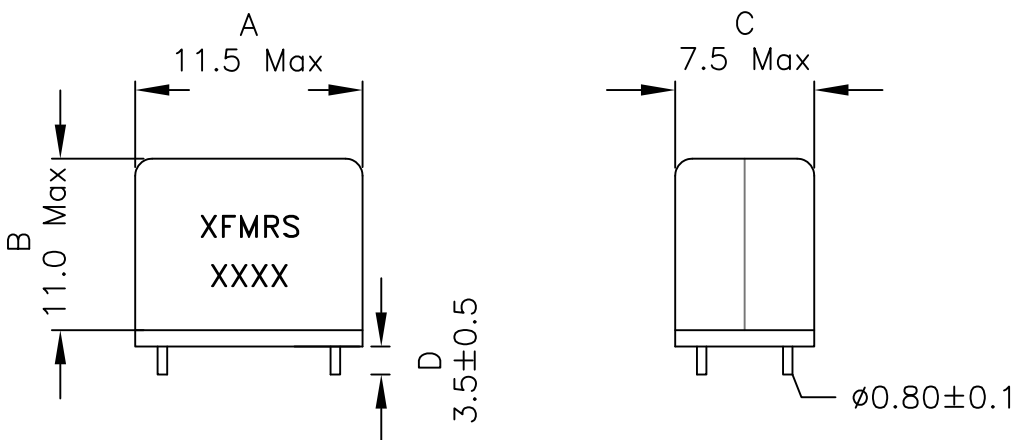
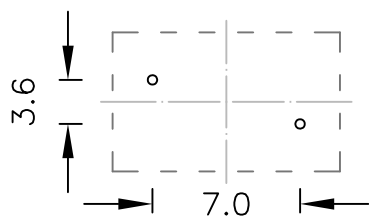


# XFMRs

## XFCD101164-xxxx Class D Amplifier Inductors

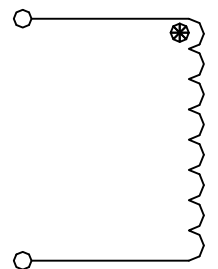


Bottom view



Recommended PC Board Layout

### Schematic:



TOLERANCE:  
.xxx ±0.250  
Dimensions in MM

Part Number	OCL 1KHz,1.0V (uH) ±20%	DCR Max 25°C (mOhms)	I <sub>rms</sub> CURRENT TYP. (A)	SATURATION CURRENT 10% TYP. Drop (Adc)
XFCD101164-100M	10	20.5	4.5	7.5
XFCD101164-150M	15	20.5	4.5	5.0
XFCD101164-220M	22	20.5	4.5	3.5
XFCD101164-330M	33	20.5	4.5	2.0

### Notes:

- Solderability: Leads shall meet MIL-STD-202G, Method 208H for solderability.
- Flammability: UL94V-0
- ASTM oxygen index: > 28%
- Insulation System: Class F 155°C. UL file E151556
- All listed parameters are to be within tolerance from -40°C to +125°C unless otherwise noted.  
Ambient temperature: -40°C to +85°C referring to I<sub>rms</sub>
- Storage Temperature Range: -20°C to +40°C
- Aqueous wash compatible
- Electrical and mechanical specifications 100% tested
- RoHS Compliant Component
- Outsourced item processed & controlled under XFMRs QA system

AEC-Q200