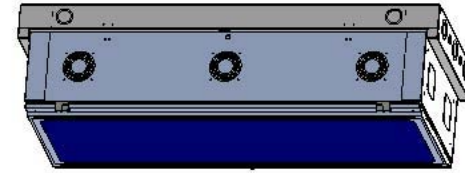
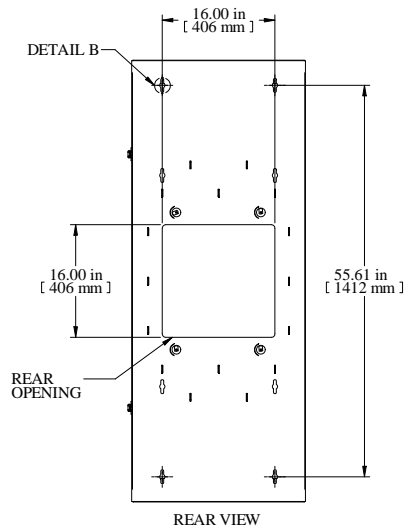
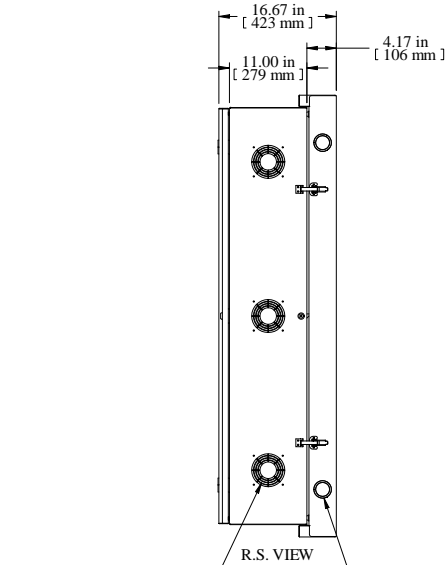
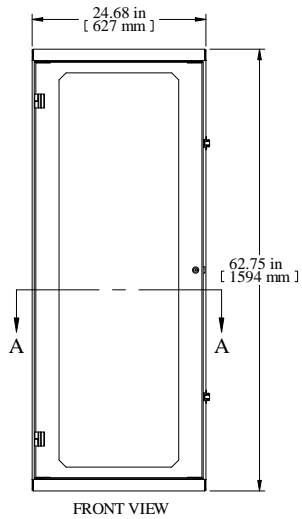
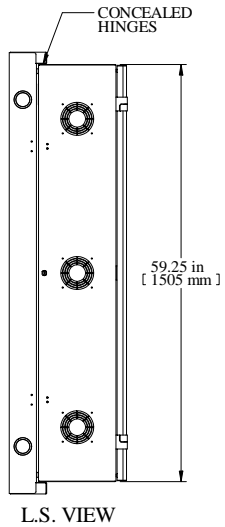
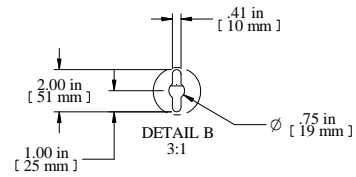
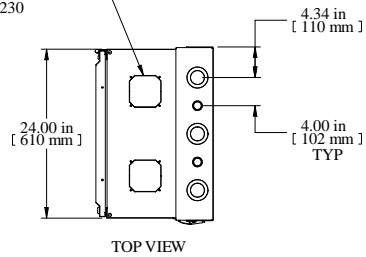


FAN KNOCKOUT PATTERN
 OPTIONAL FANS:
 DNMF100AC115
 DNMF100AC230



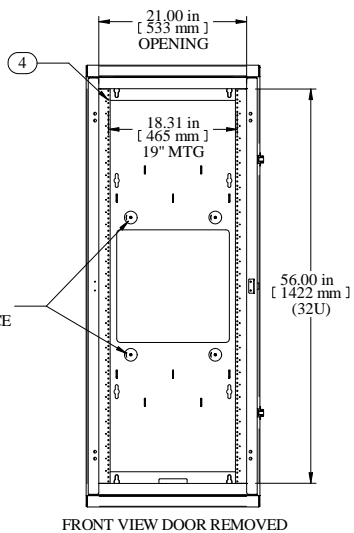
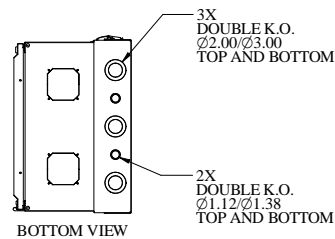
Item Number	Title	Quantity
1	HWM - REAR MOUNT ASSY	1
2	HWM - CENTRE SECTION	1
3	HWM - WINDOW DOOR ASSY	1
4	19" TAPPED PANEL RAILS (PAIR)	1

PART NUMBERS	
HWM2432U11BK	PAINTED BLACK SAND TEXTURED WINDOW FRONT DOOR

NOTES
See Hammond Website for Additional Accessories

FAN CUTOUT PATTERN
 OPTIONAL FANS:
 DNMF100AC115
 DNMF100AC230

2X DOUBLE K.O.
 Ø2.00/Ø2.50
 BOTH SIDES



POWER BAR MOUNTING WITHOUT USING 'U' SPACE

Data subject to change without notice. Isometric drawing not to scale.

**HAMMOND
 MANUFACTURING™**

www.hammondmfg.com

PART NO. HWM2432U11WDBK