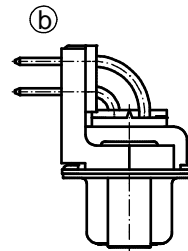
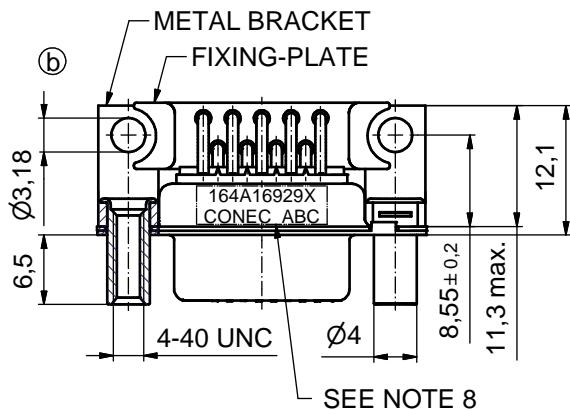
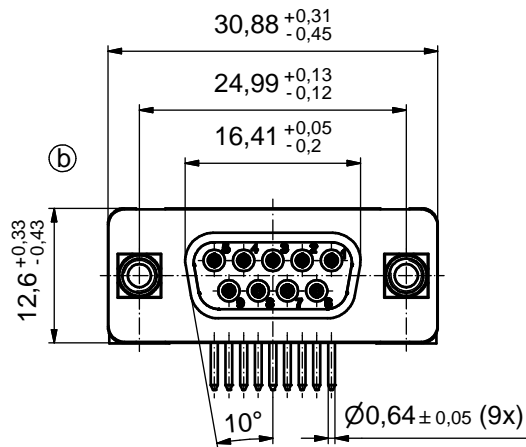
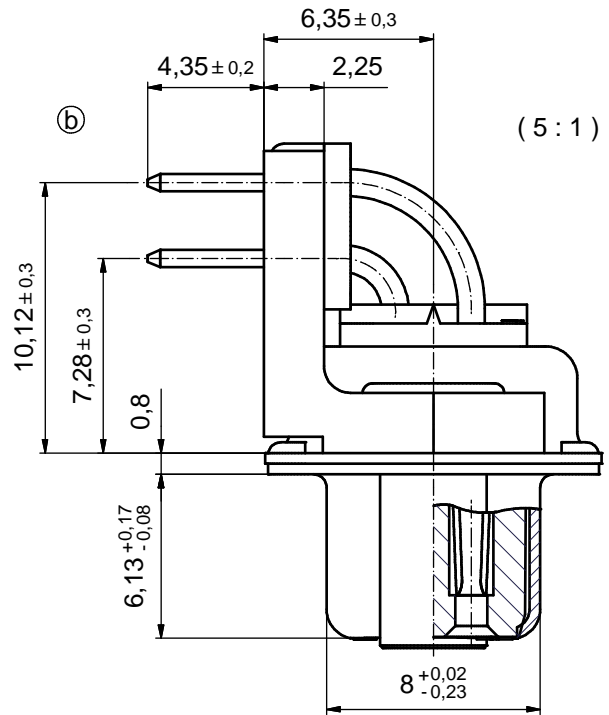
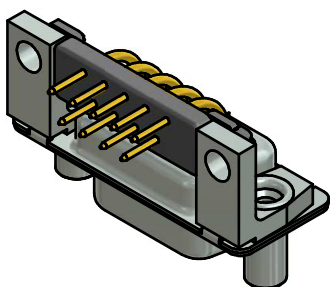


P.C.B. HOLE DRILLINGS
 (P.C.B. TOP SIDE)



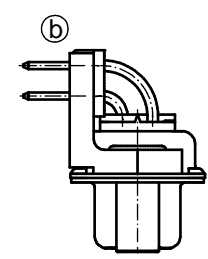
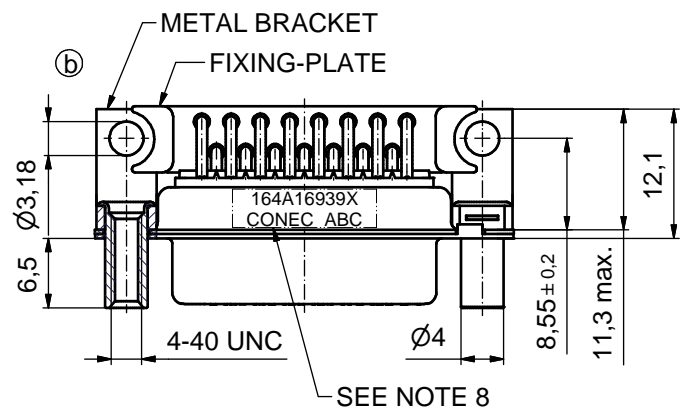
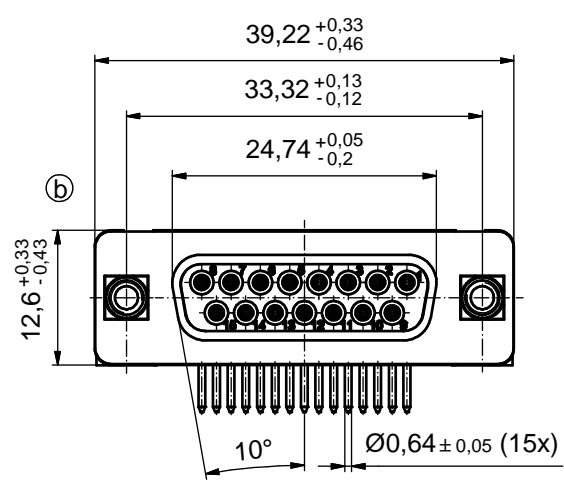
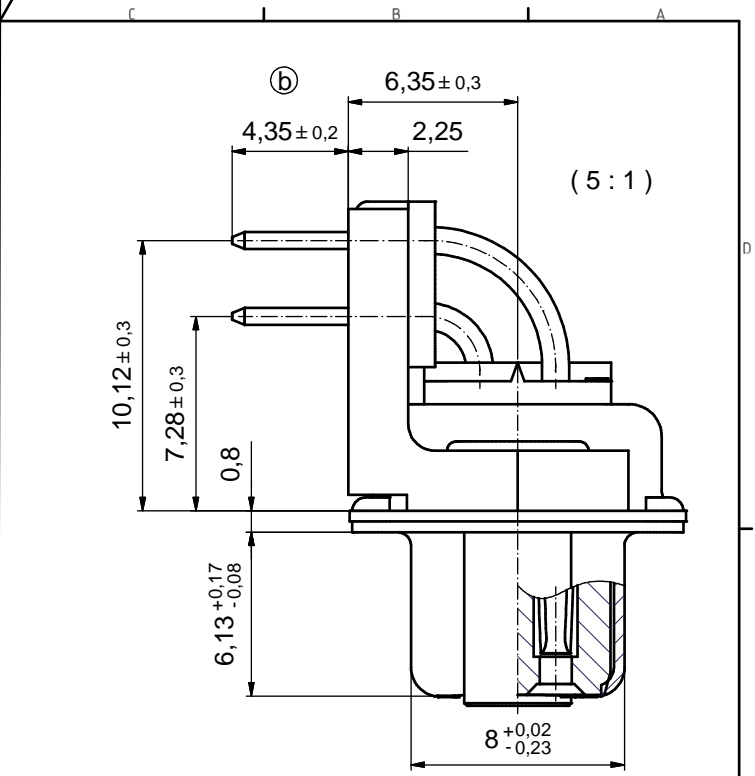
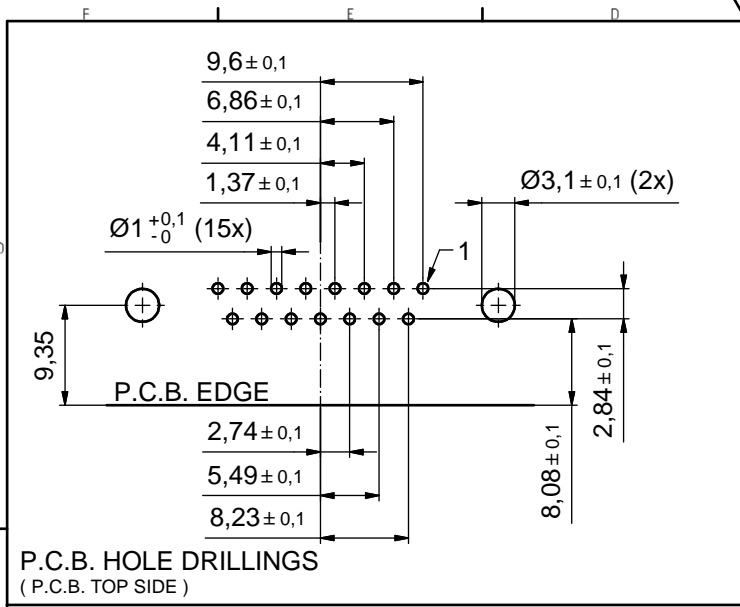
(b) NOTES:

1. METAL SHELLS: STEEL; min. 315µm TIN over 40-80µm NICKEL
2. INSULATORS: PBT GF UL 94 V-0; BLACK
3. CONTACTS: COPPER ALLOY
 PLATING: GOLD FLASH over NICKEL
4. METAL BRACKETS: ZINC DIE CAST; 300µm COPPER/40-120µm NICKEL/120-200µm TIN
5. THREADED LOCKS: COPPER ALLOY; min. 200µm TIN over 80µm NICKEL
6. FIXING-PLATE: PBT GF UL 94 V-0; BLACK
7. MAXIMUM TORQUE VALUE FOR THREAD: 6 in.LB
8. CONNECTOR IS PART MARKED: **164A16929X CONEC ABC**



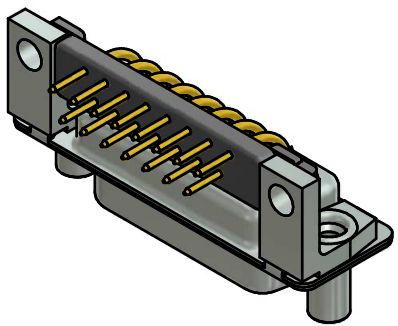
Directive 2002/95/EC RoHS compliant

THIS DRAWING MAY NOT BE COPIED OR REPRODUCED IN ANY WAY, AND MAY NOT BE PASSED ON TO A THIRD PARTY WITHOUT WRITTEN PERMISSION. OWNERSHIP AND COPYRIGHT OF CONEC GmbH DO NOT ALTER CAD DRAWING BY HAND				tolerance		dim. in mm	scale: 2:1 (5:1)	
				date			material: SEE NOTES	
				drawn	20.11.00	Perei	title: D-SUB FEMALE 90° 9pos. SOLDER PIN ANGLED 0.318inch with threaded lock, metal bracket and fixing-plate	
				appd.	20.11.00	Mickenbecker		
				norm	DIN 41652			
				d-old			dwg no:	
5 x b	A3862	20.01.11	Lehm.	CONEC [®]		16K1A091A		DIN-A3
a	Origin					part no: 164A16929X		sh: 1/6
rev.	description	date	name					



(b) NOTES:

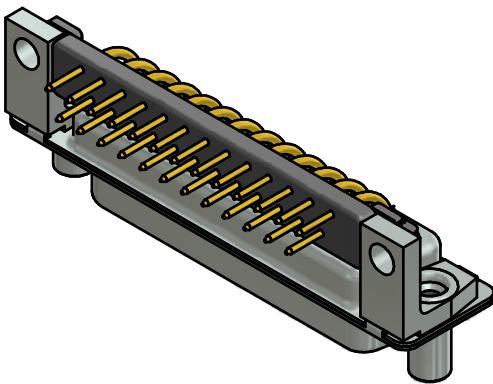
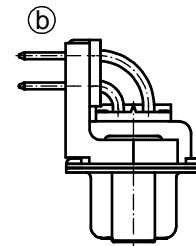
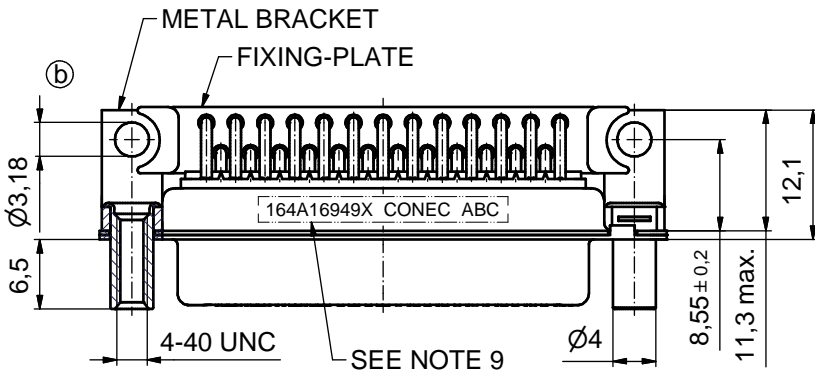
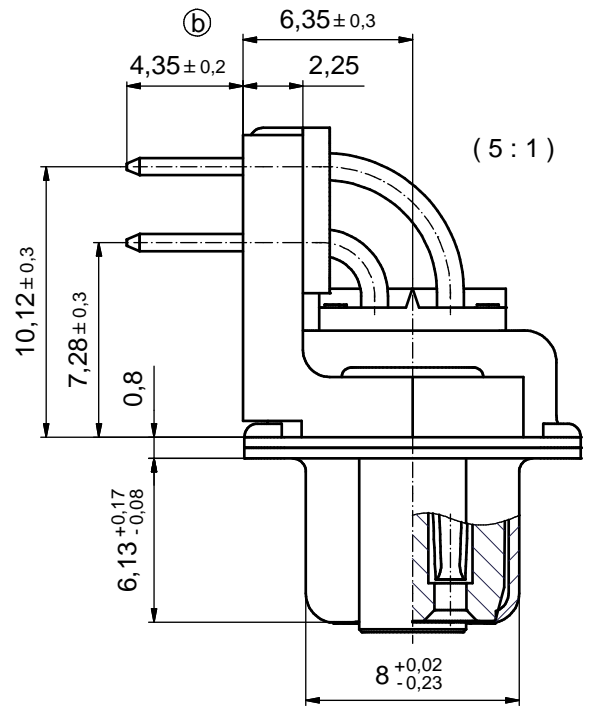
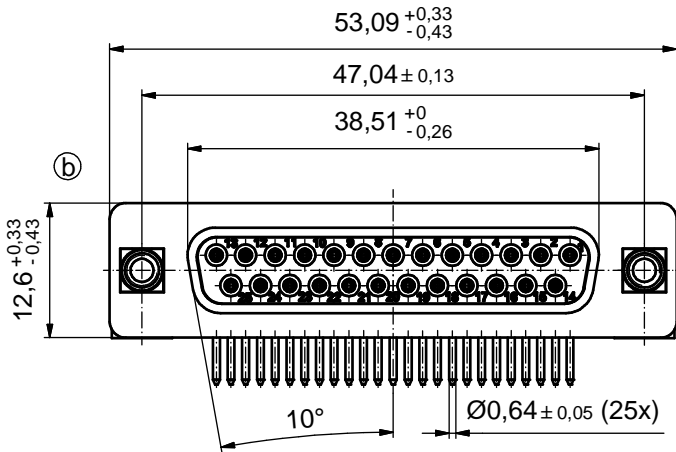
- METALSHELLS: STEEL; min. 315µin TIN over 40-80µin NICKEL
- INSULATORS: PBT GF UL 94 V-0; BLACK
- CONTACTS: COPPER ALLOY
PLATING: GOLD FLASH over NICKEL
- METAL BRACKETS: ZINC DIE CAST; 300µin COPPER/40-120µin NICKEL/120-200µin TIN
- THREADED LOCKS: COPPER ALLOY; min. 200µin TIN over 80µin NICKEL
- FIXING-PLATE: PBT GF UL 94 V-0; BLACK
- MAXIMUM TORQUE VALUE FOR THREAD: 6 in.LB
- CONNECTOR IS PART MARKED: **164A16939X CONEC ABC**



Directive 2002/95/EC RoHS compliant

THIS DRAWING MAY NOT BE COPIED OR REPRODUCED IN ANY WAY, AND MAY NOT BE PASSED ON TO A THIRD PARTY WITHOUT WRITTEN PERMISSION. OWNERSHIP AND COPYRIGHT OF CONEC GmbH DO NOT ALTER CAD DRAWING BY HAND	tolerance		dim. in mm		scale:	2:1 (5:1)	
					material:	SEE NOTES	
	date	name		title:			
	drawn	20.11.00	Parei		D-SUB FEMALE 90°		
	appd.	20.11.00	E. Mickenbecker		15pos. SOLDER PIN ANGLED 0.318inch with threaded lock, metal bracket and fixing-plate		
norm	DIN 41652		dwg no:				
d-old			16K1A091A				
5 x b	A3862	20.01.11	Lehm.	part no:			
a	Origin			164A16939X			
rev.	description	date	name	sh: 2/6			





(b) NOTES:

1. METALSHELLS: STEEL; min. 315µm TIN over 40-80µm NICKEL
2. INSULATORS: PBT GF UL 94 V-0; BLACK
3. CONTACTS: COPPER ALLOY
PLATING: GOLD FLASH over NICKEL
4. METAL BRACKETS: ZINC DIE CAST; 300µm COPPER/40-120µm NICKEL/120-200µm TIN
5. THREADED LOCKS: COPPER ALLOY; min. 200µm TIN over 80µm NICKEL
6. FIXING-PLATE: PBT GF UL 94 V-0; BLACK
7. P.C.B. HOLE DRILLINGS SEE SHEET 4
8. MAXIMUM TORQUE VALUE FOR THREAD: 6 in.LB
9. CONNECTOR IS PART MARKED: **164A16949X CONEC ABC**

Directive 2002/95/EC RoHS compliant

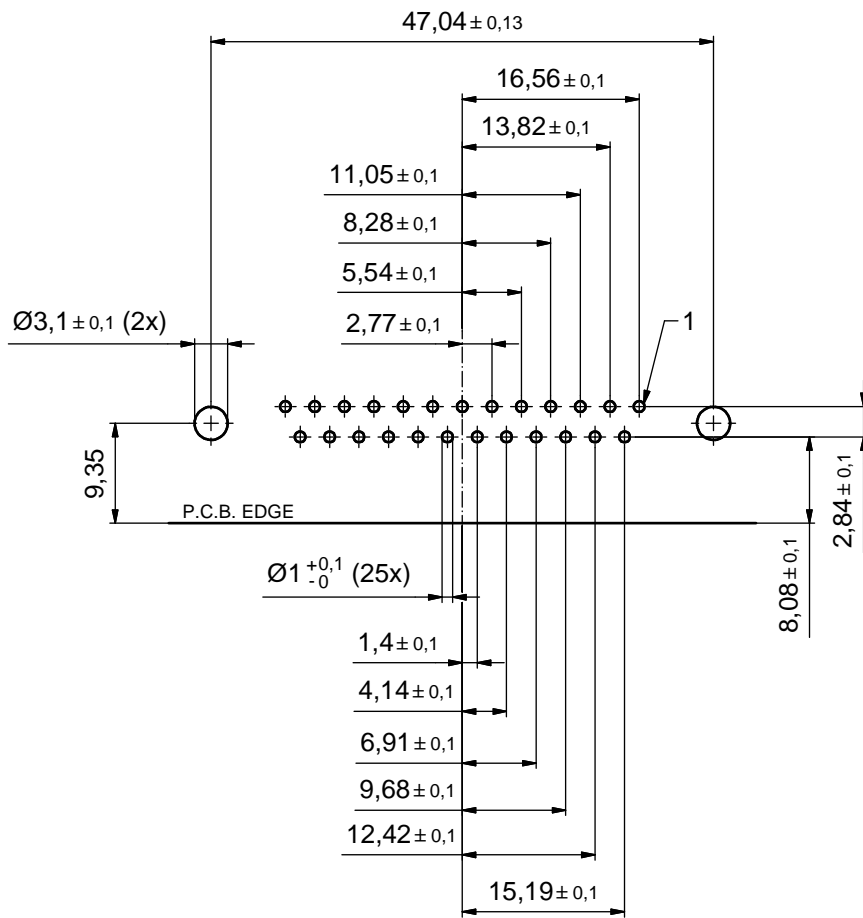
THIS DRAWING MAY NOT BE COPIED OR REPRODUCED IN ANY WAY, AND MAY NOT BE PASSED ON TO A THIRD PARTY WITHOUT WRITTEN PERMISSION. OWNERSHIP AND COPYRIGHT OF CONEC GmbH

DO NOT ALTER CAD DRAWING BY HAND

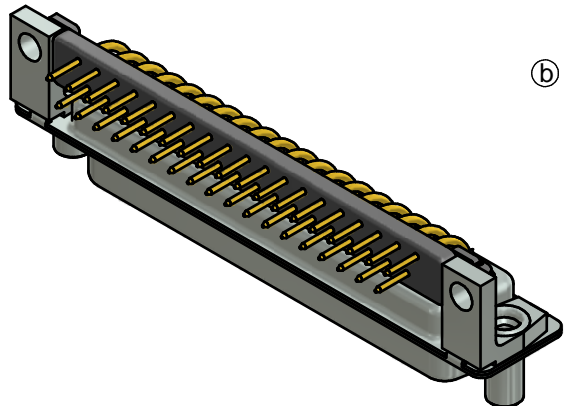
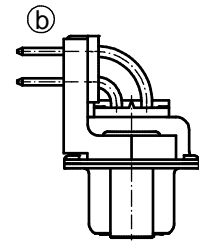
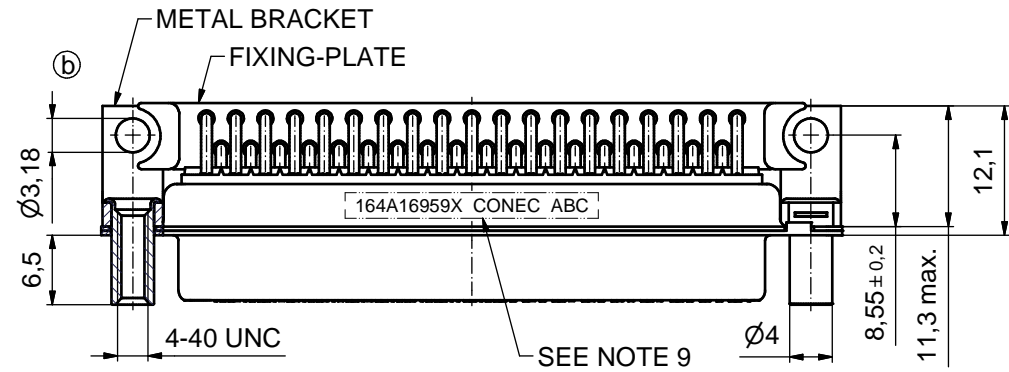
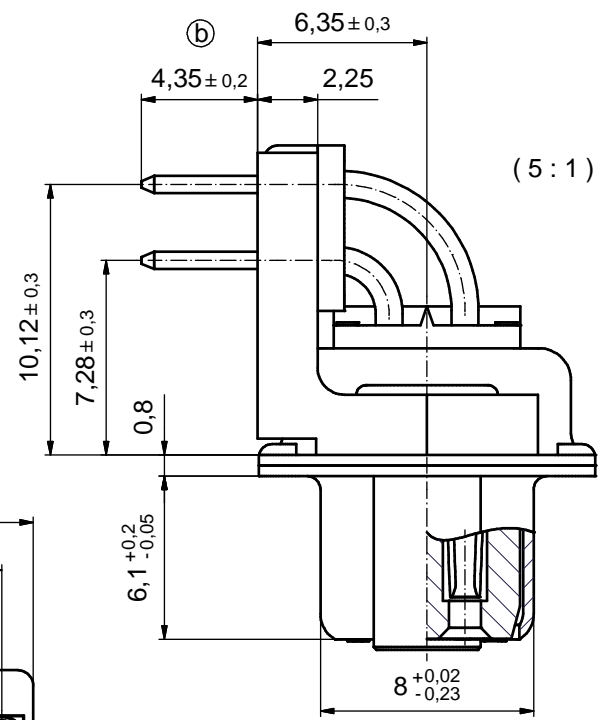
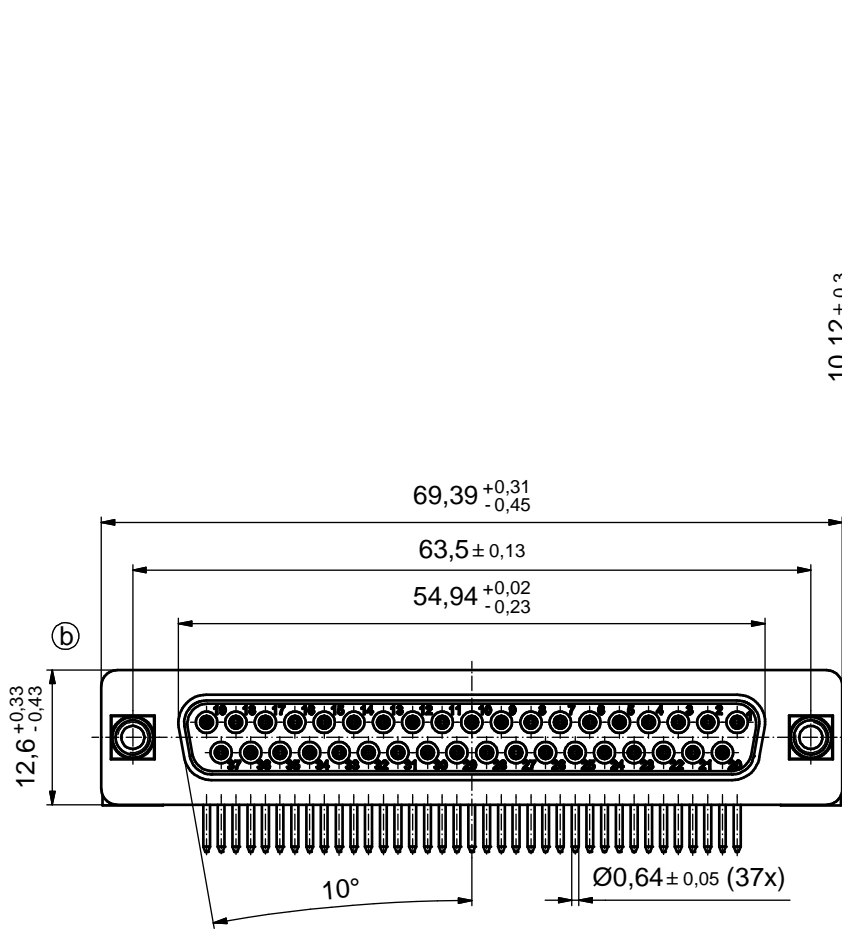
				tolerance			scale: 2:1 (5:1)			
				dim. in mm			material: SEE NOTES			
				date	name		title: D-SUB FEMALE 90° 25pos. SOLDER PIN ANGLED 0.318inch with threaded lock, metal bracket and fixing-plate			
				drawn	20.11.00	Parei				
				appd.	20.11.00	E. Mickenbecker				
					norm		DIN 41652			
					d-old					
5 x b	A3862	20.01.11	Lehm.						dwg no:	DIN-A3
a	Origin								part no:	16K1A091A
rev.	description	date	name	part no: 164A16949X						

P.C.B. HOLE DRILLINGS

(P.C.B. TOP SIDE)



THIS DRAWING MAY NOT BE COPIED OR REPRODUCED IN ANY WAY, AND MAY NOT BE PASSED ON TO A THIRD PARTY WITHOUT WRITTEN PERMISSION. OWNERSHIP AND COPYRIGHT OF CONEC GmbH DO NOT ALTER CAD DRAWING BY HAND					tolerance	dim. in mm	scale: 2:1		
					date		name	material: SEE SHEET3	
					drawn	20.11.00	Perei	title: P.C.B. HOLE DRILLINGS D-SUB FEMALE 90° 25pos. 0.318inch with threaded lock, metal bracket and fixing-plate	
					appd.	20.11.00	E. Mickenbecker		
					norm				
					d-old				
		a	Origin					dwg no:	DIN-A3
	rev.	description	date	name				16K1A091A	sh: 4/6
								part no: SEE SHEET3	



NOTES:

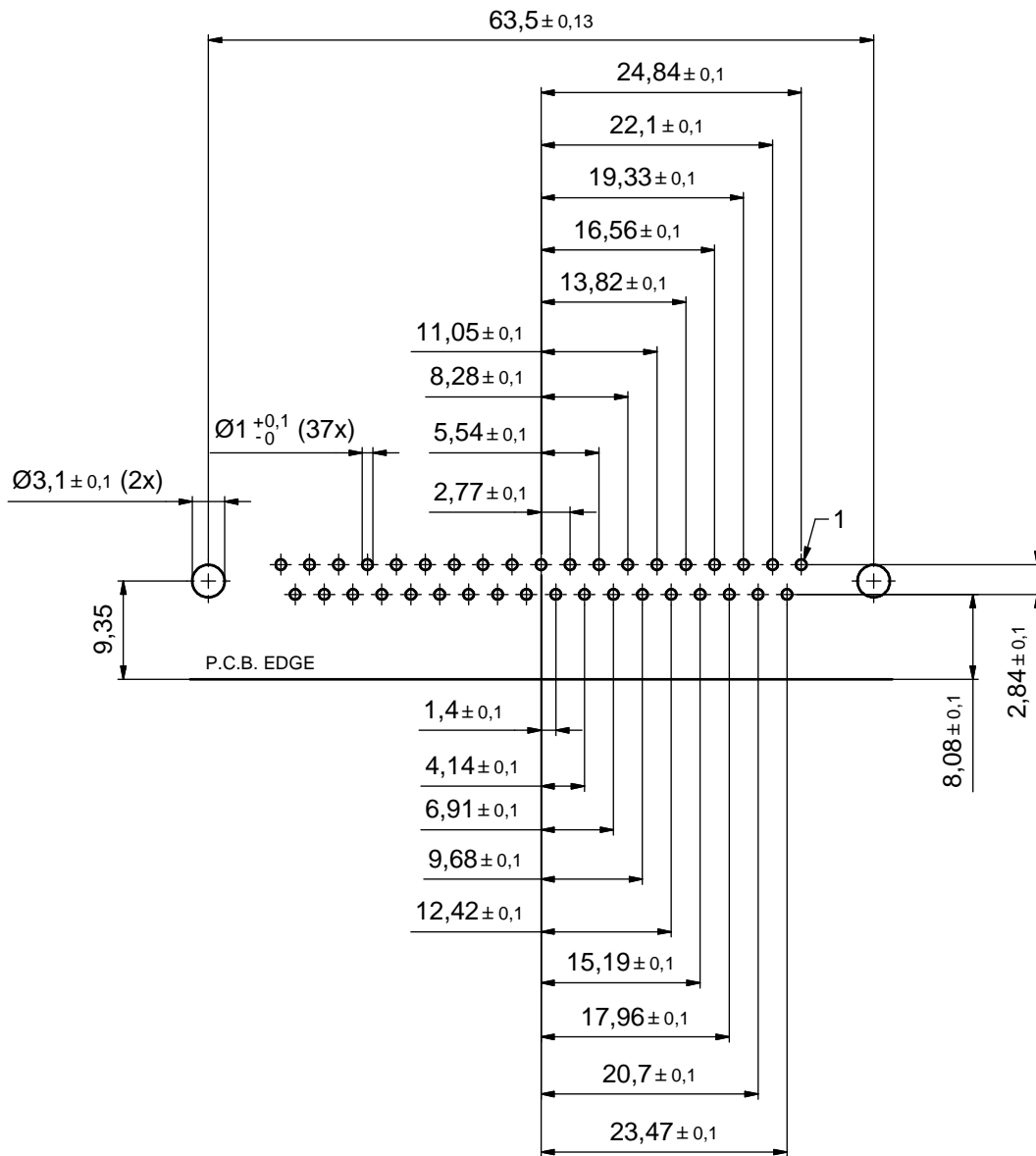
1. METALSHELLS: STEEL; min. 315µm TIN over 40-80µm NICKEL
2. INSULATORS: PBT GF UL 94 V-0; BLACK
3. CONTACTS: COPPER ALLOY
PLATING: GOLD FLASH over NICKEL
4. METAL BRACKETS: ZINC DIE CAST; 300µm COPPER/40-120µm NICKEL/120-200µm TIN
5. THREADED LOCKS: COPPER ALLOY; min. 200µm TIN over 80µm NICKEL
6. FIXING-PLATE: PBT GF UL 94 V-0; BLACK
7. P.C.B. HOLE DRILLINGS SEE SHEET 6
8. MAXIMUM TORQUE VALUE FOR THREAD: 6 in.LB
9. CONNECTOR IS PART MARKED: **164A16959X CONEC ABC**

Directive 2002/95/EC RoHS compliant

THIS DRAWING MAY NOT BE COPIED OR REPRODUCED IN ANY WAY, AND MAY NOT BE PASSED ON TO A THIRD PARTY WITHOUT WRITTEN PERMISSION. OWNERSHIP AND COPYRIGHT OF CONEC GmbH DO NOT ALTER CAD DRAWING BY HAND	tolerance		dim. in mm		scale: 2:1 (5:1)
					material: SEE NOTES
	drawn	20.11.00	Parei		title: D-SUB FEMALE 90° 37pos. SOLDER PIN ANGLED 0.318inch with threaded lock, metal bracket and fixing-plate
	appd.	20.11.00	E. Mickenbecker		
	norm				
d-old				dwg no:	
5 x b	A3862	20.01.11	Lehm.		DIN-A3
a	Origin				sh: 5/6
rev.	description	date	name	CONEC	
				part no:	164A16959X

P.C.B. HOLE DRILLINGS

(P.C.B. TOP SIDE)



THIS DRAWING MAY NOT BE COPIED OR REPRODUCED IN ANY WAY, AND MAY NOT BE PASSED ON TO A THIRD PARTY WITHOUT WRITTEN PERMISSION. OWNERSHIP AND COPYRIGHT OF CONEC GmbH DO NOT ALTER CAD DRAWING BY HAND				tolerance		scale: 2:1
					dim. in mm	material: SEE SHEET 5
				date	name	title: P.C.B. HOLE DRILLINGS D-SUB FEMALE 37pos. 0.318inch with threaded lock, metal bracket and fixing-plate
				drawn 20.11.00	Parei	
				appd. 20.11.00	E. Mickenbecker	
			norm		dwg no:	
			d-old			
	a	Origin				DIN-A3
	rev.	description	date	name	CONEC [®]	sh: 6/6
					part no: SEE SHEET 5	