

LDO10C Series

50 Watts

Data Sheet

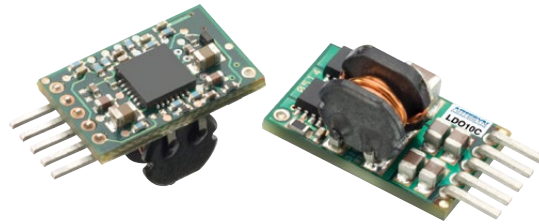
Total Power: 50 Watts
Input Voltage: 3 - 13.8 Vdc
of Outputs: Single

SPECIAL FEATURES

- 10 A output current rating
- Input voltage range: 3 - 13.8 Vdc
- Adjustable output voltage: 0.59 - 5.1 V
- Excellent transient response
- Power enable (5-pin model)
- Minimum airflow
- Small package
- Termination voltage capability
- RoHS compliant

SAFETY

- UL, cUL 60950-1
- TÜV Product Service (EN60950)
- CE



Electrical Specifications

Input		
Input voltage range		3 - 13.8 Vdc
Input current	Minimum load Remote OFF	50 mA 5 mA
Input current (max.)	See Note 3	10 A @ I _o max.
Start-up time	Power up Remote ON/OFF	3 ms 2 ms
Output		
Output voltage	See Note 5	0.59 - 5.1 V
Output setpoint accuracy	0.1% trim resistors	±1.0%
Line regulation	Low line to high line	±0.2%
Load regulation	Full load to min. load	±0.5%
Min./max. load		0 A/10 A
Overshoot	At turn-on	0.5% max.
Undershoot	At turn-off	100 mV max.
Ripple and noise 5 Hz to 20 MHz	See Note 1	20 mV V _{in} = 5 V, V _{out} = 2.5 V
Transient response	See Note 1, 2	130 mV max. deviation 15 μs recovery to within regulation band
General		
Efficiency (high input)	V _{in} = 5 V, V _o = 2.5 V, I _o = 6 A	91%
Switching frequency	Fixed	620 kHz
Material flammability		UL94V-0
Weight		1.899 g (0.067 oz.)
MTBF	12 V @ 40 °C, 100% load Bellcore 332	>8,222,210 hours
Coplanarity	Surface mount models	150 μm

Environmental Specifications

Thermal performance	Operating ambient temperature	-40 °C to +85 °C
See Note 5	Non-operating ambient temperature	-40 °C to +125 °C
Protection		
Short-circuit	Hiccup, non-latching	
Recommended System Capacitance		
Input	See Note 6	0 μ F
Output	See Note 7	0 μ F

Ordering Information

Model Number ^(3,5)	Output Power (Max.)	Input Voltage	Output Voltage	Output Current (Min.)	Output Current (Max.)	Efficiency (Typical)	Regulation	
							Line	Load
LDO10C-005W05-VJ	50 W	3 - 13.8 Vdc	0.59 - 5.1 V	0 A	10 A	94%	\pm 0.2%	\pm 0.5%
LDO10C-005W05-HJ	50 W	3 - 13.8 Vdc	0.59 - 5.1 V	0 A	10 A	94%	\pm 0.2%	\pm 0.5%
LDO10C-005W05-SJ	50 W	3 - 13.8 Vdc	0.59 - 5.1 V	0 A	10 A	94%	\pm 0.2%	\pm 0.5%

Part Number System with Options

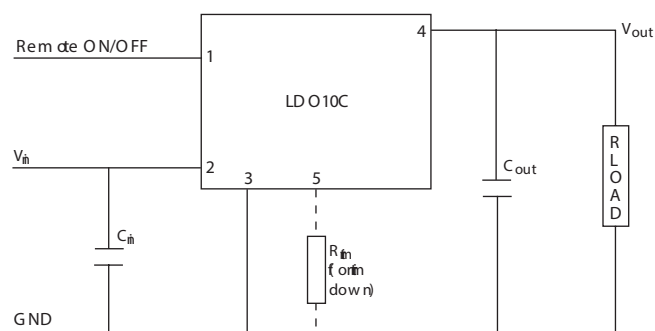
Product Family	Rated Output Current	Performance	Input Voltage	Number of Pins Type of Output	Output Voltage	Mounting Option	Custom Option	RoHS Compliance
LDO	10	C	00	5W	05	V	X	J
Product Family LDO = LDO Series	Rated Output Current 10 = 10 Amp	Performance C = Cost Optimized	Input Voltage 00 = 3 - 13.8 V	Type of Output 5 W = 5 Pins and Wide Output	Output Voltage 05 = 0.59 - 5.1 V	Mounting Option V = Vertical H = Horizontal S = SMT	Custom Option	RoHS Compliance J = Pb free (RoHS 6/6 compliant)

Output Voltage Adjustment of the LDO10C Series

The ultra-wide output voltage trim range offers major advantages to users who select the LDO10C series. It is no longer necessary to purchase a variety of modules in order to cover different output voltages. The output voltage can be trimmed in a range of 0.59 - 5.1 Vdc. When the LDO10C converter leaves the factory, the output has been adjusted to the default voltage of 0.59 V.

Notes:

1. Measured as per recommended system capacitance. See Application Note 186.
2. $di/dt = 10 \text{ A}/\mu\text{s}$, $V_{in} = \text{Nom}$, $T_c = 25 \text{ }^\circ\text{C}$, load change = 0.50 I_o to full I_o and full I_o to 0.50.
3. External input fusing is recommended.
4. Additional part numbers may be available with different output voltages.
5. Airflow dependent, 100 LFM minimum required.
6. No capacitors needed for ripple current stability.
7. No capacitors needed for stability.
8. NOTICE: the input voltage must be greater than the programmed output voltage. The max duty cycle is 95%. These non-isolated dc-dc modules are buck converters.



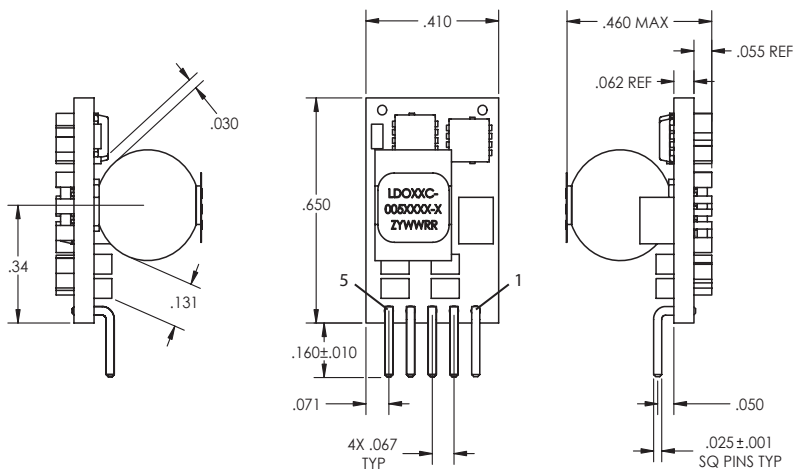
Standard Application Drawing

Mechanical Drawings

Vertical Mount

Dimensions in inches (mm). Tolerances (unless otherwise specified) 2 Places ± 0.030 (± 0.76) 3 Places ± 0.010 (± 0.25)

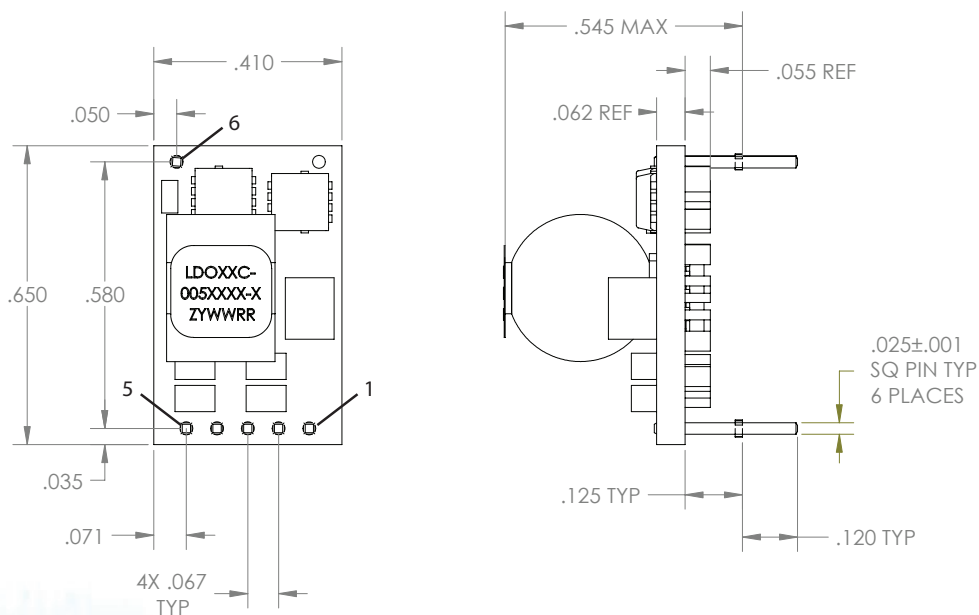
Pin Assignments	
Pin No.	Function
1	Enable
2	Vin
3	Common/RTN
4	Vout
5	Trim



Horizontal Mount

Dimensions in inches (mm). Tolerances (unless otherwise specified) 2 Places ± 0.030 (± 0.76) 3 Places ± 0.010 (± 0.25)

Pin Assignments	
Pin No.	Function
1	Enable
2	Vin
3	Common/RTN
4	Vout
5	Trim
6	Mech Pin

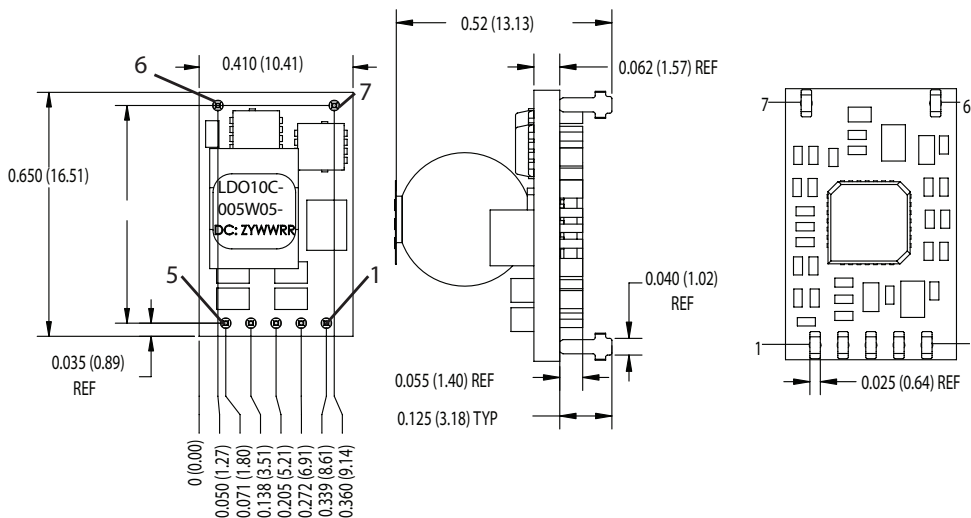


Mechanical Drawings

Vertical Mount

Dimensions in inches (mm). Tolerances (unless otherwise specified) 2 Places ± 0.030 (± 0.76) 3 Places ± 0.010 (± 0.25)

Pin Assignments	
Pin No.	Function
1	Enable
2	Vin
3	Common/RTN
4	Vout
5	Trim
6	Mech Pin
7	Mech Pin



WORLDWIDE OFFICES

Americas

2900 S.Diablo Way
Tempe, AZ 85282
USA
+1 888 412 7832

Europe (UK)

Waterfront Business Park
Merry Hill, Dudley
West Midlands, DY5 1LX
United Kingdom
+44 (0) 1384 842 211

Asia (HK)

14/F, Lu Plaza
2 Wing Yip Street
Kwun Tong, Kowloon
Hong Kong
+852 2176 3333

ARTESYN[™]
EMBEDDED TECHNOLOGIES

www.artesyn.com

While every precaution has been taken to ensure accuracy and completeness in this literature, Artesyn Embedded Technologies assumes no responsibility, and disclaims all liability for damages resulting from use of this information or for any errors or omissions. Artesyn Embedded Technologies, Artesyn and the Artesyn Embedded Technologies logo are trademarks and service marks of Artesyn Embedded Technologies, Inc. All other names and logos referred to are trade names, trademarks, or registered trademarks of their respective owners. © 2015 Artesyn Embedded Technologies, Inc.

For more information: www.artesyn.com/power
For support: productsupport.ep@artesyn.com