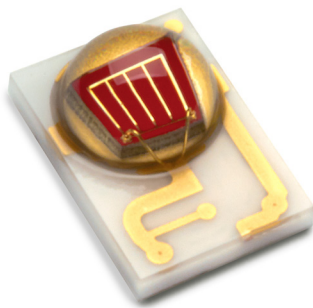




LUXEON Rebel

Bright domed solution



Automotive grade LUXEON Rebel LEDs are designed and tested to meet and exceed expectations for reliability, performance and lifetime in rear lighting applications. LUXEON Rebel is a bright domed AlInGaP LED in the market well suited for lightguide tail and small footprint stop-tail and rear fog applications.

LUXEON Rebel is available in the following color wavelengths:

- Red Orange (615nm)
- Super Red (635nm)

FEATURES AND BENEFITS

- Higher drive current capability for increased flux performance
- Low thermal resistance and power consumption results in simplified thermal management and system cost
- High flux output provides flexibility in styling and optical design

PRIMARY APPLICATIONS

- Rear Fog
- Stop/Tail

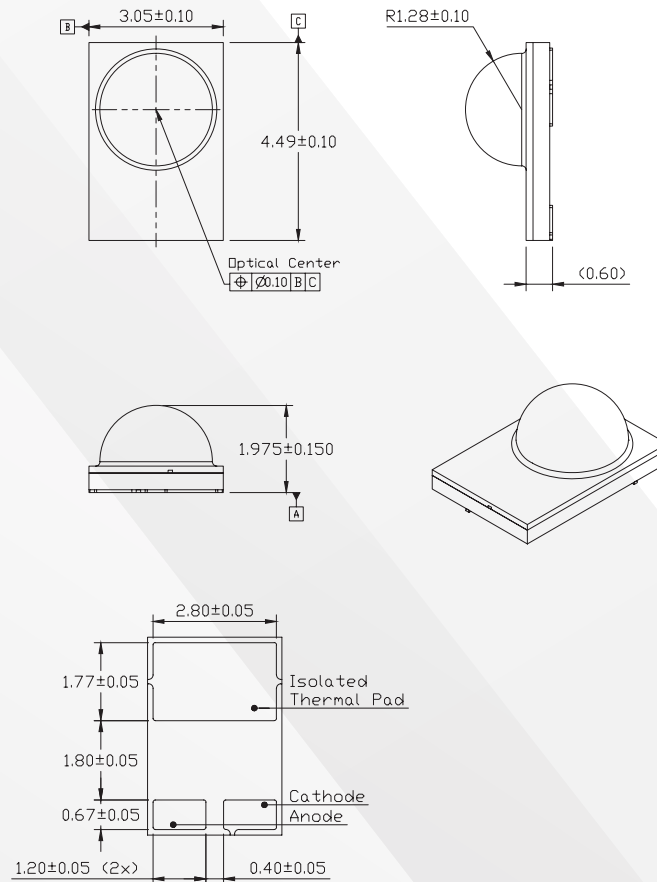
LUXEON Rebel for Automotive Absolute Ratings.

PARAMETER	PERFORMANCE
Minimum DC Forward Current	50mA
Maximum DC Forward Current	1.2A
Maximum Junction Temperature ^[1]	150°C
Operating Case Temperature at Test Current ^[1]	-40°C to 130°C
Operating Case Temperature at Maximum Current ^[1]	-40°C to 130°C
LED Storage Temperature	-40°C to 135°C
Soldering Temperature	JEDEC 020c 260°C
Allowable Reflow Cycles	3
Minimum ESD performance ^[2]	8kV HBM, 400V MM
Reverse Voltage (V _r)	LUXEON Rebel LEDs are not designed to be driven in reverse bias

Notes:

- Proper current derating must be observed to maintain junction temperature below the maximum, so that the LED is maintained below the maximum rated operating case temperature. LUXEON Rebel LEDs driven at or above the maximum rated operating case temperature may have shorter lifetime.
- Measured using human body model (per ANSI/ESDA/JEDEC JS-001-2010) and charged device model (per JESD22-C101F).

Mechanical Dimensions.



Notes:

- Drawings are not scale.
- All dimensions are in millimeters.

©2015 Lumileds Holding B.V. All rights reserved.
LUXEON is a registered trademark of the Lumileds Holding B.V.
in the United States and other countries.

lumileds.com

Neither Lumileds Holding B.V. nor its affiliates shall be liable for any kind of loss of data or any other damages, direct, indirect or consequential, resulting from the use of the provided information and data. Although Lumileds Holding B.V. and/or its affiliates have attempted to provide the most accurate information and data, the materials and services information and data are provided "as is," and neither Lumileds Holding B.V. nor its affiliates warrants or guarantees the contents and correctness of the provided information and data. Lumileds Holding B.V. and its affiliates reserve the right to make changes without notice. You as user agree to this disclaimer and user agreement with the download or use of the provided materials, information and data.