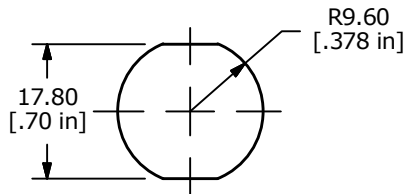
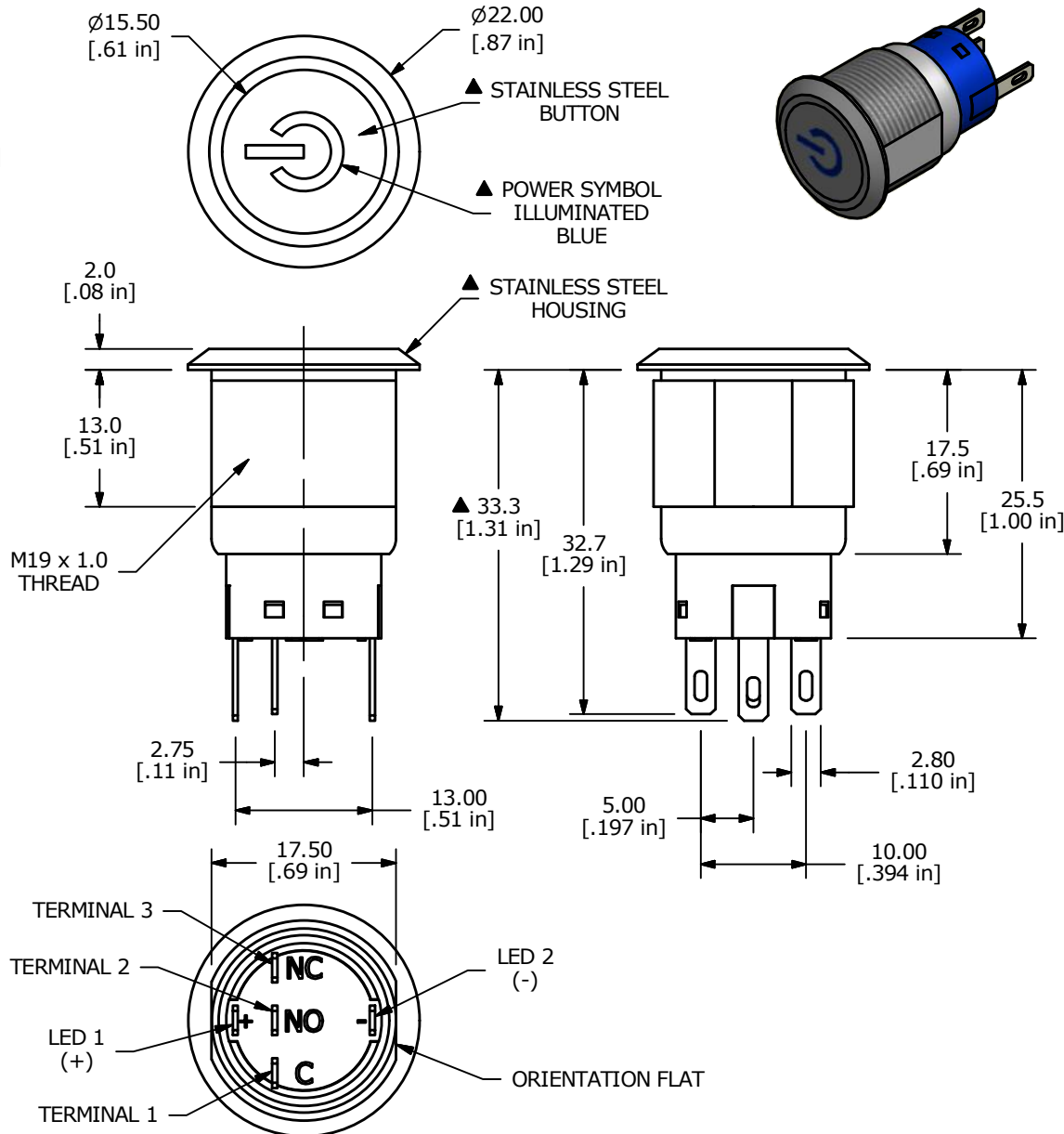


▲ SCHEMATIC  
ON - ON  
SPDT Illuminated



PANEL CUT-OUT  
PANEL THICKNESS 1-10mm



NOTE:

1. ALL DIMENSIONS IN MM [INCH]
2. GENERAL TOLERANCE: X.X = ±0.4  
X.XX = ±0.25
3. TERMINAL NUMBERS FOR REF ONLY
- ▲ 4. CONTACT MATERIAL: SILVER
5. RATING: 3A 250 VAC cUL
6. ELECTRIC LIFE: 50,000 MAKE-AND-BREAK CYCLES AT FULL LOAD.
7. MECHANICAL LIFE: 500,000 CYCLES.
8. INSULATION RESISTANCE: 1,000 MΩ @ 500VDC MIN.
9. DIELECTRIC STRENGTH: 2,000 VAC MIN. FOR 1 MINUTE
10. CONTACT RESISTANCE: 50mΩ MAX. @ 1A 12VDC
11. OPERATING TEMP.: -20°C to 55°C
12. ▲ DENOTES CRITICAL PARAMETER.
- ▲ 13. LAMP VOLTAGE: 20mA 12V
14. TRAVEL: 3.2mm
15. ACTUATION FORCE: 2.5 ± 1.0 N
16. MOUNTING NUT TORQUE: 5-14 Nm
17. INGRESS PROTECTION: IP67
18. HARDWARE SUPPLIED: O-RING AND HEXNUT



|     |        |  |         |    |
|-----|--------|--|---------|----|
| B   | 22127  | UPDATE HOUSING DIM. TO 1 PLACE DECIMAL | 1/19/16 | MW |
| A   | 21865  | New Release                            | 6/2/15  | rc |
| REV | PCR NO | DESCRIPTION                            | DATE    | BY |

|                    |           |    |         |     |
|--------------------|-----------|----|---------|-----|
| TITLE ULV4F23SS544 |           |    |         |     |
| SCALE              | DATE      | DR | DWG     | REV |
| 1.5 : 1            | 5/29/2015 | rc | T940007 | B   |

THE INFORMATION CONTAINED IN THIS DOCUMENT IS PROPRIETARY TO E-SWITCH AND IS NOT TO BE COPIED OR TRANSFERRED