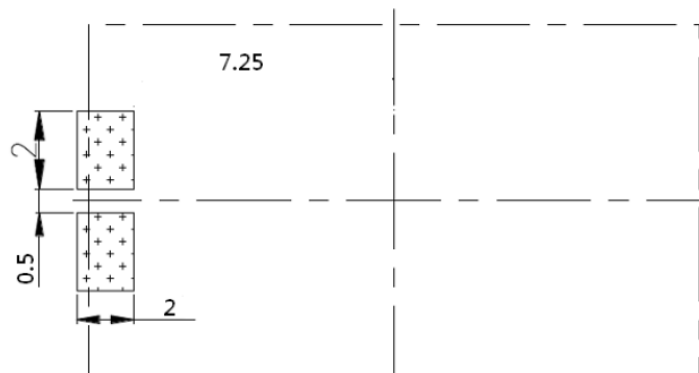
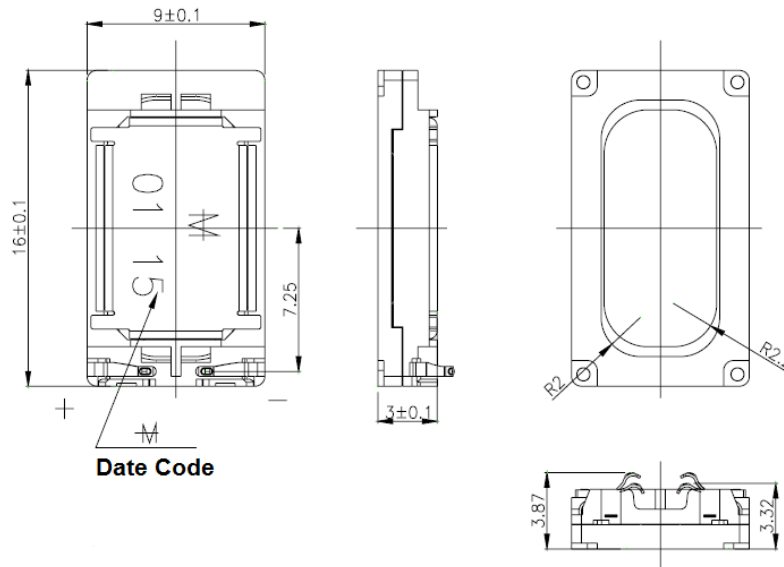


Sales Outline DrawingRevision **A****Specifications:**

| | |
|--------------------------|--|
| Impedance (Ω) | $8 \pm 15\%$ at 2000 Hz at 1.0 V |
| Rated Power (W) | 0.7 |
| Max Power (W) | 1.0 |
| Resonance Freq Fo (Hz) | $550 \pm 20\%$ at 1.0V $860 \pm 15\%$ at 1.0V in 1cc closed box |
| Frequency Range (Hz) | Fo ~ 7000 |
| Output S.P.L. (dB) | 88 ± 3 at 0.7w/0.1m 3.0kHz in 1cc closed box 70 ± 3 at 1w/1m 3.0kHz in 1cc closed box |
| Magnet | Nd-Fe-B |
| Frame Material | PPA |
| Operating / Storage Temp | -40 to 60°C/ -40 to 85°C |
| Weight (g) | 1.2 |
| Options | For other options contact factory |

Dimensions: ± 0.2 (units: mm)**ROHS Compliant****Recommended PCB Layout**