

# KR Electronics, Inc.

## General Description

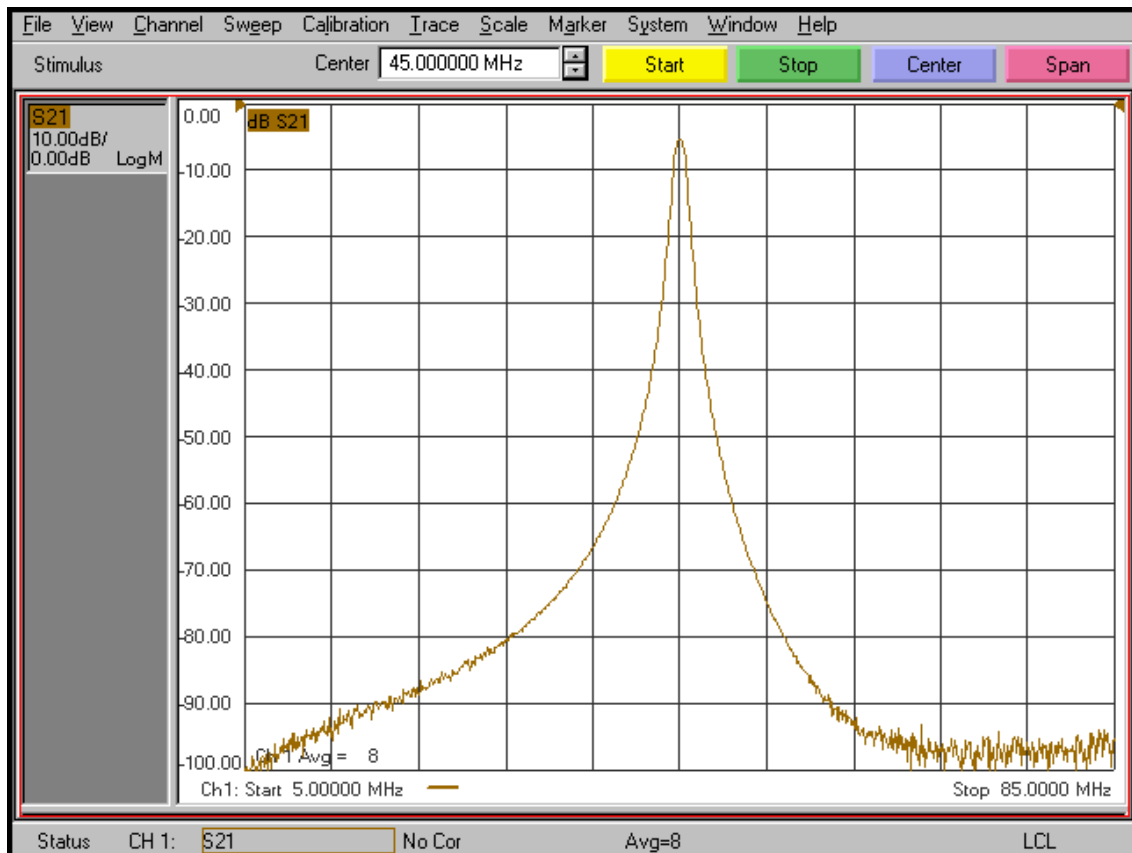
KR Electronics part number 3341-N is a 45 MHz bandpass filter. The filter has a typical 3 dB bandwidth of 1 MHz and a typical 40 dB bandwidth of 6 MHz. Other frequencies and bandwidths available. Please consult the factory.

### Features

- 45 MHz Bandpass Frequency
- 3 dB Bandwidth: 1 MHz
- 40 dB Bandwidth: 6 MHz typical
- 50  $\Omega$  Source and Load
- N Connectors

## Typical Performance

### Overall Response (10 dB/div)

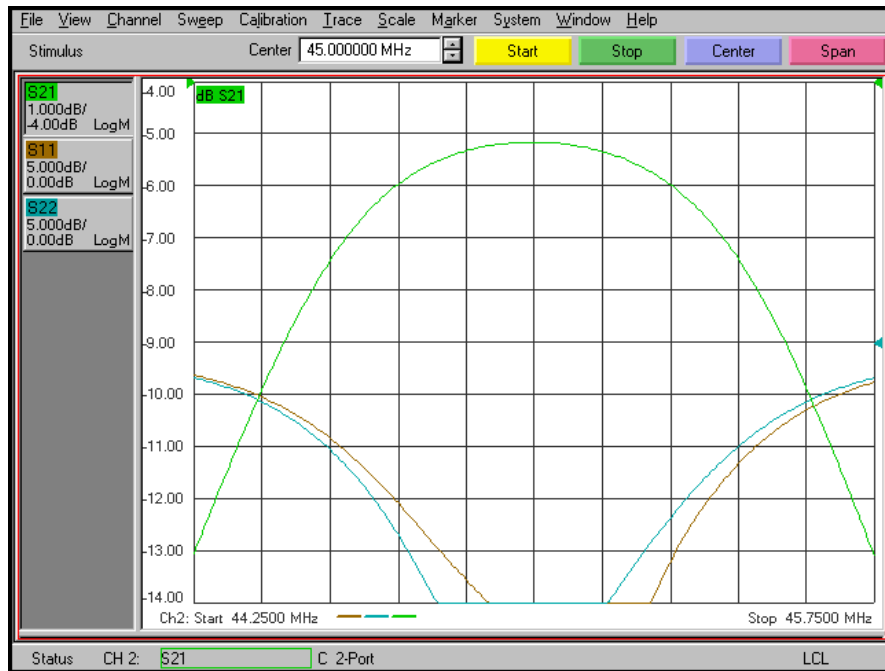


KR Electronics, Inc.  
91 Avenel Street  
Avenel, NJ 07001

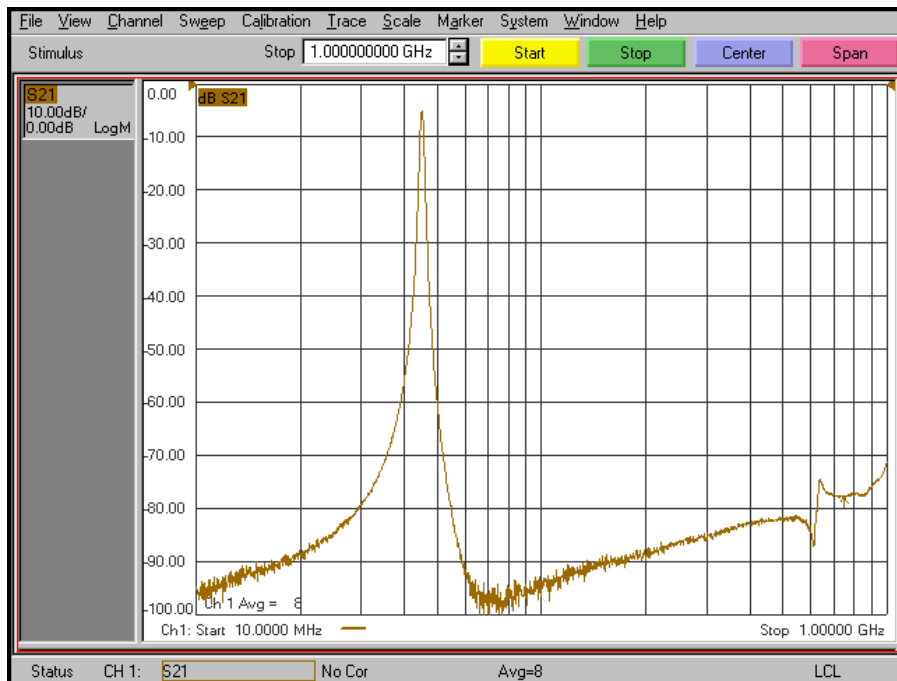
Web [www.krfilters.com](http://www.krfilters.com)  
Email [sales@krfilters.com](mailto:sales@krfilters.com)  
Phone (732) 636-1900  
Fax (732) 636-1982

Typical Performance

Passband Amplitude & Return Loss  
(1 dB/div & 5 dB/div)



Overall Response  
(10 dB/div)

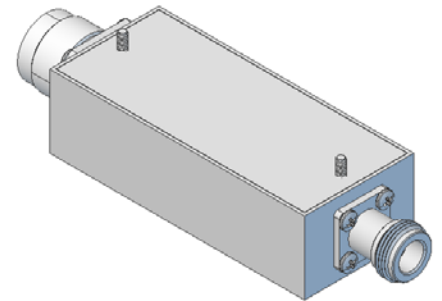
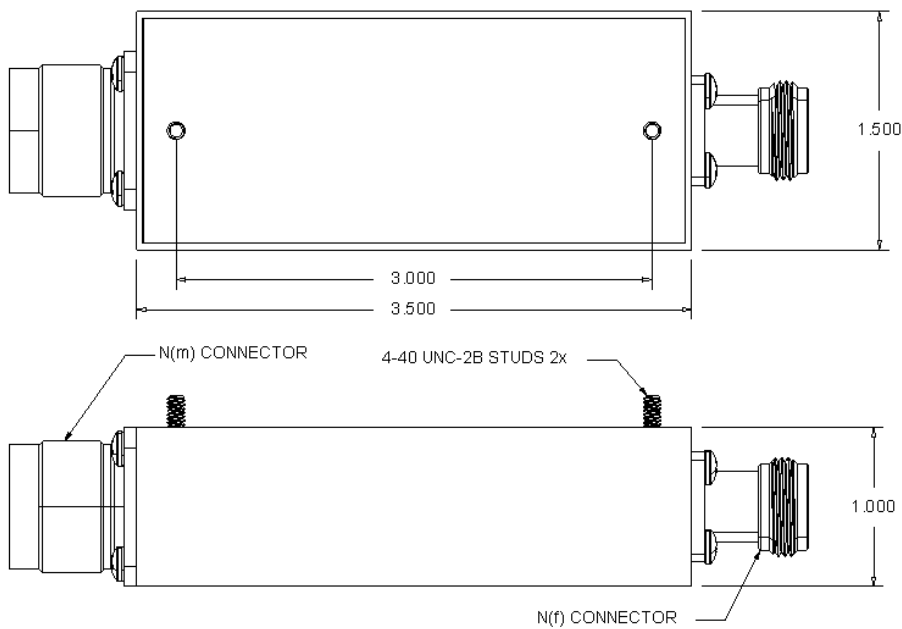


# KR Electronics 3341-N

## Specifications

Parameter	Specification	Notes
Filter type	Bandpass	
Center Frequency Fc	45 MHz	
Insertion Loss at Fc	6.5 dB max	6.2 dB typical
1 dB Bandwidth	650 KHz typical	
3 dB Bandwidth	1 MHz ±10%	
40 dB Bandwidth	16 MHz max	6 MHz typical
60 dB Bandwidth	13.1 MHz typical	
Source and Load	50 Ω	

## Physical Dimensions



**Notes:**

1. Metal Case
2. Dimensions in inches