

Rotary Voice Coils



Rotary Voice Actuator
PN 16258

2016 Data Sheet

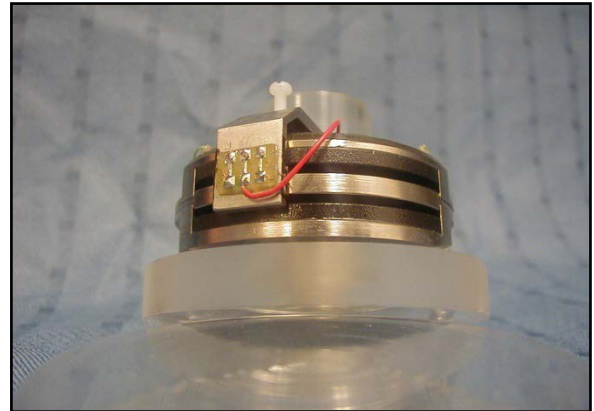
The most important thing we build is trust

Features:

- 77 degrees total range of motion
- Simple construction
- Integrated 10K potentiometer

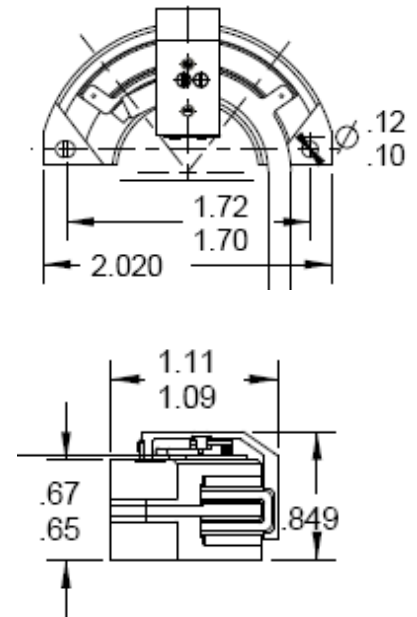
Description:

Typically used on aerospace platforms. Can be used in a wide variety of applications such as airborne, missile, and ground vehicle.



Specifications

Specification	Value	Units	Basis
Range of Motion	± 38.5	degrees	Nominal
Kt	10	in-oz/amp	Nominal
Peak Torque	4	in-oz	Minimum
Operating Voltage	20	VDC	Nominal
Resistance	33	ohms	$\pm 10\%$
Km	1.63	in-oz/ \sqrt{w}	Nominal
Weight	0.18	pounds	Nominal



Cobham Advanced Electronic Solutions

Integrated Electronic Solutions
350 Kennedy Drive
Hauppauge, NY 11788

Tel: 1.631.231.9100

Email: motion.sales@cobham.com