

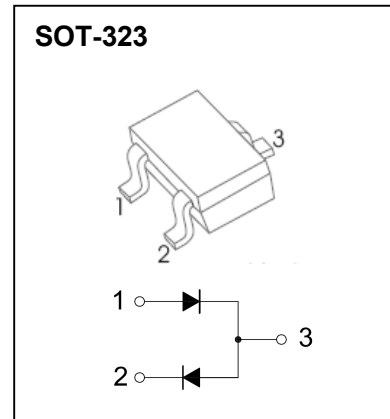
SCHOTTKY BARRIER DIODE

FEATURES

- Small Package
- Low Forward Voltage

APPLICATIONS

- High Speed Switching

MARKING: N9

MAXIMUM RATINGS (T_a=25°C unless otherwise noted)

Symbol	Parameter	Value	Unit
V _R	DC Blocking Voltage	10	V
I _O	Forward Continuous Current	100	mA
I _{FM}	Peak Forward Current	200	mA
I _{FSM}	Surge Current@10ms	1	A
P _D	Power Dissipation	100	mW
R _{θJA}	Thermal Resistance From Junction To Ambient	1000	°C/W
T _j	Junction Temperature	125	°C
T _{stg}	Storage Temperature	-55~+150	°C

ELECTRICAL CHARACTERISTICS(T_a=25°C unless otherwise specified)

Parameter	Symbol	Test conditions	Min	Typ	Max	Unit
Reverse voltage	V _(BR)	I _R =100μA	10			V
Reverse current	I _R	V _R =10V			20	μA
Forward voltage	V _F	I _F =1mA		0.18		V
		I _F =5mA		0.3		
		I _F =100mA			0.5	
Total capacitance	C _{tot}	V _R =0V,f=1MHz			40	pF