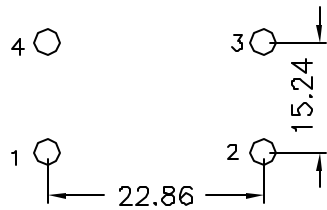
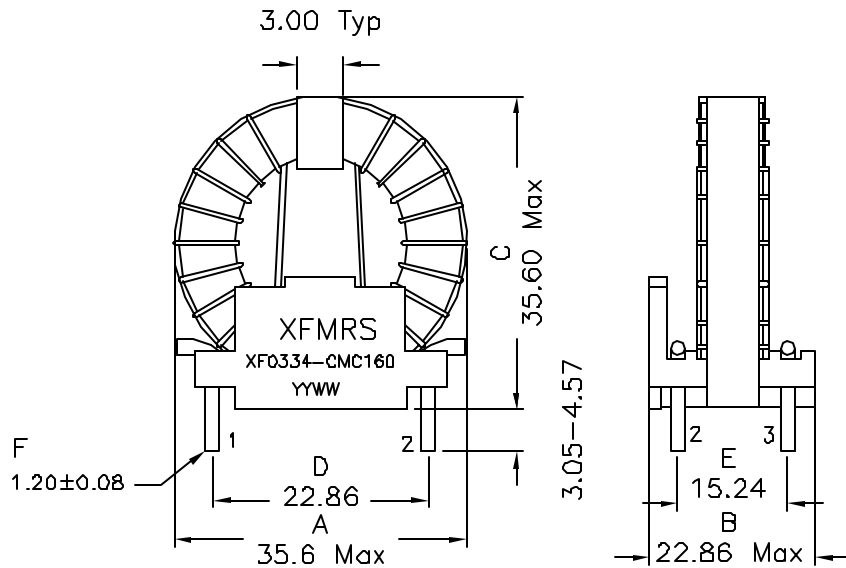
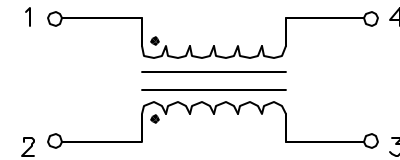


1. Mechanical Dimensions:



SUGGESTED FOOTPRINT

2. Schematic:



3. Electrical Specifications:

OCL: 3.3mH Min @1KHz 0.1V, Each Wdg

DCR: 0.052 Ohms Max, Each Wdg

Current Rating: 4Arms

Isolation: 1500Vrms

Notes:

1. Solderability: Leads shall meet MIL-STD-2026, Method 208H for solderability.
2. Flammability: UL94V-0
3. ASTM oxygen index: > 28%
4. Insulation System: Class F 155°C. UL file E151558
5. Operating Temperature Range: All listed parameters are to be within tolerance from -40°C to +85°C
6. Storage Temperature Range: -55°C to +125°C
7. Aqueous wash compatible
8. Electrical and mechanical specifications 100% tested
9. RoHS Compliant Component

DOC REV: A/3

PROPRIETARY Document is the property of XFMRs Group & is not allowed to be duplicated without authorization.

XFMRs Inc www.XFMRs.com	Title: Common Made Choke		
UNLESS OTHERWISE SPECIFIED TOLERANCES: .xx ±0.25 Dimensions in mm	P/N: XF0334-CMC160	REV. A	
	DWN.	Juan Mao	Jan-23-07
SHEET 1 OF 1	CHK.	YK Liao	Jan-23-07
	APP.	BW	Jan-23-07