



# SGM3720

## PWM Dimming, 38V Step-Up LED Driver

### GENERAL DESCRIPTION

The SGM3720 is a versatile constant current LED driver with a high efficiency step-up converter architecture. The low-side power MOSFET is integrated in the device, significantly shrinking the overall PCB layout area and minimizing the total number of external components. Unique technology and high 1.6A current limit allow SGM3720 to drive up to 38V output (10 LEDs in series). Alternatively, SGM3720 can deliver 260mA total current with 3 series LEDs per string. It can also maximize the current capability while achieving high conversion efficiency. The optimized 600kHz switching frequency results in reduced conduction loss and small external component size. Digital PWM dimming interface is integrated to adjust LED current. The PWM frequency is in the range from 2kHz to 60kHz.

Various protection features are built into the SGM3720, including cycle-by-cycle input current limit protection, open LED (output over-voltage) protection and thermal shutdown protection. The leakage current in shutdown mode is less than 1 $\mu$ A.

The SGM3720 is available in Green TSOT-23-6 package. It operates over an ambient temperature range of -40°C to +85°C.

### FEATURES

- **Wide Output Range: Up to 10 Series LEDs**
- **Integrated 40V High Current Switch (1.6A Limit)**
- **2.7V to 5.5V Input Voltage Range**
- **High Efficiency PWM Converter**
- **Low 300mV Feedback Voltage**
- **500k $\Omega$  Pull-Down Resistor on CTRL Pin**
- **2kHz to 60kHz PWM Dimming Frequency**
- **38V Open LED Protection**
- **600kHz Switching Frequency**
- **Integrated Soft-Start Function**
- **Less than 1 $\mu$ A Shutdown Current**
- **Simple, Small Solution Size**
- **-40°C to +85°C Operating Temperature Range**
- **Available in Green TSOT-23-6 Package**

### APPLICATIONS

LED Backlighting  
Mobile Phones  
Handheld Devices  
Digital Photo Frames  
Automotive Navigation

## PACKAGE/ORDERING INFORMATION

MODEL	PACKAGE DESCRIPTION	SPECIFIED TEMPERATURE RANGE	ORDERING NUMBER	PACKAGE MARKING	PACKING OPTION
SGM3720	TSOT-23-6	-40°C to +85°C	SGM3720YTN6G/TR-V1	SMFXX	Tape and Reel, 3000

NOTE: XX = Date Code.

**Green (RoHS & HSF):** SG Micro Corp defines "Green" to mean Pb-Free (RoHS compatible) and free of halogen substances. If you have additional comments or questions, please contact your SGMICRO representative directly.

## ABSOLUTE MAXIMUM RATINGS

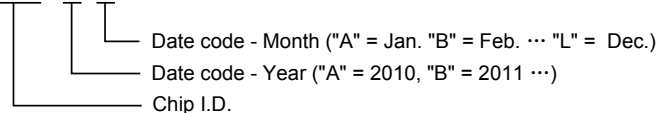
Input Voltage, $V_{IN}$ .....	-0.3V to 6V
High Voltage Nodes, SW, VOUT .....	-0.3V to 40V
Other Pins, FB, CTRL.....	-0.3V to $V_{IN} + 0.3V$
Package Thermal Resistance	
TSOT-23-6, $\theta_{JA}$ .....	120°C/W
Junction Temperature.....	+150°C
Storage Temperature Range .....	-65°C to +150°C
Lead Temperature (Soldering, 10sec) .....	+260°C
ESD Susceptibility	
HBM.....	4000V
MM.....	200V

## RECOMMENDED OPERATING CONDITIONS

Input Voltage Range .....	2.7V to 5.5V
Operating Temperature Range .....	-40°C to +85°C

## MARKING INFORMATION

SMF X X



For example: SMFFA (2015, January)

## OVERSTRESS CAUTION

Stresses beyond those listed may cause permanent damage to the device. Functional operation of the device at these or any other conditions beyond those indicated in the operational section of the specification is not implied. Exposure to absolute maximum rating conditions for extended periods may affect reliability.

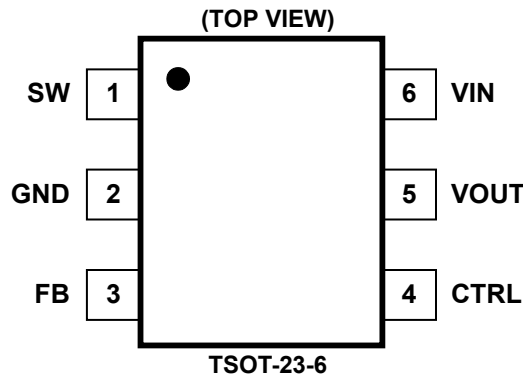
## ESD SENSITIVITY CAUTION

This integrated circuit can be damaged by ESD if you don't pay attention to ESD protection. SGMICRO recommends that all integrated circuits be handled with appropriate precautions. Failure to observe proper handling and installation procedures can cause damage. ESD damage can range from subtle performance degradation to complete device failure. Precision integrated circuits may be more susceptible to damage because very small parametric changes could cause the device not to meet its published specifications.

## DISCLAIMER

SG Micro Corp reserves the right to make any change in circuit design, specification or other related things if necessary without notice at any time.

**PIN CONFIGURATION**



**PIN DESCRIPTION**

PIN	NAME	FUNCTION
1	SW	Converter Switching Node.
2	GND	Ground.
3	FB	Output Feedback Pin Regulated at 300mV.
4	CTRL	Control Pin of the Boost Regulator. It is a multi-functional pin which can be used for enable control and digital PWM dimming.
5	VOUT	Output and Over-Voltage Protection Pin.
6	VIN	IC Supply. Connect VIN to a supply voltage between 2.7V and 5.5V.

**TYPICAL APPLICATION**

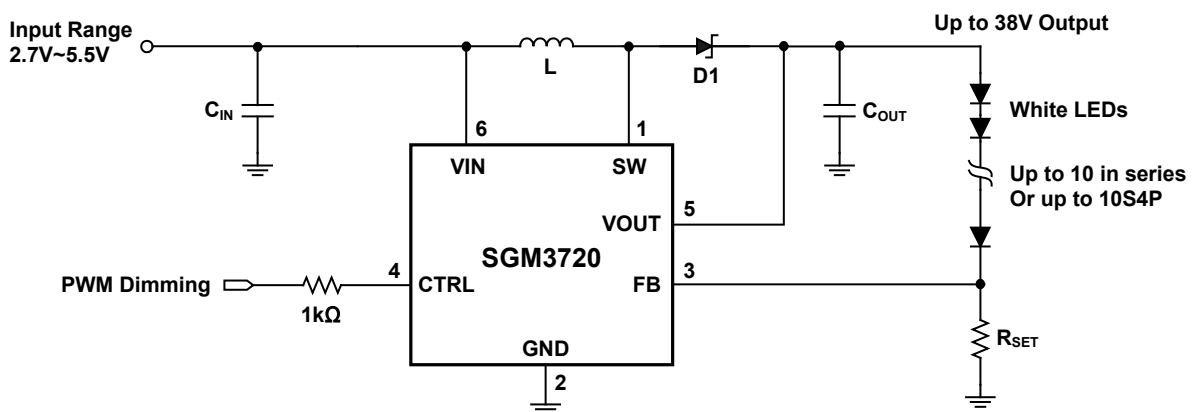


Figure 1. Typical Application Circuit

**ELECTRICAL CHARACTERISTICS** <sup>(1)</sup>(V<sub>IN</sub> = 3.6V, L = 22μH, C<sub>IN</sub> = 10μF, C<sub>OUT</sub> = 0.47μF, Full = -40°C to +85°C, typical values are at T<sub>A</sub> = +25°C, unless otherwise noted.)

PARAMETER	SYMBOL	CONDITIONS	TEMP	MIN	TYP	MAX	UNITS
<b>IC SUPPLY</b>							
Input Voltage Range	V <sub>IN</sub>		Full	2.7		5.5	V
Input Under-Voltage Lockout	UVLO	Rising edge	+25°C		2.5	2.6	V
UVLO Hysteresis	V <sub>HYS</sub>		+25°C		0.15		V
Quiescent Current (Non Switching)	I <sub>Q</sub>	V <sub>FB</sub> = 0.4V	+25°C		0.20	0.35	mA
Operating Current (Switching)		V <sub>FB</sub> = 0V	+25°C		0.5	0.9	mA
VIN Pin Shutdown Current	I <sub>SHDN</sub>	V <sub>EN</sub> = 0V	+25°C		0.1	1	μA
<b>STEP-UP CONVERTER</b>							
Voltage Feedback Regulation Voltage	V <sub>REF</sub>		Full	289	300	311	mV
Voltage Feedback Regulation Voltage Under Brightness Control	V <sub>REF_PWM</sub>	f <sub>PWM</sub> = 10kHz, duty cycle = 3%	+25°C	6.5	9	11.5	mV
V <sub>REF</sub> Filter 3dB Frequency	f <sub>REF(3dB)</sub>		+25°C		600		Hz
Voltage Feedback Input Bias Current	I <sub>FB</sub>		Full		0.001	0.3	μA
SW Pin Leakage Current	I <sub>SW</sub>		+25°C		0.01	1	μA
Peak NMOS Current Limit	I <sub>LIM</sub>		+25°C		1.6		A
Oscillator Frequency	f <sub>S</sub>		Full	480	600	750	kHz
Over-Voltage Threshold	V <sub>OVP</sub>	Measured at VOUT pin	Full	35.5	38.0	40.5	V
Start-Up Time	t <sub>S</sub>		+25°C		800		μs
<b>CONTROL</b>							
Logic Low Threshold	V <sub>IL</sub>		Full			0.35	V
Logic High Threshold	V <sub>IH</sub>		Full	1.5			V
PWM Dimming Frequency Range	DFR		+25°C	2		60	kHz
Minimum Shutdown Pulse Width Timing	t <sub>OFF</sub>		+25°C	3			ms
Junction Thermal Shutdown Threshold					150		°C
Junction Thermal Shutdown Hysteresis					15		°C

## NOTE:

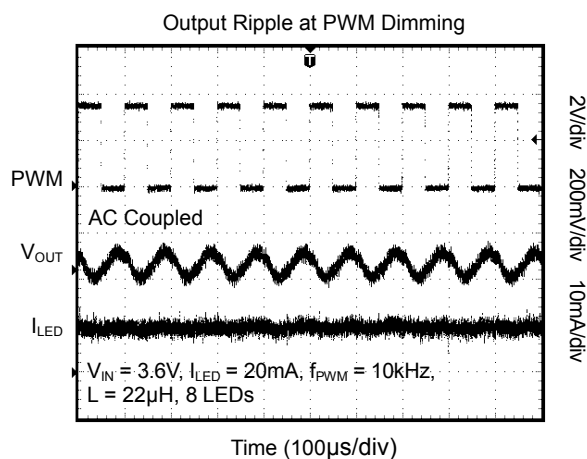
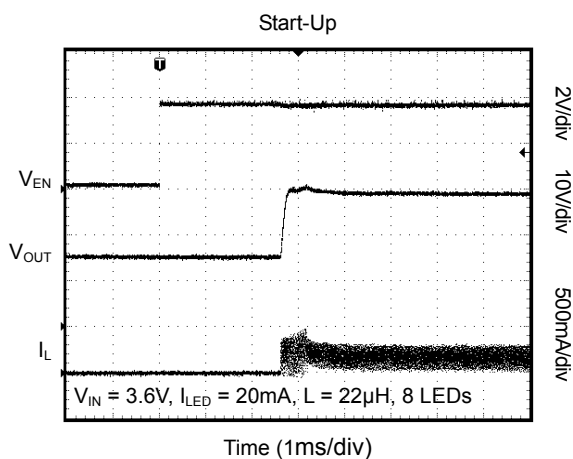
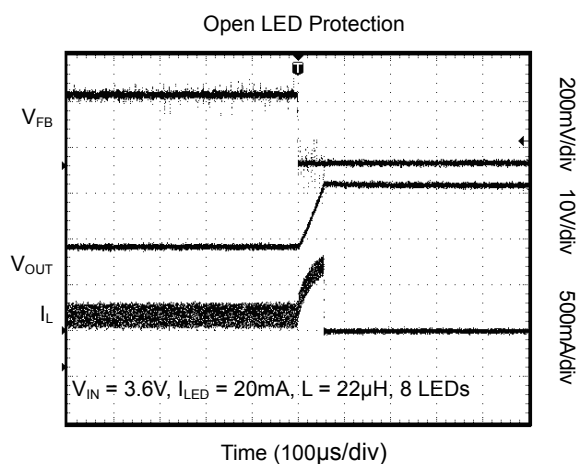
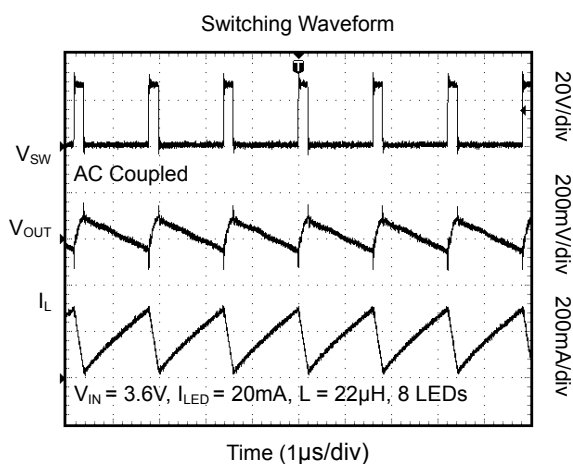
1. The SGM3720 is guaranteed to meet performance specifications over the -40°C to +85°C operating temperature range by design, characterization and correlation with statistical process controls.

RECOMMENDED COMPONENTS OF TEST CIRCUITS

	COMPONENT		COMPONENT
INDUCTOR	22μH/CD75NP-220KC	CAPACITOR	10μF/C2012X7R1H106KT
DIODE	MBR0540		0.47μF/C2012X7R1H474KT

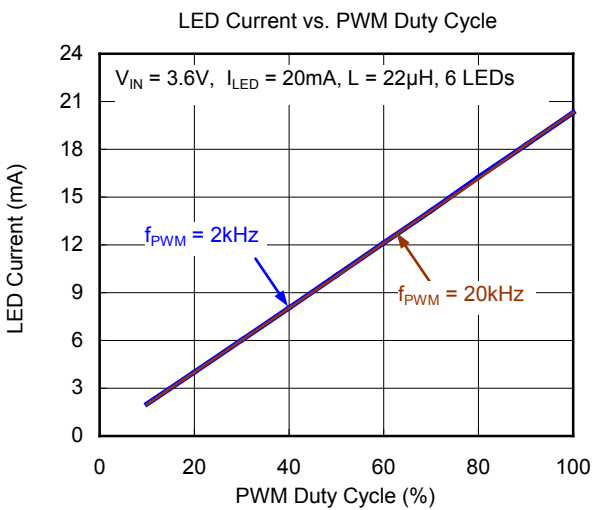
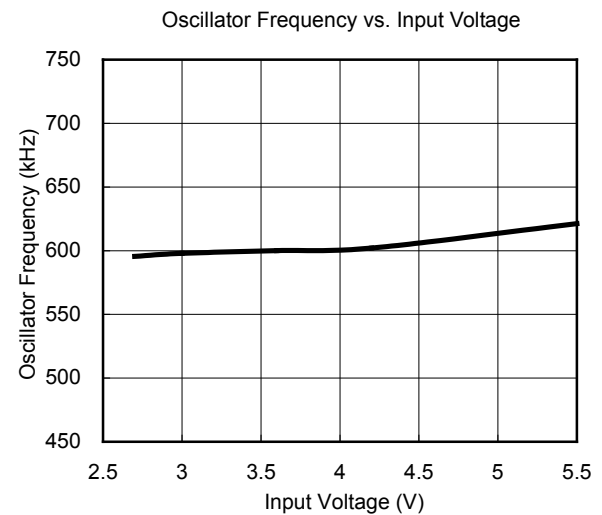
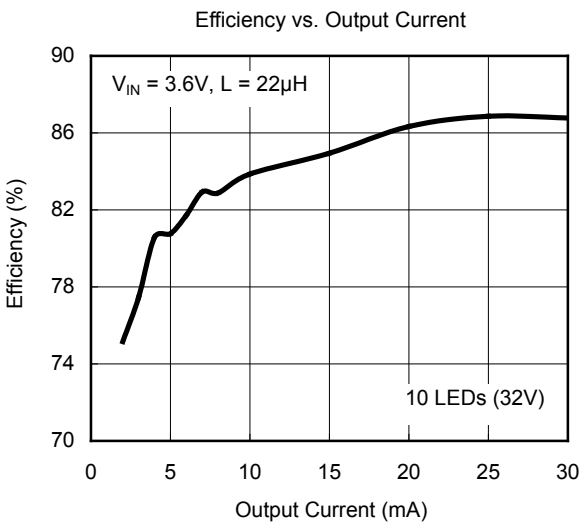
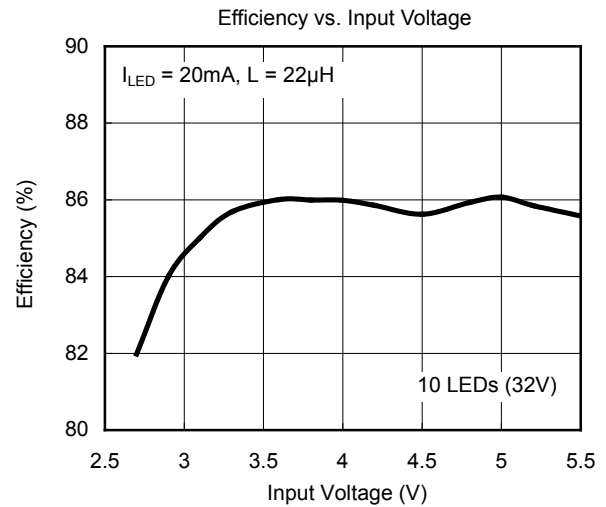
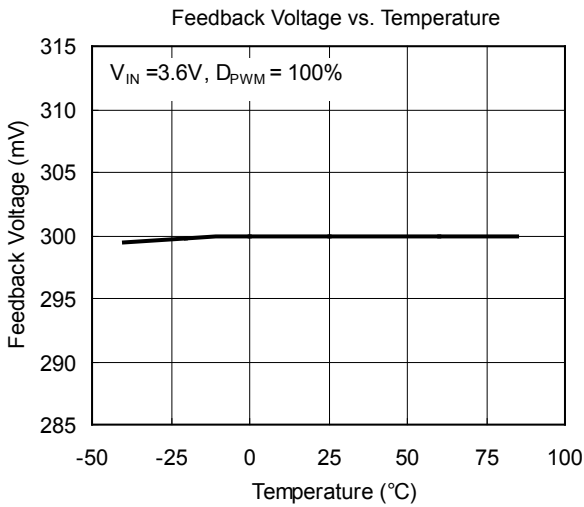
TYPICAL PERFORMANCE CHARACTERISTICS

T<sub>A</sub> = +25°C, L = 22μH, C<sub>IN</sub> = 10μF, C<sub>OUT</sub> = 0.47μF, unless otherwise noted.



TYPICAL PERFORMANCE CHARACTERISTICS

T<sub>A</sub> = +25°C, L = 22µH, C<sub>IN</sub> = 10µF, C<sub>OUT</sub> = 0.47µF, unless otherwise noted.



## FUNCTIONAL BLOCK DIAGRAM

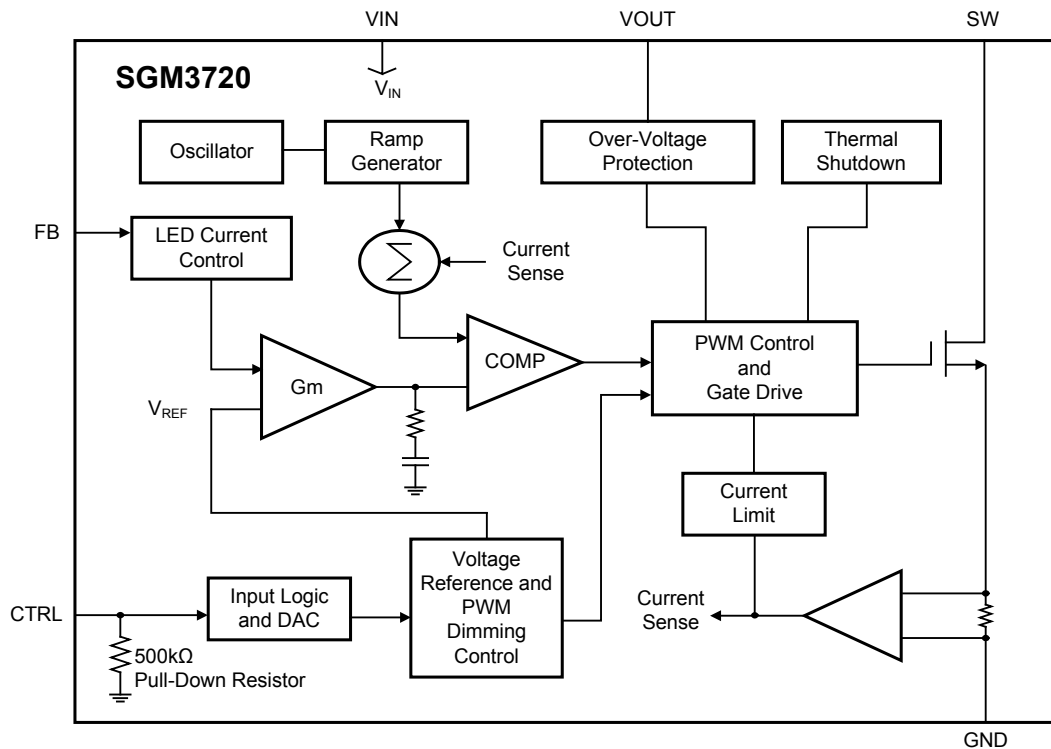


Figure 2. SGM3720 Block Diagram

## FUNCTIONAL DESCRIPTION

The SGM3720 uses a constant-frequency current-mode boost converter architecture to control the LED current by regulating the feedback voltage. Please refer to the FUNCTIONAL BLOCK DIAGRAM above for an explanation of SGM3720 operation. The beginning of each cycle turns on the Power MOSFET. A slope compensation ramp is added to the output of the current sense amplifier and the result is fed into the positive input of the comparator (COMP). When this voltage goes above the output voltage of the error amplifier (Gm), the Power MOSFET is turned off. The voltage at the output of the Gm block amplifies the difference between the reference voltage and the feedback voltage (FB), so that FB voltage can be regulated to the reference voltage.

The SGM3720 has built-in soft-start to limit the inrush current during start-up and to limit the amount of overshoot on the output. Protection features in the SGM3720 include over-voltage protection (OVP), cycle-by-cycle current limit protection and thermal shutdown. OVP protects in the event where an LED fails open, which forces the feedback voltage to zero. This causes the boost converter to operate in maximum duty cycle mode, ramping up the output voltage.

Switching will stop when the output reaches the OVP threshold. The OVP feature protects the IC from damaging itself by exceeding the voltage rating on SW/VOUT pins.

For the brightness dimming control of the SGM3720, the IC provides typically 300mV feedback voltage when the CTRL pin is pulled constantly high. However, CTRL pin allows a PWM signal to reduce this regulation voltage by changing the PWM duty cycle to achieve LED brightness dimming control. An internal low pass filter (600Hz) is used to filter the pulse signal. The relationship between the duty cycle and FB voltage can be calculated as following equation.

$$V_{FB} = \text{Duty} \times 300\text{mV}$$

Where:

Duty = duty cycle of the PWM signal  
300mV = internal reference voltage

The PWM frequency is in the range from 2kHz to 60kHz, and the recommended minimum PWM duty cycle is 3% for no blind dimming.

APPLICATION INFORMATION

Inductor Selection

A 10µH to 22µH inductor is recommended for 10/8/6 series LED applications and 10S4P LED applications. If high efficiency is a critical requirement, a low DCR inductor should be selected. The inductor’s saturation current rating should also exceed the peak input current, especially for high load current application (like 10S4P).

Capacitor Selection

Small size ceramic capacitors are ideal for SGM3720 application. An input capacitor in the range of 1µF to 22µF and a 0.47µF output capacitor are suggested for 10/8/6 series LED applications. For higher output current applications like 10S4P, larger value output capacitors like 2.2µF are recommended to minimize output ripple.

Diode Selection

The current rating of the Schottky diode should exceed the peak current of the boost converter. The voltage rating should also exceed the target output voltage.

LED Maximum Current Setting

LED maximum current setting, I<sub>MAX</sub>, is determined by the feedback resistor (R<sub>SET</sub> in Figure 3). The feedback voltage is internally set at 300mV when the PWM

dimming duty cycle = 100%. The LED current is programmed according to the formula I<sub>MAX</sub> = 300mV/R<sub>SET</sub>. For accurate LED current settings, precision 1% resistors are recommended. The formula and table for R<sub>SET</sub> selection are shown below.

$$R_{SET} = 300mV / I_{MAX}$$

Table 1. Current Setting Resistor

R <sub>SET</sub> (Ω)	I <sub>MAX</sub> Current (mA)
300	1
60.4	5
30.0	10
20.0	15
15.0	20
10.0	30
3.00	100

Layout Considerations

PCB layout is very important for high frequency switching regulators in order to keep the loop stable and minimize noise. The input capacitor should be very close to the IC to get the best decoupling. The path of the inductor and output capacitor should be kept as short as possible to minimize noise and ringing.

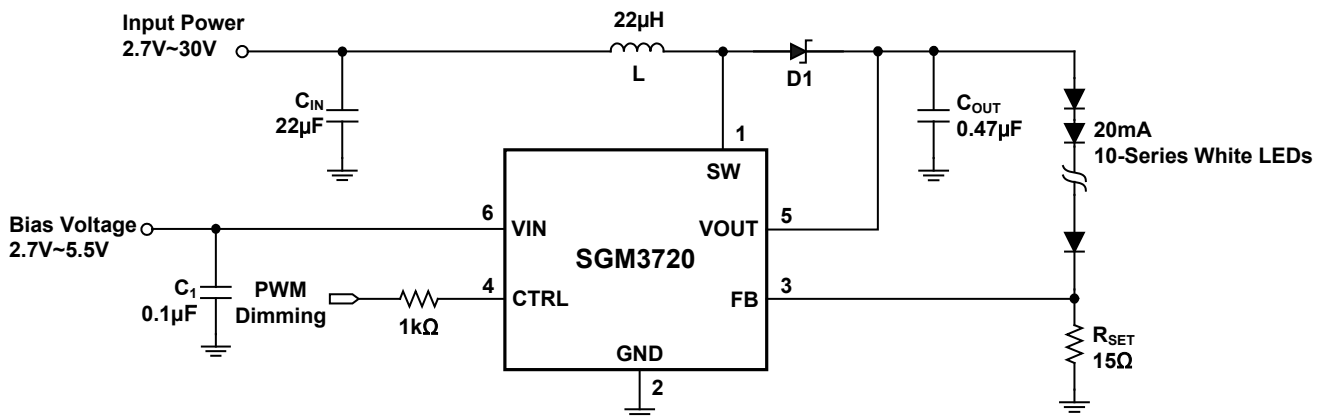
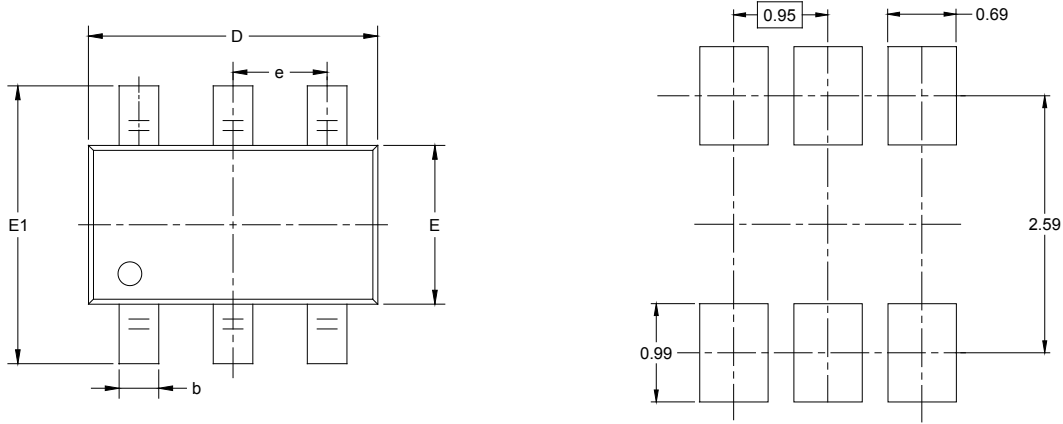


Figure 3. Application Circuit for 10 LEDs in Series with 20mA Current (VIN can be tied to input power rail if less than 5.5V)

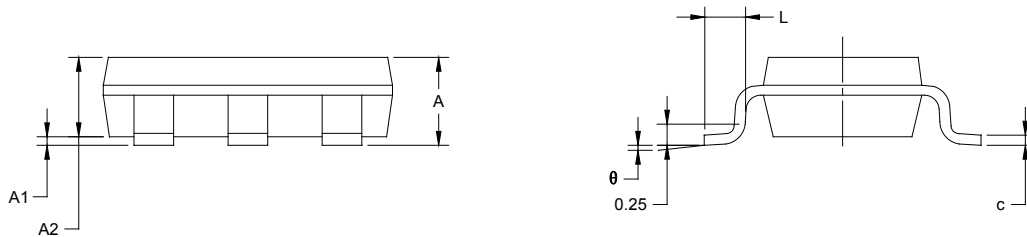


PACKAGE OUTLINE DIMENSIONS

TSOT-23-6



RECOMMENDED LAND PATTERN (Unit: mm)

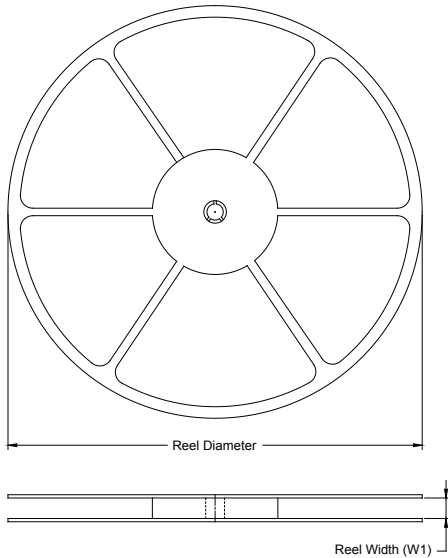


Symbol	Dimensions In Millimeters		Dimensions In Inches	
	MIN	MAX	MIN	MAX
A		1.000		0.043
A1	0.000	0.100	0.000	0.004
A2	0.700	0.900	0.028	0.039
b	0.300	0.500	0.012	0.020
c	0.080	0.200	0.003	0.008
D	2.850	2.950	0.112	0.116
E	1.550	1.650	0.061	0.065
E1	2.650	2.950	0.104	0.116
e	0.950 BSC		0.037 BSC	
L	0.300	0.600	0.012	0.024
θ	0°	8°	0°	8°

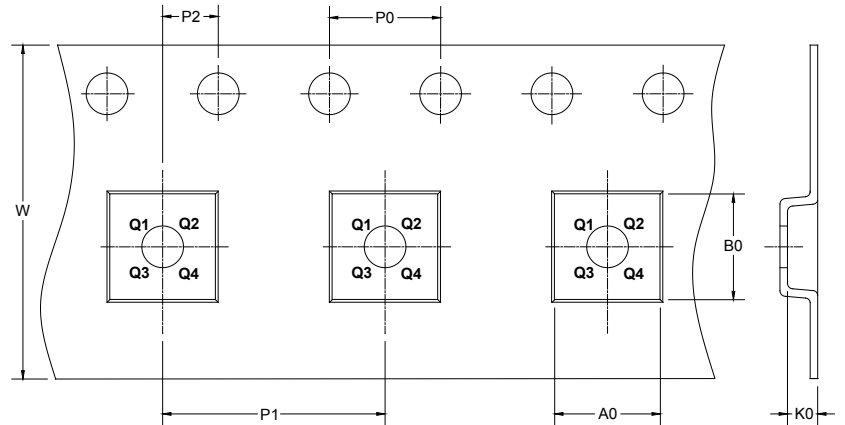
# PACKAGE INFORMATION

## TAPE AND REEL INFORMATION

### REEL DIMENSIONS



### TAPE DIMENSIONS



➔ DIRECTION OF FEED

NOTE: The picture is only for reference. Please make the object as the standard.

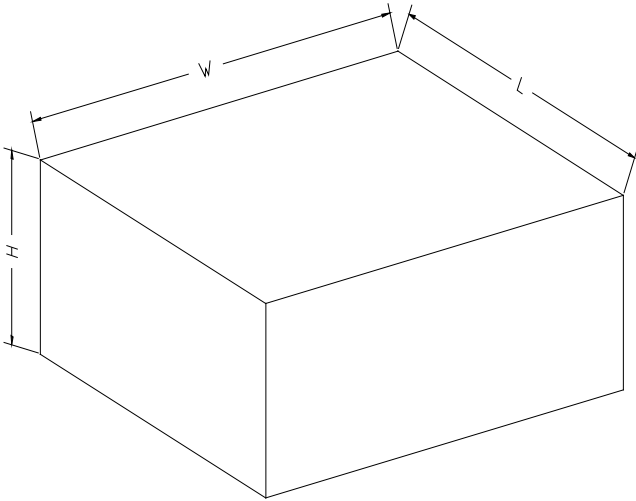
### KEY PARAMETER LIST OF TAPE AND REEL

Package Type	Reel Diameter	Reel Width W1 (mm)	A0 (mm)	B0 (mm)	K0 (mm)	P0 (mm)	P1 (mm)	P2 (mm)	W (mm)	Pin1 Quadrant
TSOT-23-6	7"	9.5	3.2	3.1	1.1	4.0	4.0	2.0	8.0	Q3

000001

# PACKAGE INFORMATION

## CARTON BOX DIMENSIONS



NOTE: The picture is only for reference. Please make the object as the standard.

## KEY PARAMETER LIST OF CARTON BOX

Reel Type	Length (mm)	Width (mm)	Height (mm)	Pizza/Carton
7" (Option)	368	227	224	8
7"	442	410	224	18

DD0002