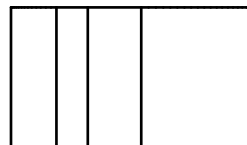
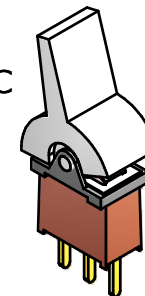
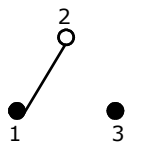


ISOMETRIC

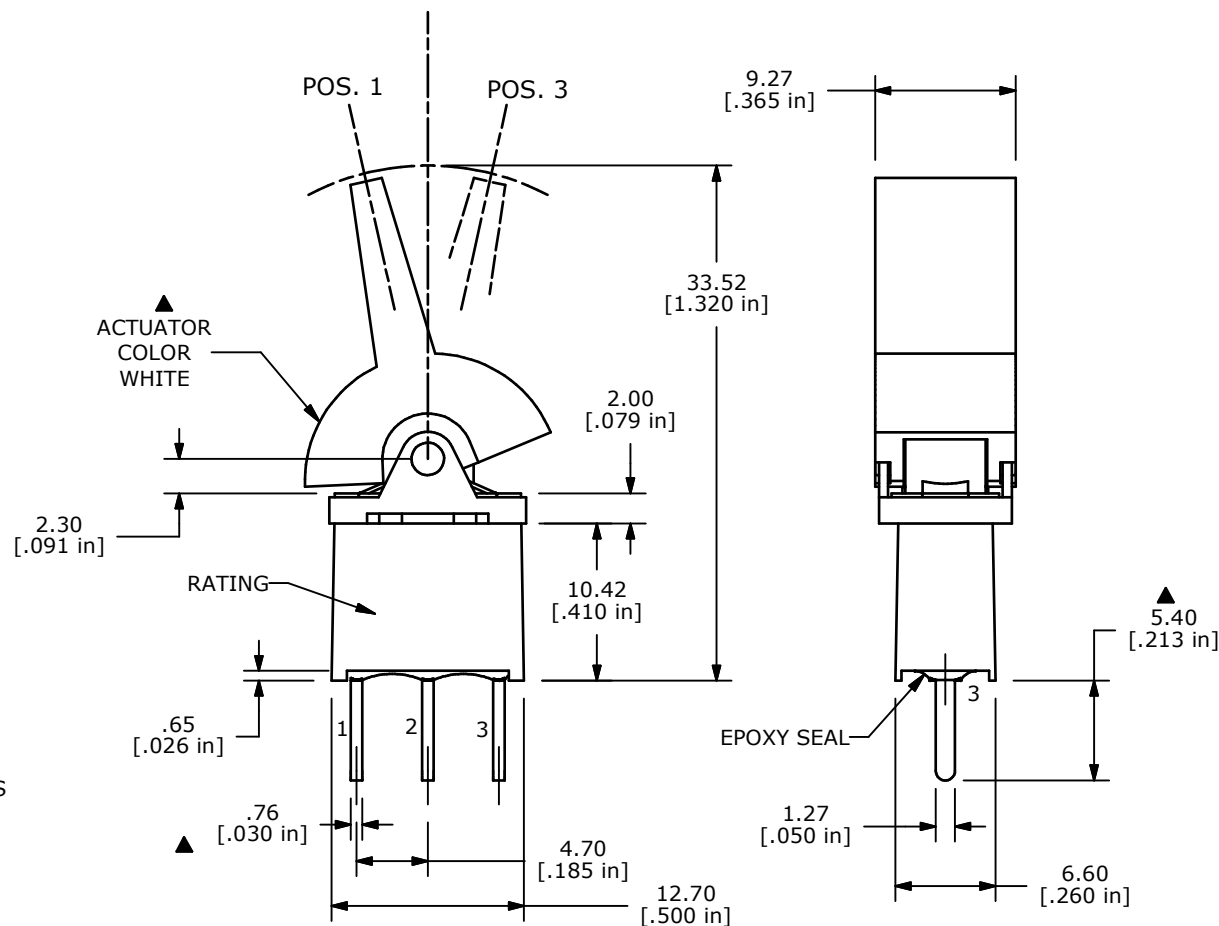


| SWITCH FUNCTION | | |
|-----------------|--------|--------|
| POS. 1 | POS. 2 | POS. 3 |
| | | |
| (ON) | OFF | (ON) |
| 2-3 | OPEN | 2-1 |

(ON) = MOMENTARY



CIRCUIT: SPDT



- NOTE:
1. ALL DIMENSIONS IN MM [INCH]
 2. GENERAL TOLERANCE: X.X=±0.4
X.XX=±0.25
 3. TERMINAL NUMBERS FOR REF ONLY
 - ▲ 4. CONTACT MATERIAL: GOLD
 5. RATING: 0.4 VA max. @ 20V (AC or DC)
 6. LIFE EXPECTANCY: 30,000 MAKE-AND-BREAK CYCLES AT FULL LOAD.
 7. INSULATION RESISTANCE: 1,000 MEGA-OHM MIN.
 8. DIELECTRIC STRENGTH: 1,000 V RMS @SEA LEVEL.
 9. OPERATING TEMP.: -30°C to 85°C
 10. ▲ DENOTES CRITICAL PARAMETER.
 11. 2002/95/EC (ROHS) COMPLIANT



TITLE 300AWSP4J2WHTM2RE

| | | | | |
|-----|--------|-------------------------|---------|-----|
| A | 18289 | RELEASED FOR PRODUCTION | 11/4/08 | BLR |
| REV | PCR NO | DESCRIPTION | DATE | BY |

THE INFORMATION CONTAINED IN THIS DOCUMENT IS PROPRIETARY TO E-SWITCH AND IS NOT TO BE COPIED OR TRANSFERRED

| | | | | |
|-------|-----------|-----|---------|-----|
| SCALE | DATE | DR | DWG | REV |
| 2:1 | 11/4/2008 | BLR | T301034 | A |