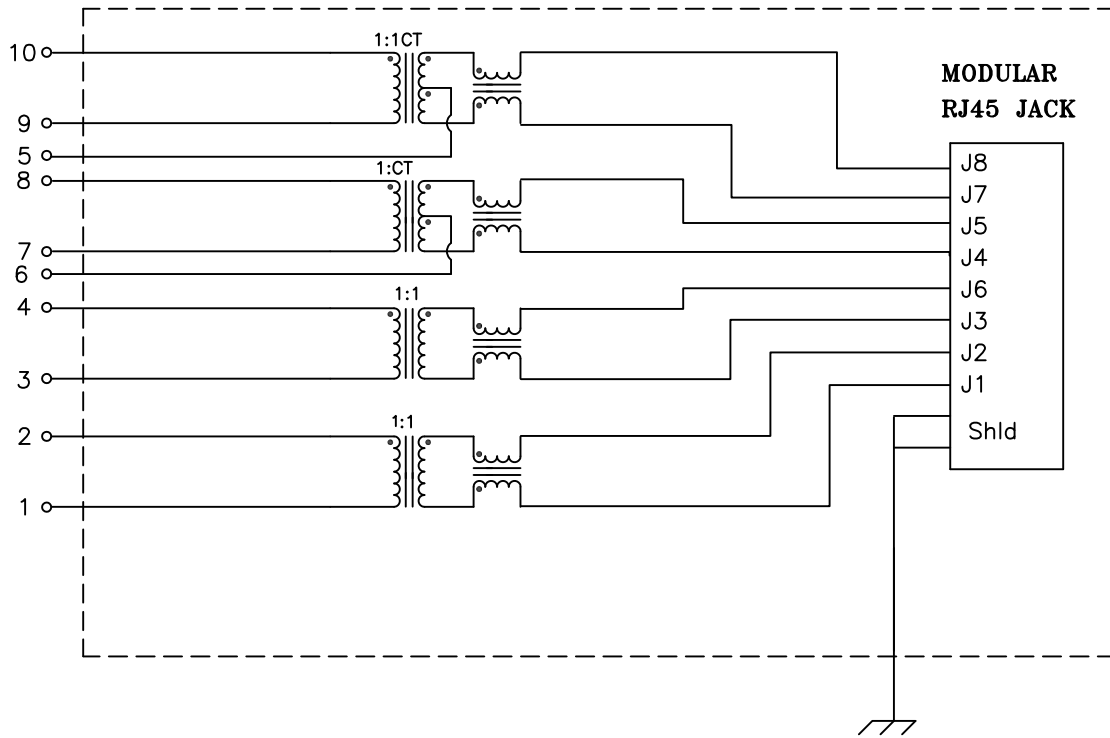


Schematic:



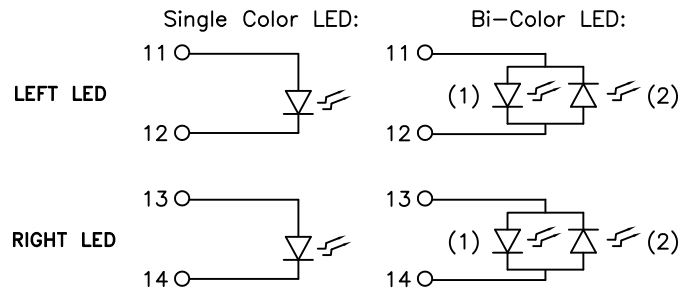
Electrical Specifications: @25°C

- ISOLATION: 1500 Vrms (Pri to Sec)
- TURNS RATIO: (PRI/SEC) 1CT:1CT ±2%; 1:1±2%
- OCL: 350uH MIN @100KHz 100mV 8mADC
- Rise Time: 1.75ns Max.
- INSERTION LOSS: -1.0dB MAX @1MHz-100MHz
-1.5dB MAX @100-125MHz
- RETURN LOSS: -18dB Min @1-30MHz
-15dB Min @40MHz -13.1dB Min @50MHz
-12dB Min @60-80MHz -10dB Min @100MHz
- Differential to Common Mode Rejection:
-43dB Min @30MHz -37dB Min @80MHz
-33dB Min @100MHz
- CMRR: -30dB Min @1-100MHz
- Crosstalk: -45dB Min @30MHz
-40dB Min @60MHz -35dB Min @100MHz
- Rated Current: 350mA
- Q: 5 Min @100KHz 100mV

Notes:

1. Solderability: Leads shall meet MIL-STD-202G, Method 208H for solderability.
2. Flammability: UL94V-0
3. ASTM oxygen index: > 28%
4. UL Recognized Component: File Number E165866
5. Operating Temperature Range: All listed parameters are to be within tolerance from -40°C to +85°C
6. Storage Temperature Range: -55°C to +125°C
7. Aqueous wash compatible
8. Electrical and mechanical specifications 100% tested
9. RoHS Compliant Component

DOC. REV: A/2

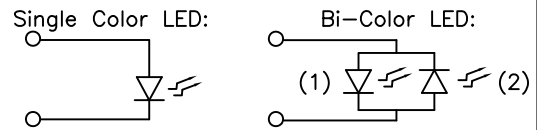


LED SCHEMATIC

Complete the Combo P/N as follows:

Replace 'x' & 'u' in the part number with one of the LED color letters:
 Y=Yellow
 G=Green
 A=Amber
 R=Red
 C=Green(1)/Amber(2) Bicolor
 D=Amber(1)/Green(2) Bicolor
 M=Green(1)/Yellow(2) Bicolor
 N=Yellow(1)/Green(2) Bicolor
 P=Red(1)/Green(2) Bicolor
 Q=Green(1)/Red(2) Bicolor
 E=Red(1)/Yellow(2) Bicolor
 F=Yellow(1)/Red(2) Bicolor
 H=Amber(1)/Yellow(2) Bicolor
 J=Green(1)/Green(2) Bicolor

'x' = Left LED Color
 'u' = Right LED Color

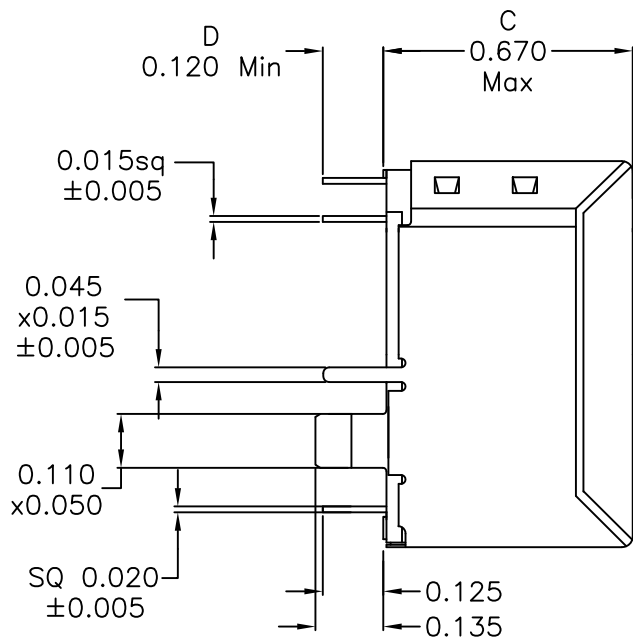


XFMRs Inc. www.XFMRs.com	Title: Vertical Gigabit COMBO		
	UNLESS OTHERWISE SPECIFIED TOLERANCES: .xxx ±0.010 Dimensions in Inch	P/N: XFGIB100APOL-LCVxu1-2M	REV. A
SHEET 1 OF 2	DWN.	Yuan	Aug-19-15
	CHK.	YK Liao	Aug-19-15
	APP.	DDC	Aug-19-15

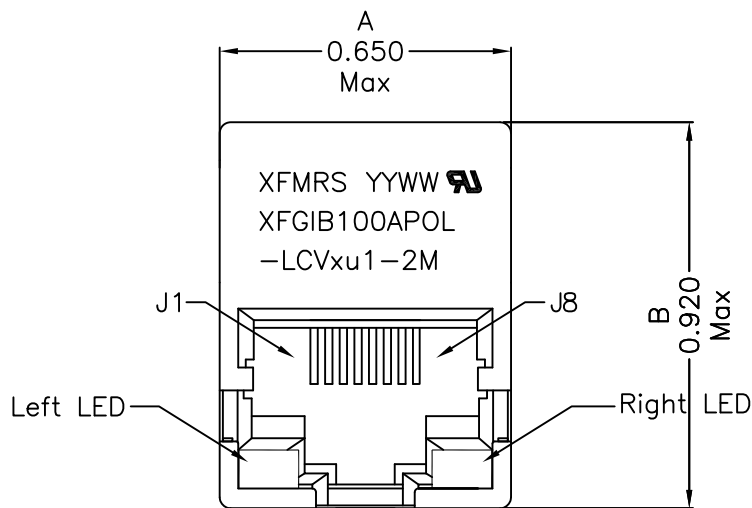
PROPRIETARY:

Document is the property of XFMRs Group & is not allowed to be duplicated without authorization.

Mechanical Dimensions:

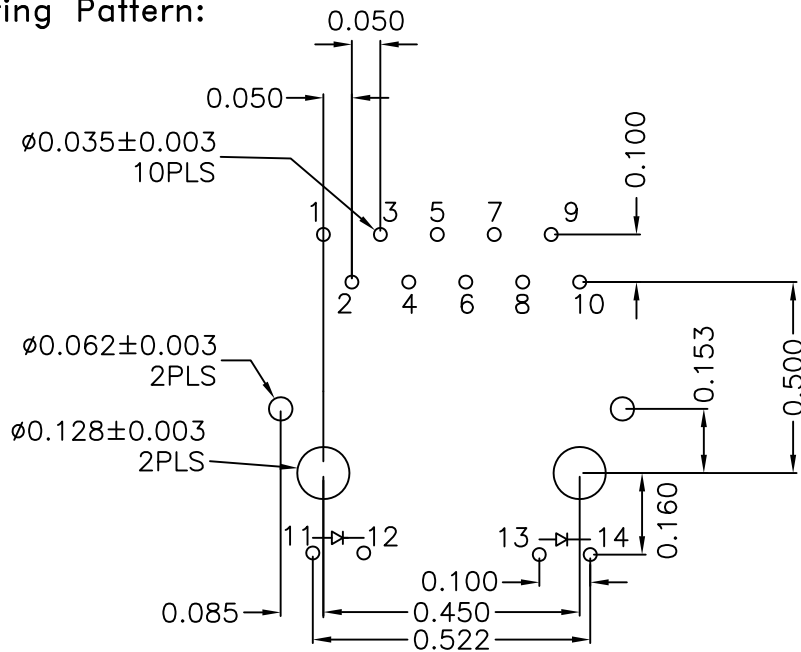


SIDE VIEW



TOP VIEW

Mounting Pattern:



P.C.B RECOMMENDED HOLE LAYOUT

DOC. REV: A/2

XFMRS Inc. www.XFMRS.com	Title: Mechanical Dimensions For LCVxu1-2M Series		
	UNLESS OTHERWISE SPECIFIED TOLERANCES: .xxx ±0.010 Dimensions in Inch	P/N: XFGIB100APOL-LCVxu1-2M	REV. A
SHEET 2 OF 2	APP. DDC	CHK. YK Liao	Aug-19-15

PROPRIETARY:

Document is the property of XFMRS Group & is not allowed to be duplicated without authorization.