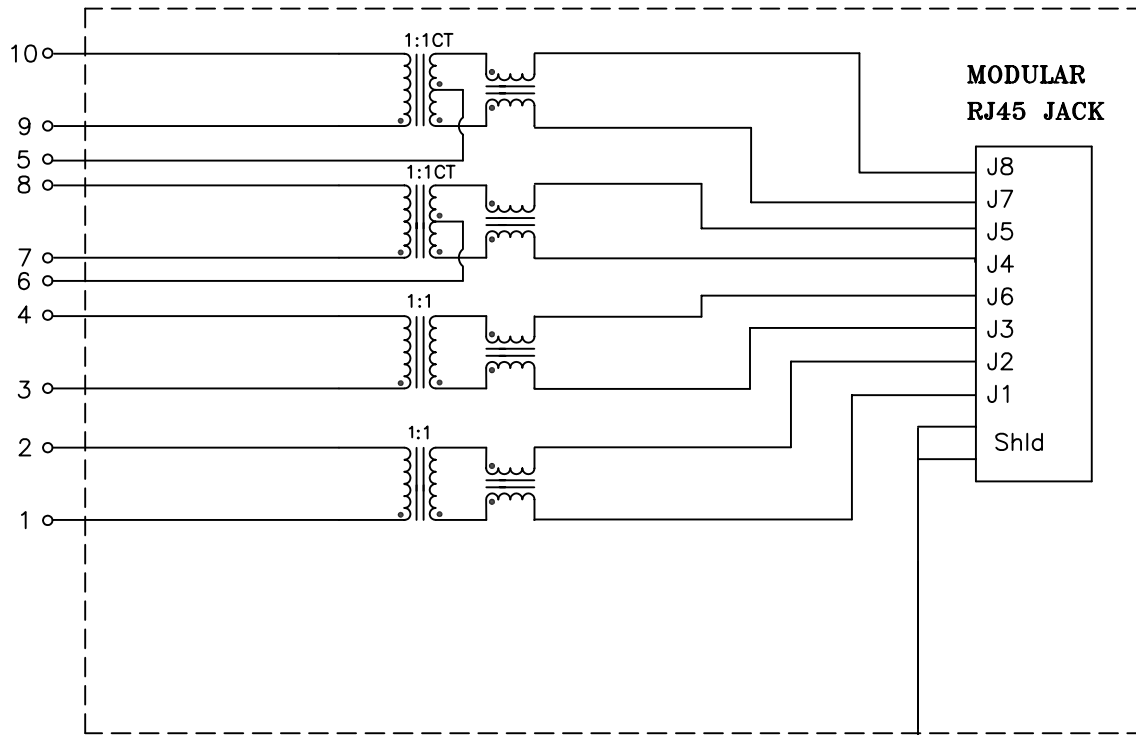


Schematic: (4 PORTS)

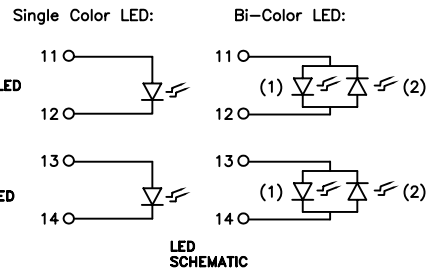


Electrical Specifications: @25°C

- ISOLATION: 1500 Vrms
- TURNS RATIO: (PRI/SEC) 1:1CT ±2%
- OCL: 350uH MIN @100KHz 100mV 8mADC
- DCR: P5-J7 and P5-J8 mismatch, 3% Max
- DCR: P6-J4 and P6-J5 mismatch, 3% Max
- Rise Time: 1.75ns Max.
- INSERTION LOSS: -1.0dB MAX @1MHz-100MHz
- RETURN LOSS:
 - 18dB Min @1-30MHz -18dB Min @30-40MHz
 - 16dB Min @40-50MHz -12dB Min @50-100MHz
- Common Mode Rejection:
 - 43dB Min @1-30MHz -37dB Min @30-60MHz
 - 33dB Min @60-125MHz
- Crosstalk: -45dB Min @0.3-30MHz
 - 43dB Min @30-60MHz -42dB Min @60-100MHz
- Balanced DC Line Current: 600mA Max @57Vdc continuous Pins 5 + 6
750mA Max @57Vdc for 200milliseconds Pins 5 + 6

Notes:

1. Solderability: Leads shall meet MIL-STD-202G, Method 208H for solderability.
2. Flammability: UL94V-0
3. ASTM oxygen index: > 28%
4. UL Recognized Component: File Number E165866
5. Operating Temperature Range: All listed parameters are to be within tolerance from -40°C to +85°C
6. Storage Temperature Range: -55°C to +125°C
7. Aqueous wash compatible
8. Electrical and mechanical specifications 100% tested
9. RoHS Compliant Component



Complete the Combo P/N as follows:

Replace 'x' & 'u' in the part number with one of the LED color letters:

Y=Yellow 'x' = Left LED Color
G=Green 'u' = Right LED Color
A=Amber
R=Red
C=Green(1)/Amber(2) Bicolor
D=Amber(1)/Green(2) Bicolor
M=Green(1)/Yellow(2) Bicolor
N=Yellow(1)/Green(2) Bicolor
P=Red(1)/Green(2) Bicolor
Q=Green(1)/Red(2) Bicolor
E=Red(1)/Yellow(2) Bicolor
F=Yellow(1)/Red(2) Bicolor
H=Amber(1)/Yellow(2) Bicolor
J=Green(1)/Green(2) Bicolor

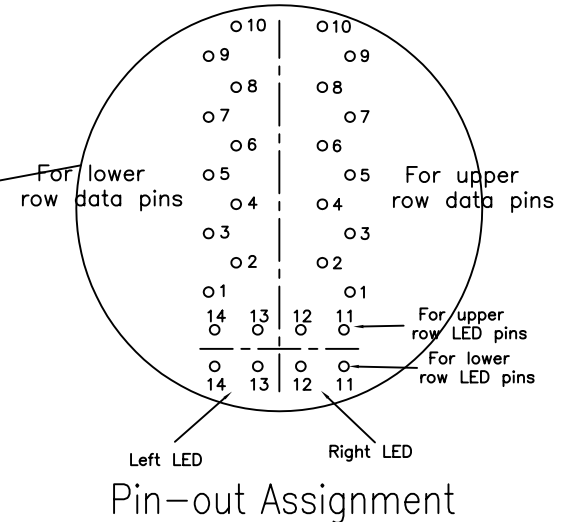
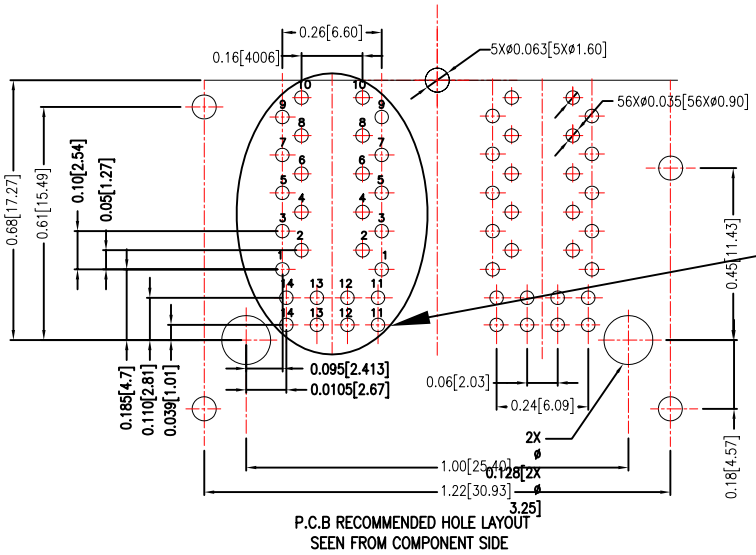
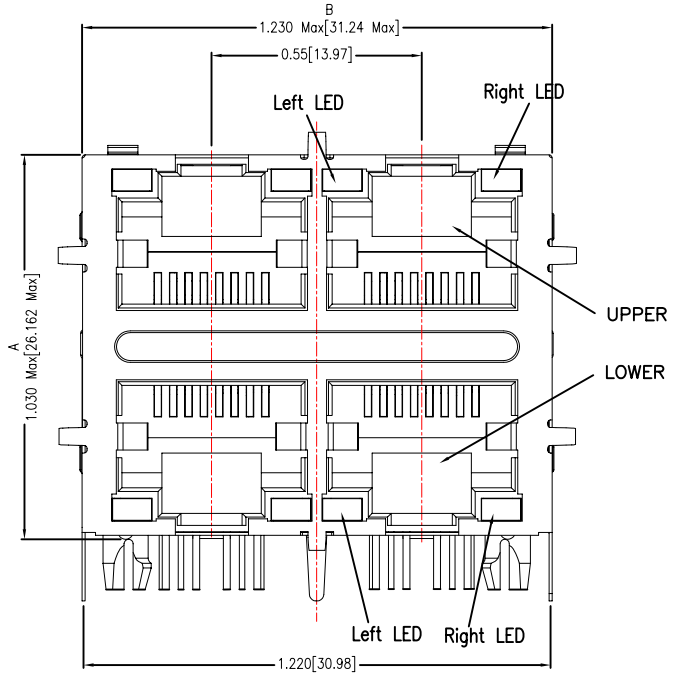
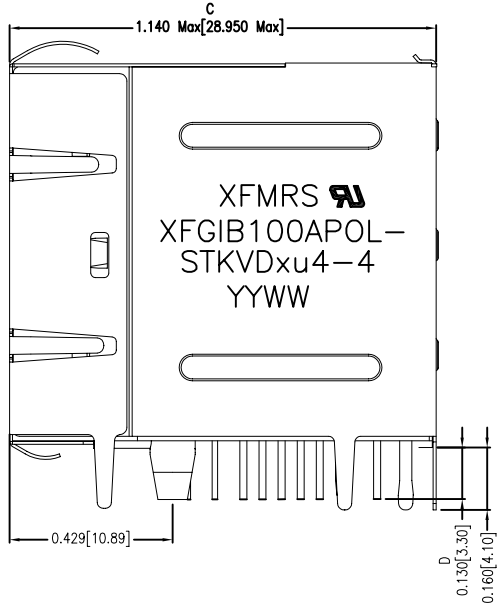
DOC REV.: A/2

PROPRIETARY:

Document is the property of XFMRs Group & is not allowed to be duplicated without authorization.

XFMRs Inc. www.XFMRs.com	Title: 2x2 STACKED COMBO		
	UNLESS OTHERWISE SPECIFIED TOLERANCES: .xxx ±0.010		P/N: XFGIB100APOL-STKVDxu4-4
Dimensions in Inch	DWN.	Feng	Jun-23-11
SHEET 1 OF 2	CHK.	YK Liao	Jun-23-11
	APP.	BW	Jun-23-11

Mechanical Dimensions:



DOC REV: A/2

PROPRIETARY

Document is the property of XFMRS Group & is not allowed to be duplicated without authorization.

XFMRS Inc. www.XFMRS.com		Title: Mechanical Dimensions For 2x2 Stacked COMBO with Vertical Dual lines Pins	
UNLESS OTHERWISE SPECIFIED TOLERANCES: .xxx ±0.010 [±0.25] Dimensions in Inch [mm]		P/N: XFGIB100APOL-STKVDxu4-4	REV. A
DWN.	Feng	Jun-23-11	
CHK.	YK Liao	Jun-23-11	
SHEET 2 OF 2	APP. BW	Jun-23-11	