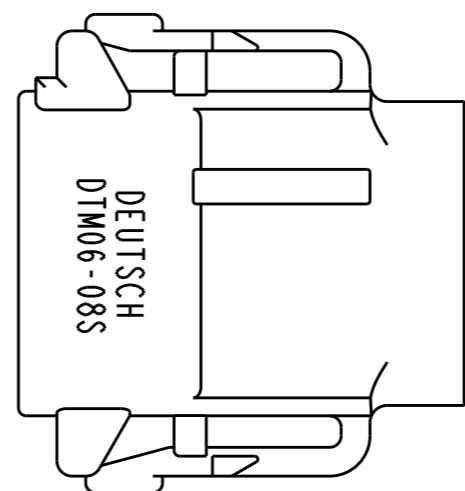
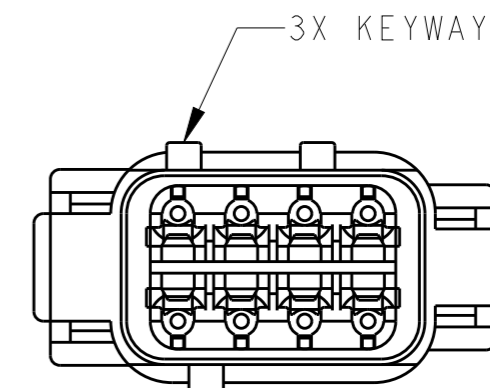
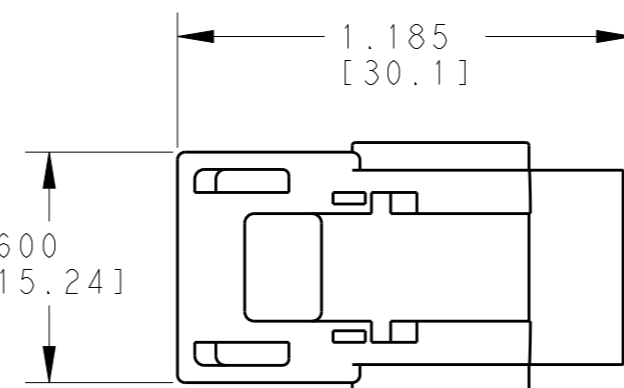
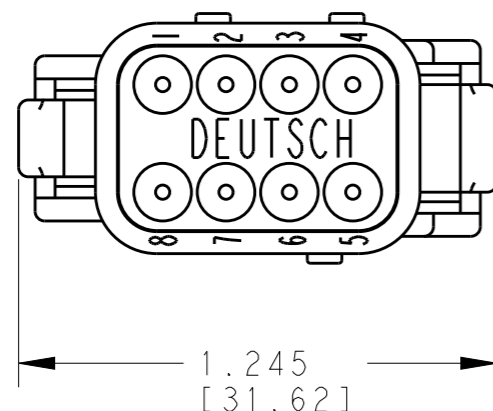
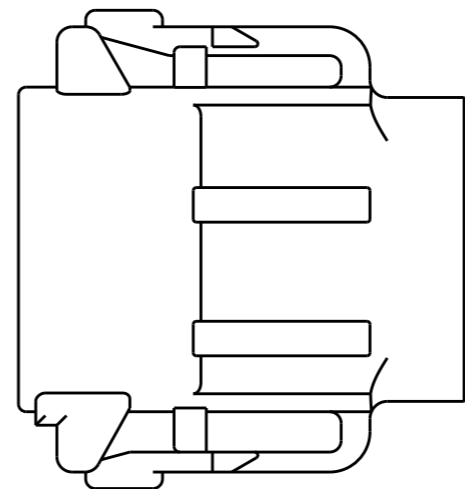
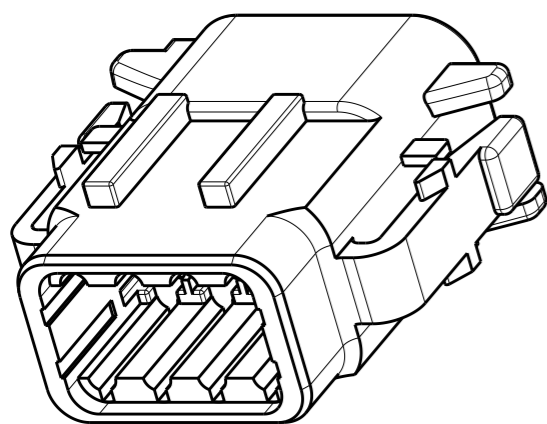


LOC		DIST		REVISIONS		
P	LTR	DESCRIPTION	DATE	DWN	APVD	
	A	REVISED PER ECO-14-016222	28OCT2014	JA	DM	
	A1	ECO-15-008171	29MAY2015	MGM	DM	
	A2	ECO-16-006326	22MAR2016	CHS	DM	



TE INTERNAL PN	DEUTSCH PN
DTM06-08SA	DTM06-08SA
DTM06-08SB	DTM06-08SB
DTM06-08SC	DTM06-08SC
DTM06-08SD	DTM06-08SD

CONTACT SIZE	MIN. INSUL. O.D.	MAX. INSUL. O.D.	WIRE RANGE [mm ²] REF ONLY
20	.053 [1.35]	.120 [3.05]	16-22 AWG [1.0-0.5]

5. SEE SHEET 2 FOR OTHER KEY ARRANGEMENTS.

4 MATERIAL - HOUSING: PA66; GROMMET: VMQ.

3. THIS PLUG MATES WITH DTM04-08PX-XXXX RECEPTACLE. (X = A,B,C,D KEYS; XXXX = ALL MODIFICATIONS)

2 FOR CONTACT AND WIRE PERFORMANCE AND APPLICATION CHARACTERISTICS SEE ENVELOPE DRAWING 0425-015-0000.

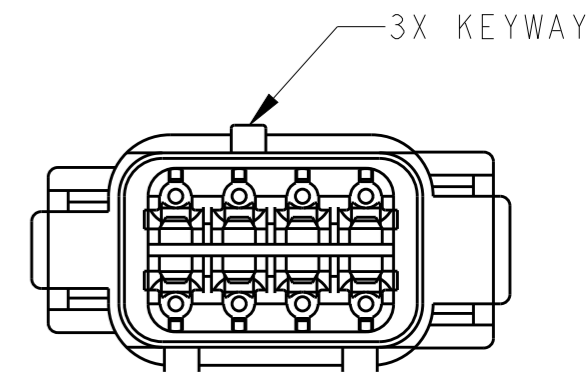
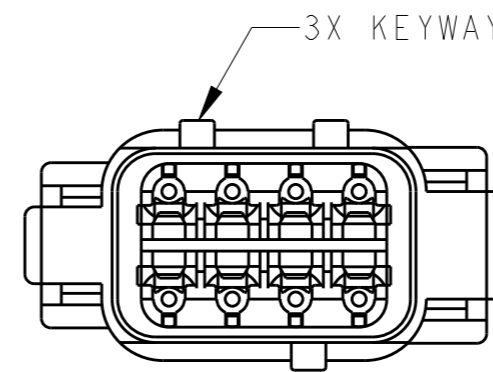
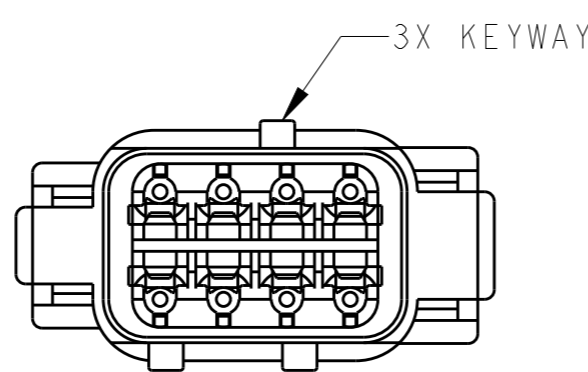
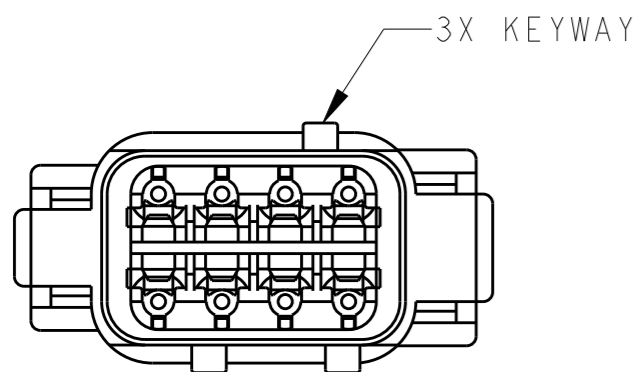
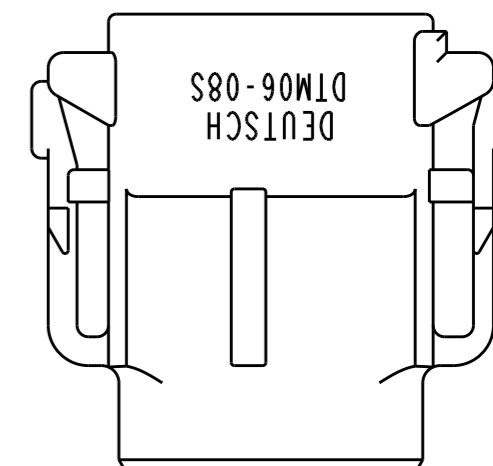
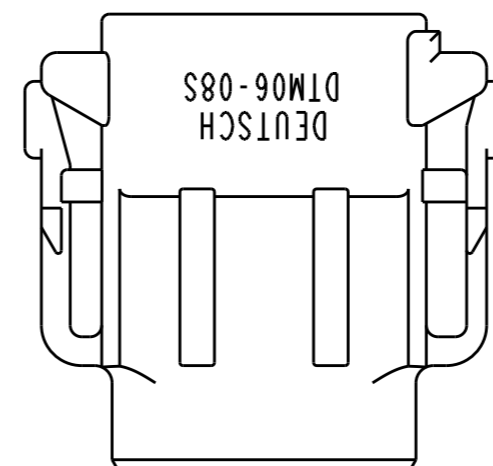
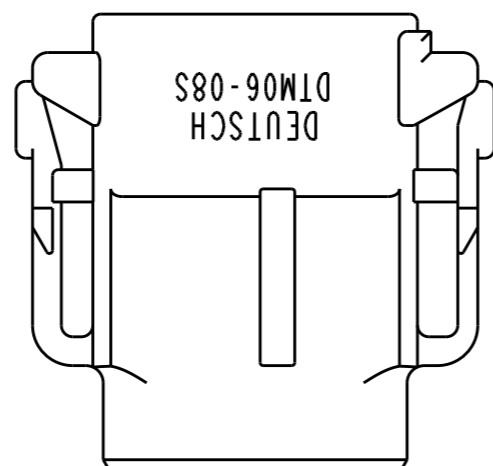
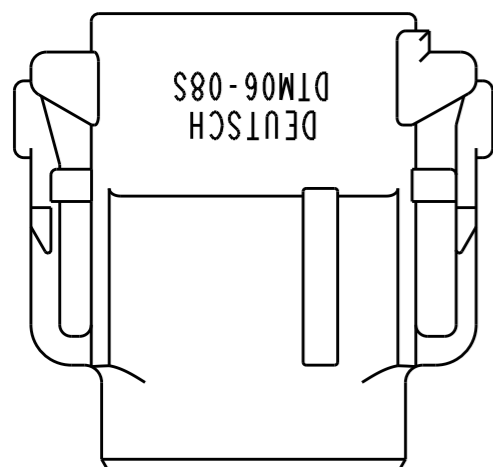
1. SECONDARY WEDGE LOCK SOLD SEPARATELY: WM-8S.

NOTES: UNLESS OTHERWISE SPECIFIED

THIS DRAWING IS A CONTROLLED DOCUMENT.		DWN 16APR2001 JAIME C. APOSTOL			
DIMENSIONS: INCHES [mm]		CHK 28OCT2014 BOB MILLIGAN			
TOLERANCES UNLESS OTHERWISE SPECIFIED:		APVD 28OCT2014 DAVID MEYER		NAME PLUG 8 CONTACTS SIZE 20 A,B,C,D KEYS DTM SERIES	
0 PLC ± 1 PLC ± 2 PLC ± 3 PLC ±.025 [0.635] 4 PLC ± ANGLES ±0°30'0"		PRODUCT SPEC 108-151010		SIZE A3	
MATERIAL 4		FINISH N/A		CAGE CODE 4AFU8	
		APPLICATION SPEC 0425-015-0000		DRAWING NO DTM06-08SX	
		WEIGHT 8.31g		RESTRICTED TO -	
		Customer Drawing		SCALE 2:1	
				SHEET 1 OF 2	
				REV A2	

THIS DRAWING IS UNPUBLISHED
RELEASED FOR PUBLICATION
2014
COPYRIGHT 2001 BY TE CONNECTIVITY
ALL RIGHTS RESERVED.

LOC		DIST		REVISIONS			
P	LTR	DESCRIPTION		DATE	DWN	APVD	
	-	SEE SHEET 1		-	-	-	



DTM06-08SA
KEY -A-
COLOR: GREY

DTM06-08SB
KEY -B-
COLOR: BLACK

DTM06-08SC
KEY -C-
COLOR: GREEN

DTM06-08SD
KEY -D-
COLOR: BROWN

THIS DRAWING IS A CONTROLLED DOCUMENT.		DWN JAIME C. APOSTOL 16APR2001														
DIMENSIONS: INCHES [mm]		CHK BOB MILLIGAN 28OCT2014														
TOLERANCES UNLESS OTHERWISE SPECIFIED:		APVD DAVID MEYER 28OCT2014	NAME PLUG 8 CONTACTS SIZE 20 A,B,C,D KEYS DTM SERIES													
<table border="0"> <tr><td>0 PLC</td><td>±</td></tr> <tr><td>1 PLC</td><td>±</td></tr> <tr><td>2 PLC</td><td>±</td></tr> <tr><td>3 PLC</td><td>±.025 [0.635]</td></tr> <tr><td>4 PLC</td><td>±</td></tr> <tr><td>ANGLES</td><td>±0°30'0"</td></tr> </table>		0 PLC	±	1 PLC	±	2 PLC	±	3 PLC	±.025 [0.635]	4 PLC	±	ANGLES	±0°30'0"	PRODUCT SPEC 108-151010	SIZE A34AFU8	
0 PLC	±															
1 PLC	±															
2 PLC	±															
3 PLC	±.025 [0.635]															
4 PLC	±															
ANGLES	±0°30'0"															
MATERIAL 4		APPLICATION SPEC 0425-015-0000	DRAWING NO DTM06-08SX													
FINISH N/A		WEIGHT 8.31g	RESTRICTED TO -													
		Customer Drawing	SCALE 2:1	SHEET 2 OF 2												
			REV A2													