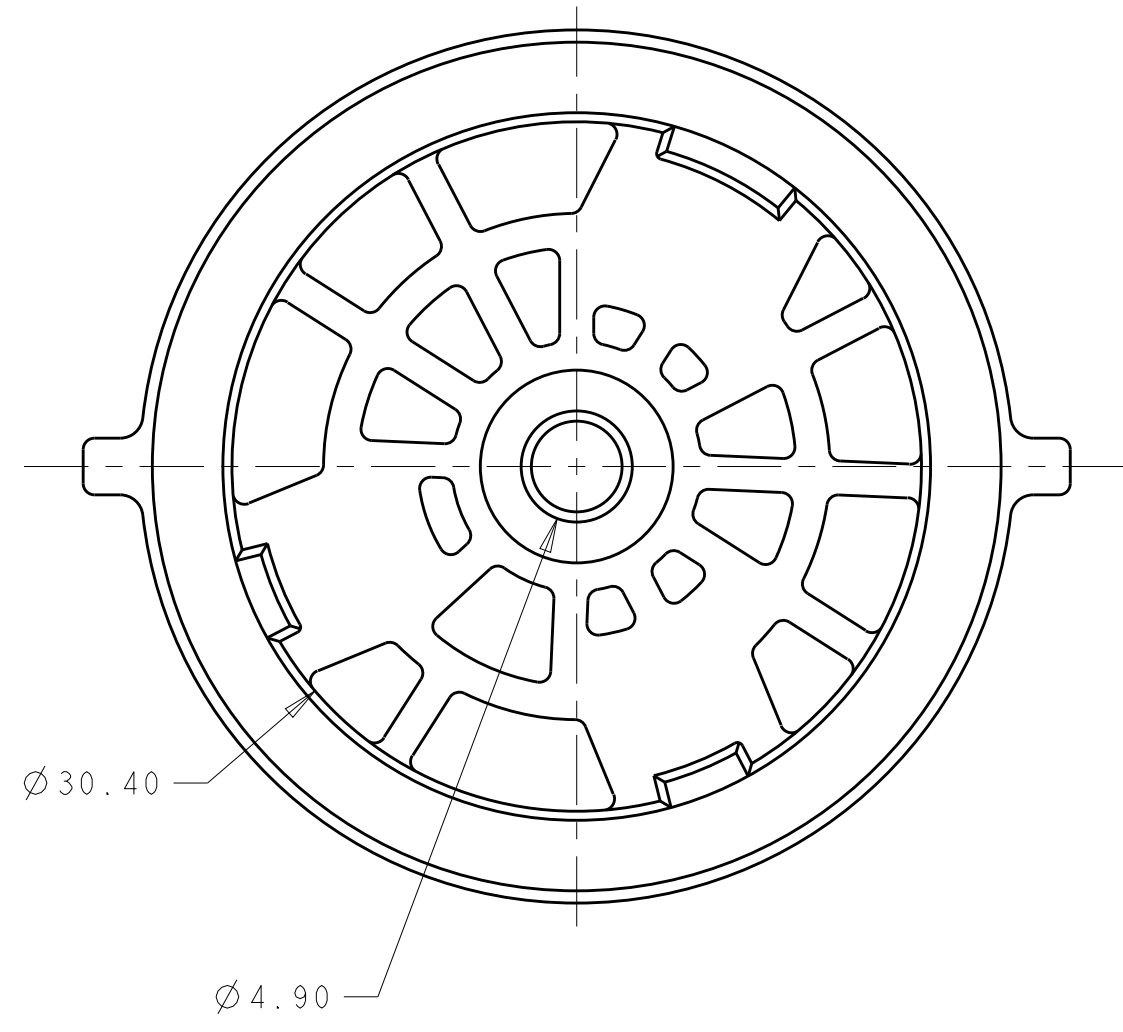
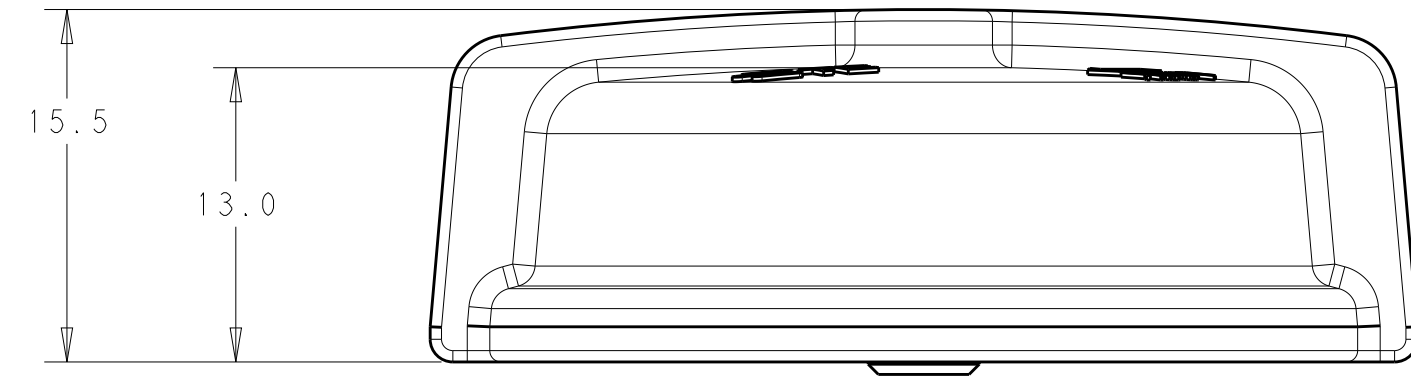
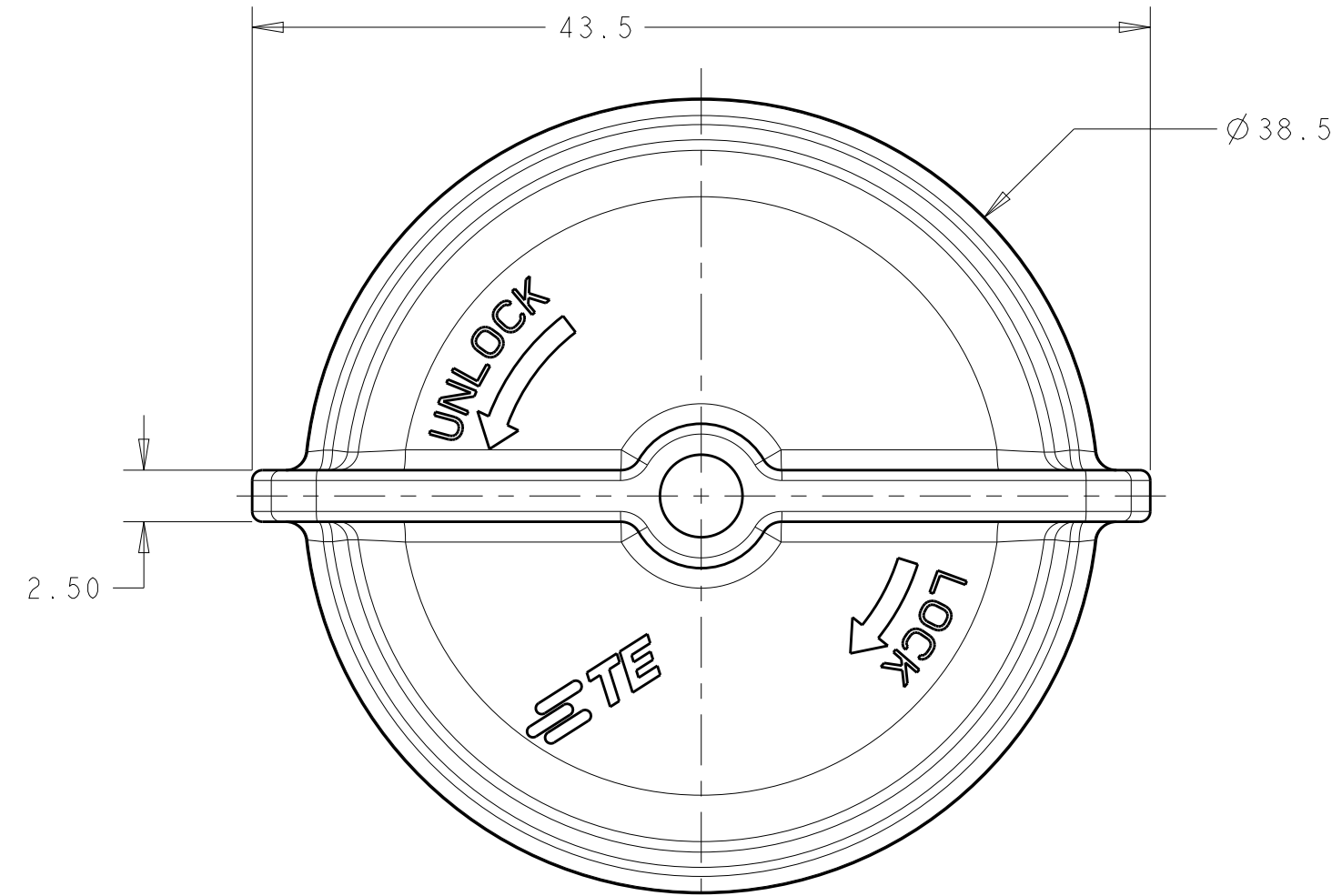


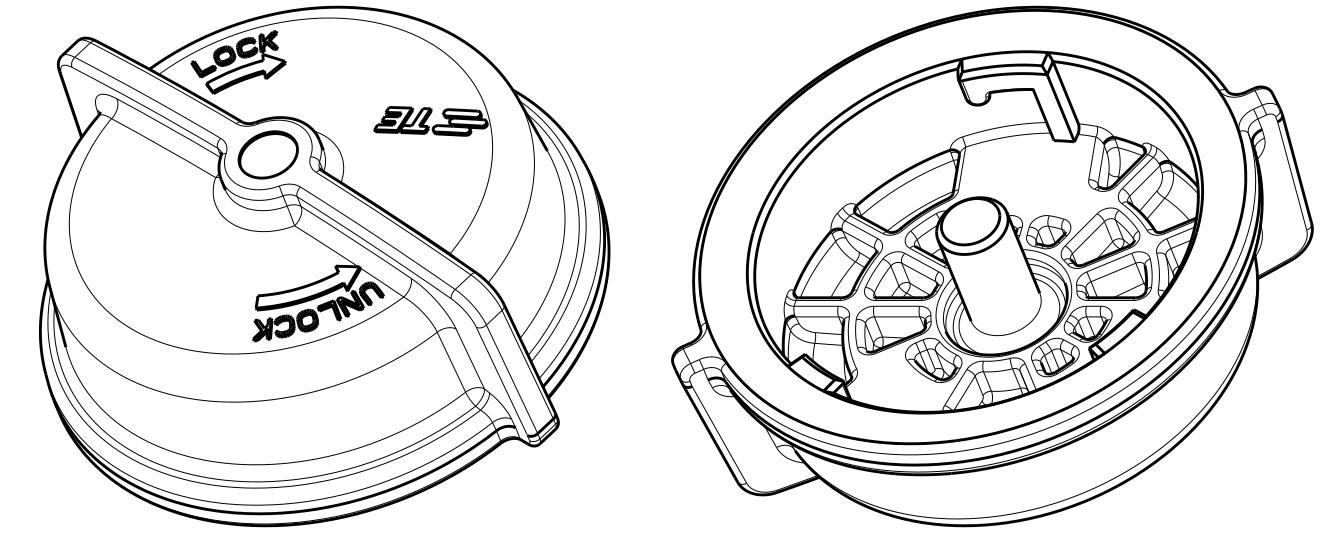
THIS DRAWING IS UNPUBLISHED. RELEASED FOR PUBLICATION
 © COPYRIGHT copyright.d8te- ALL RIGHTS RESERVED.

REVISIONS				
P	LTR	DESCRIPTION	DATE	APVD
5		REMOVE PRELIM NOTE	10AUG2017	MM MM



NOTES:

- 1 MATERIALS AND FINISH:
-SEALING CAP: PBT, COLOR: SEE TABLE
- 2. MUST COMPLY WITH DIRECTIVE 2002/95/EC (ROHS)



LIGHT GRAY	2213795-2
DARK GRAY	2213795-1
COLOR	PART NO.

THIS DRAWING IS A CONTROLLED DOCUMENT.		DWN C. DAILY 04APR2016	STE TE Connectivity	
		CHK E. HOWARD 04APR2016		
DIMENSIONS: mm		APVD -	NAME SEALING CAP, LUMAWISE ENDURANCE S RECEPTACLE	
TOLERANCES UNLESS OTHERWISE SPECIFIED: 0 PLC ± 1 PLC ±0.2 2 PLC ±0.15 3 PLC ± 4 PLC ± ANGLES ±2 FINISH		PRODUCT SPEC 108-133073	SIZE A2	
MATERIAL		APPLICATION SPEC 114-133074	CAGE CODE -	DRAWING NO. C-2213795
		WEIGHT -	RESTRICTED TO -	
		CUSTOMER DRAWING	SCALE 5:1	SHEET 1 OF 1
				REV 5