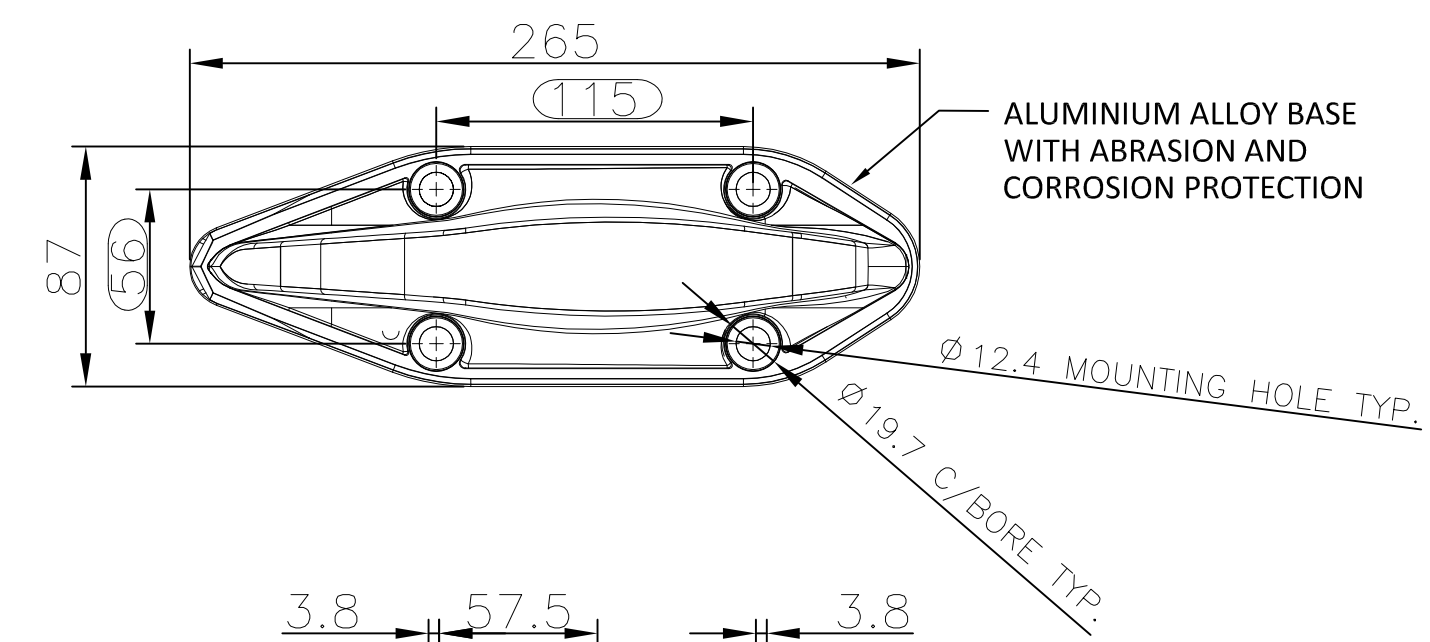
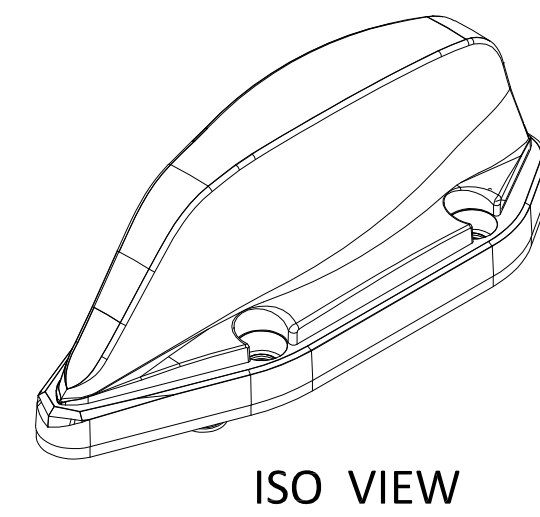
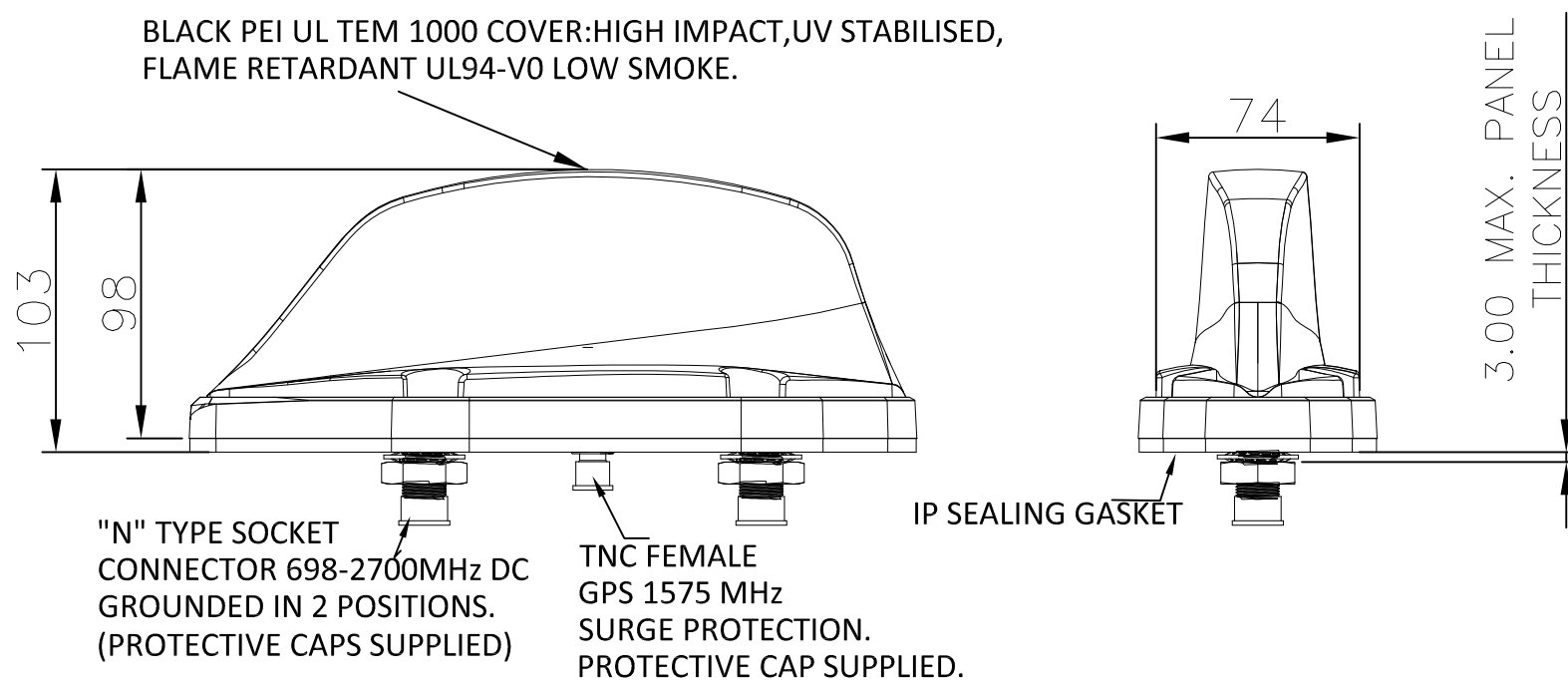


THIS DRAWING IS UNPUBLISHED. RELEASED FOR PUBLICATION FEB ,2006.  
 © COPYRIGHT 2006 By - ALL RIGHTS RESERVED.

PROJECT	PRJ-16-000905033
PART NO	1-2823592-1
HV DESC	MiMo with GPS/GNSS,2X 698-960/1710-6000 MHZ
CUSTOMER	GENERAL MARKET

P	LTR	DESCRIPTION	DATE	DWN	APVD
	A1	ECR-16-007284	20MAY16	GG	GG



NOTES:

1. ALL PARTS MUST BE RoHS COMPLIANT AND MUST NOT CONTAIN ANY SUBSTANCES OF VERY HIGH CONCERN (SVHCs) LISTED UNDER REACH OR POLYAROMATIC HYDRACARBONS (PAHs) OR PERSISTENT ORGANIC POLLUTANTS (POPs) CONTROLLED BY THE STOCKHOLM CONVENTION.
2. DENOTES CRITICAL DIMENSION
3. WEIGHT 1294g(Approx)
4. FOR INSTALLATION INSTRUCTIONS,PLEASE REFER 408-156025

THIS DRAWING IS A CONTROLLED DOCUMENT.		DWN	GUNA	04MAR2016	TE Connectivity
DIMENSIONS: mm		CHK	GUNA	04MAR2016	
		APVD	-	04MAR2016	
TOLERANCES UNLESS OTHERWISE SPECIFIED:		PRODUCT SPEC		NAME	
0 PLC ± 5		-		TRANSIT ANTENNA	
1 PLC ± -		APPLICATION SPEC		MiMo with GPS/GNSS,2X 698-960/1710-6000 MHZ	
2 PLC ± -		-		SIZE	A3
3 PLC ± -		MATERIAL		CAGE CODE	00779
4 PLC ± -		FINISH		DRAWING NO	C-2823592
ANGLES ± -		-		RESTRICTED TO	-
-		-		WEIGHT	-
-		-		CUSTOMER DRAWING	
-		-		SCALE	NTS
-		-		SHEET	1 OF 1
-		-		REV	A1