

4

3

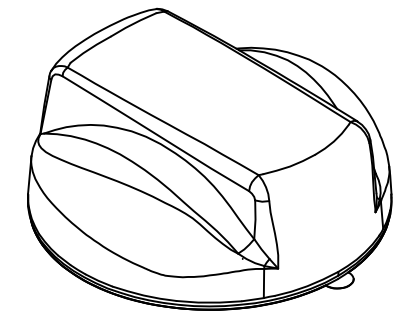
2

1

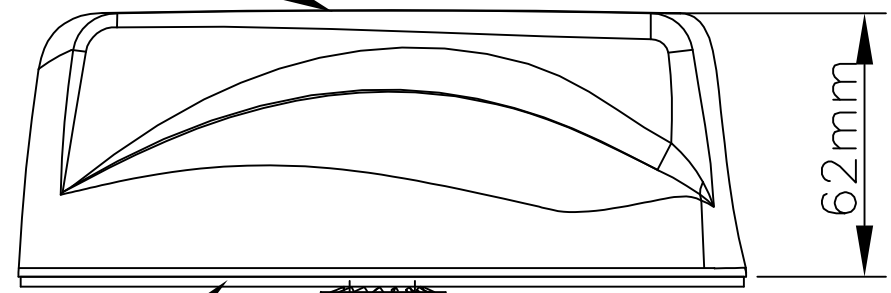
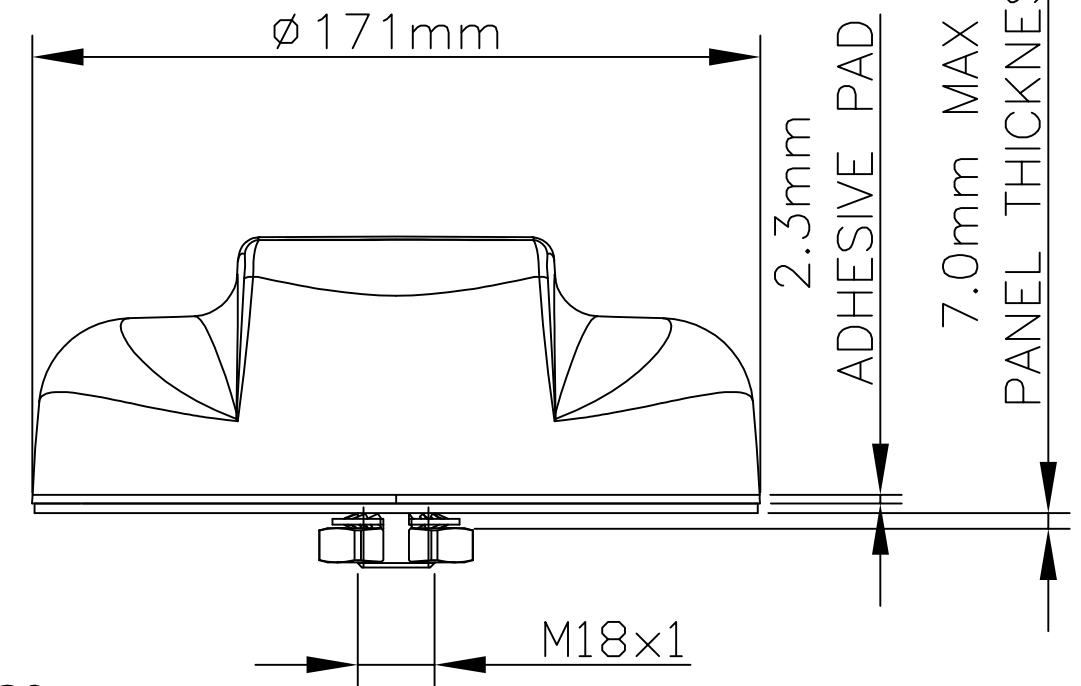
THIS DRAWING IS UNPUBLISHED.		RELEASED FOR PUBLICATION		FEB ,2006.	
© COPYRIGHT 2006 By -		ALL RIGHTS RESERVED.			
PROJECT	PRJ-16-000905033				
PART NO	X-2823595-X				
HV DESC	MiMo with GPS,LOW PROFILE,2G/3G/4G				
CUSTOMER	GENERAL MARKET				

REVISIONS					
P	LTR	DESCRIPTION	DATE	DWN	APVD
	A1	REVISED PER ECR-16-014891	25NOV16	KK	GG

HOUSING MOULDED IN  
WHITE A.S.A



ISO VIEW



62mm

BASE: ALUMINUM

SLOTTED NUT AND  
SHAKE PROOF WASHER

CS29 COAX CABLE  
300mm LONG  
(2 POSITIONS)

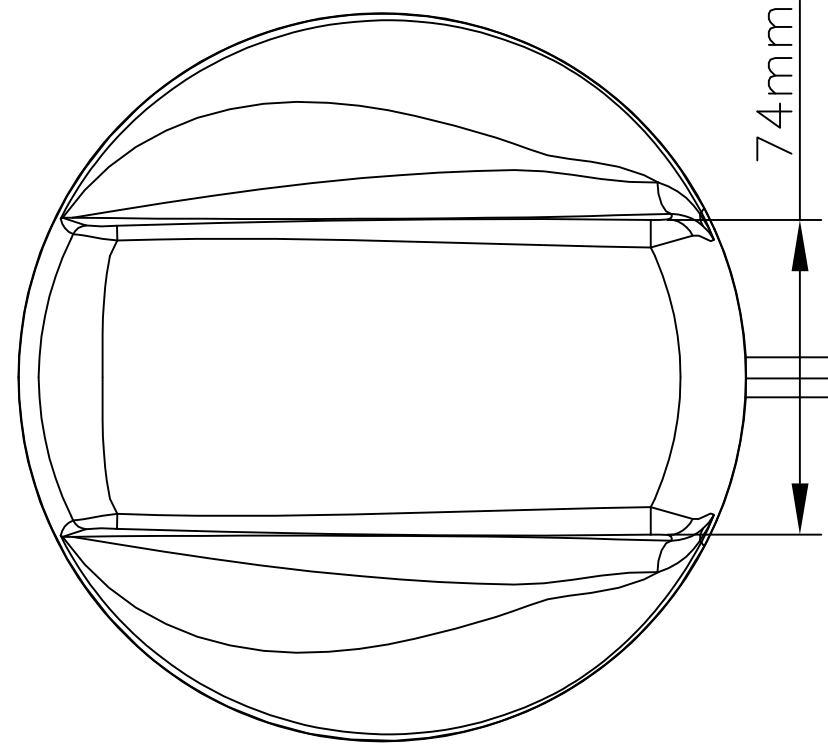
SMA PLUGS

RG174 COAX CABLE  
300mm LONG

FME JACK

NOTES:

1. ALL PARTS MUST BE RoHS COMPLIANT AND MUST NOT CONTAIN ANY SUBSTANCES OF VERY HIGH CONCERN (SVHCs) LISTED UNDER REACH OR POLYAROMATIC HYDRACARBONS (PAHs) OR PERSISTENT ORGANIC POLLUTANTS (POPs) CONTROLLED BY THE STOCKHOLM CONVENTION.
2. WEIGHT 480g(Approx)
3. FOR INSTALLATION INSTRUCTIONS,PLEASE REFER 408-156027
- 4.OPERATING FREQUENCIES:  
CELL FEED 1: 698-960 / 1710-2700 MHz  
CELL FEED 2: 698-960 / 1710-2700 MHz  
GPS FEED 3: 1575 MHz 26dB LNA



74mm

1-2823595-2	MiMo with GPS,LOW	BLACK COLOR
1-2823595-1	PROFILE,2G/3G/4G	WHITE COLOR
TE PN'S	DESCRIPTION	REMARKS

THIS DRAWING IS A CONTROLLED DOCUMENT.		DWN	GUNA	20MAY2016
		CHK	GUNA	20MAY2016
		APVD		04MAR2016
DIMENSIONS: mm		TOLERANCES UNLESS OTHERWISE SPECIFIED:		
		0 PLC	± 5	
		1 PLC	± -	
		2 PLC	± -	
		3 PLC	± -	
		4 PLC	± -	
MATERIAL		FINISH		
		WEIGHT		
		CUSTOMER DRAWING		

				NAME	
				TRANSIT ANTENNA MiMo with GPS,LOW PROFILE,2G/3G/4G	
SIZE	CAGE CODE	DRAWING NO	RESTRICTED TO		
A3	00779	C=2823595	-		
SCALE		SHEET	REV		
NTS		1 OF 1	A1		