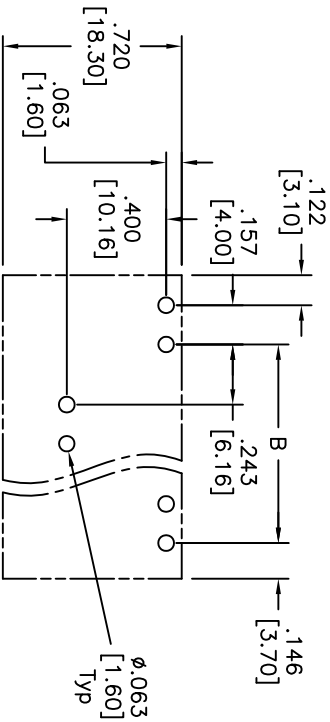
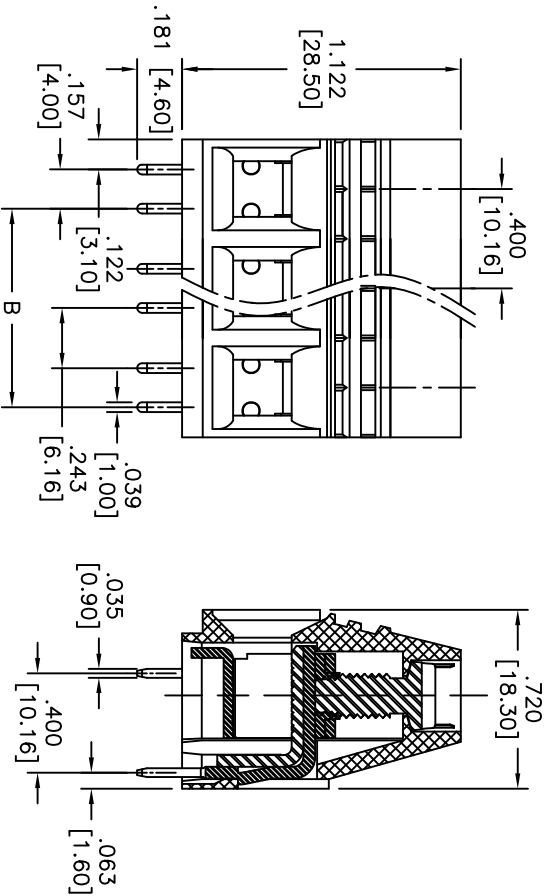
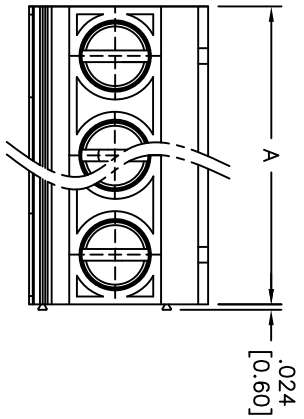


Rev	AWO #	Description	Date	Appr
-		RELEASED	7/20/10	

APPROVED: _____
 DATE: _____ TITLE: _____



RECOMMENDED PCB LAYOUT

SPECIFICATIONS:

- Material: Insulator: Thermoplastic, rated UL 94V-0
- Insulator color: Black
- Clamp: Stainless steel, Zinc plated
- Wire guard solder pin: Copper, Tin plated
- Screw: Steel Zinc plating
- Electrical:
 - Operation voltage: 300 VAC max
 - Current rating: 65 Amps max per Pole
 - Dielectric withstanding voltage: 1600 VAC for 1 minute
- Mechanical:
 - Screw Torque(Lb-in): 19
 - Environmental:
 - Operating temperature: -40°C to +115°C
 - Lead free, RoHS compliant.
 - Recommended soldering temp: 235°C for 5 sec.

Poles: 2 thru 12
 A = .400 [10.16] X No. of Poles
 B = .400 [10.16] X No. of Spoces

UNLESS OTHERWISE SPECIFIED
 ALL DIMENSIONS ARE MM [INCHES]
 TOLERANCES: EXCEPT AS NOTED

INCHES: .XX ± .10 ØXX ± .015
 .XX ± .020 ØXX ± .015
 .XXX ± .015 ØXXX ± .010

APPROVALS

APPROVALS	DATE
DRAWN	DY
CHECKED	7/20/10
APPROVED	

ADAM TECH

909 Rahway Avenue, Union, NJ 07083
 Phone: 908-687-5000 Fax: 908-687-5710

TERMINAL BLOCK, .400" [10.16] PITCH, PCB

SIZE	PART NO.	REV.
X	EBYD-XX-J	-

REF: S00007T SCALE: NTS SHEET 1 OF 1



6

5

4

3

2

1