



# SSV66A000SM16

## Side mount, vertical switch - on centreline

- Switch operates at level of mounting centreline
- 50 VA switching capacity
- 316 Stainless steel material
- Horizontal mounting and vertical float movement gives accurate level detection without needing a top mounting switch.
- Suitable for use at up to 10 bar pressure



### Technical Specification

Mounting style	Internal	Cable length - standard	100cm
Mounting thread	M16x2	Wire 17/0.10 - AWG22	Teflon insulated
Float & Stem material	316grade SS	Cable conductor material	Tinned copper
Maximum Temperature	120°C	Cable sheath material	PVC
Maximum pressure	10 bar	Cable temperature rating	125°C
Float SG	0.7	Sealing gasket	Nitrile
Minimum fluid SG	0.8	Tightening torque for fixing nut	2.0kg/cm

### Electrical Specification

Contact Form		N/O (N/C)
Switching Power Max	VA	50
Switching Voltage AC Max	V	240
Switching Voltage DC Max	V	240
Switching Current Max	A	1.0

All ratings are for resistive load only.

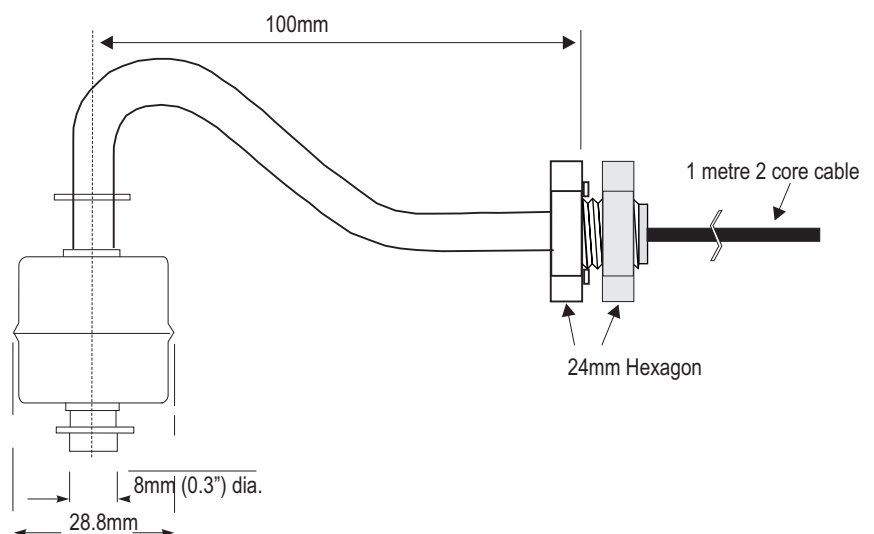
This switch is designed to give the switch level accuracy of a vertical switch, but without the need to mount the switch in the top of the tank. This can also avoid the need for a long vertical top mounted switch, as this switch can be mounted at the required level in the side of the tank.

The switch is configured to give a normally open switch action (with no liquid present) when the switch is positioned as shown in the dimensioned sketch below. The switch action can be reversed by rotating the mounting shaft by 180°.

Standard Parts	Material	Max Power	Leadouts	Gasket
SSV66A000SM16	SS 316	50VA	2 core Teflon insulated	Nitrile

Custom versions can be made for particular applications. Please contact Cynergy3 with your requirements.

### Mechanical Dimensions



Cynergy3 Components Ltd.  
7 Cobham Road  
Ferndown Industrial Estate  
Wimborne, Dorset BH21 7PE  
Telephone +44 (0) 1202 897969

Email:sales@cynergy3.com

ISO9001 CERTIFIED

SSV66A000SM16 2015.jpg

www.cynergy3.com