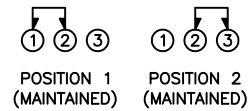


**SCHEMATIC**



**SPECIFICATIONS**

FUNCTION:  
1P2T ON-ON

RATINGS:  
0.5A 50VDC

CONTACT RESISTANCE:  
Initial: 30mΩ Max.

INSULATION RESISTANCE:  
500MΩ Min. at 500VDC

DIELECTRIC STRENGTH:  
500VAC For 1 Minute

ELECTRICAL LIFE:  
10,000 Cycles

APPROVALS:

**RoHS LEAD FREE**  
COMPLIANT PROCESS COMPATIBLE

**MATERIALS**

UPPER BODY:  
Nickel Plated Cold Rolled Steel (SPCC-SD)

LOWER BODY:  
Penolic Board (SD-102C), UL94 HB

ACTUATOR:  
Polyoxymethylene (POM)  
(TYSTRON POM7520), UL94 HB

SPRING:  
Steel

CONTACT:  
Silver Plated Brass (C2680R)

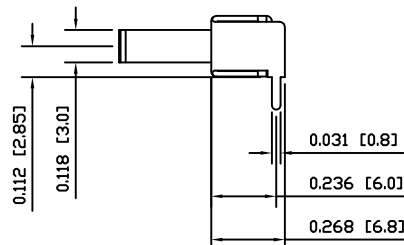
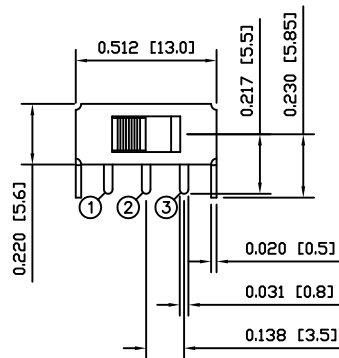
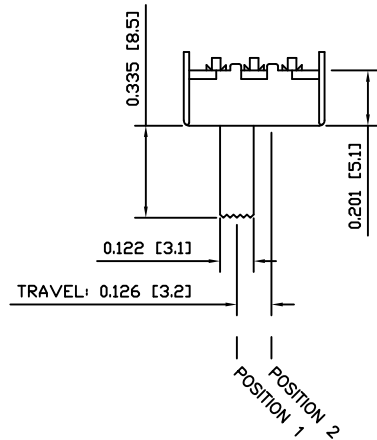
TERMINALS:  
Silver Plated Brass (C2680R)

OTHER:  
Red Terminal Sealant (AKS881R)

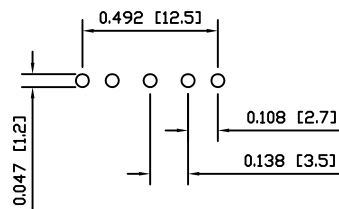
**COLORS**

BODY:  
Metallic

ACTUATOR:  
Black



**SUGGESTED PCB LAYOUT**



<b>LSS-120701B8.5</b>			
DIMENSIONS INCHES [MILLIMETERS] GENERAL TOLERANCES ±0.008 [±0.2] / ±1'		DRAWING NUMBER 03-LSS120701B85	
SCALE DRAWING NOT TO SCALE		DATE OCTOBER 8, 2009	
THE INFORMATION CONTAINED IN THIS DOCUMENT IS PROPRIETARY TO E-SWITCH AND IS NOT TO BE COPIED OR TRANSFERRED		REVISION A	

1	2	3	4	5	6	7	8
---	---	---	---	---	---	---	---