



FJH SERIES

(0.50 mm) .0197"

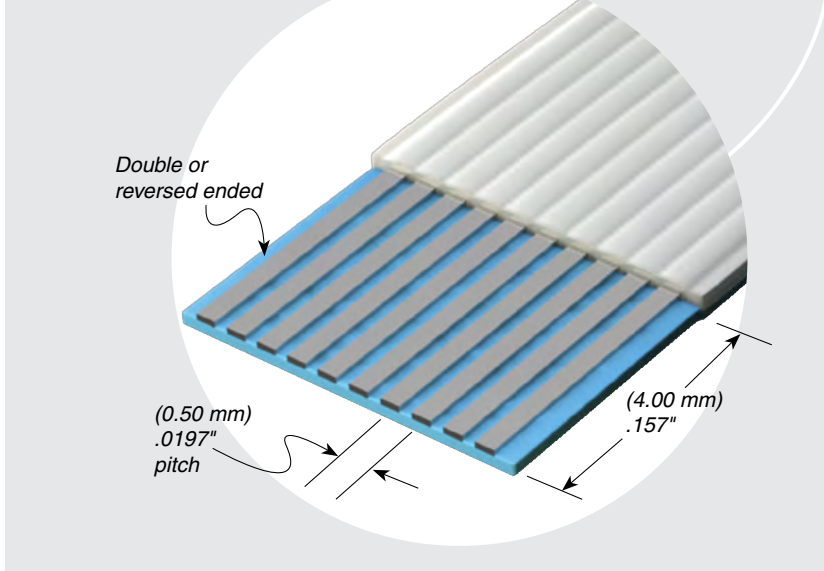
FLAT FLEXIBLE CABLE (FFC) JUMPER

SPECIFICATIONS

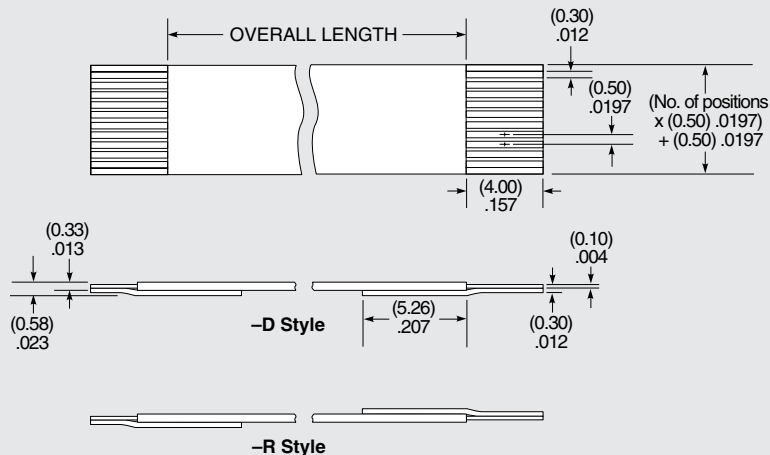
For complete specifications see www.samtec.com?FJH

- Conductor:**
Tin Plated Copper
- Conductor Resistance:**
1000 Ω/km max
- Insulation Resistance:**
10 MΩ/km min
(conductor-to-conductor)
- Dielectric Test:**
400 VAC during 1 minute
(conductor-to-conductor)
- Temperature Rating:**
-30 °C to +80 °C
- Voltage Rating:**
60 VAC
- Flame Resistance:**
VW-1 (UL 758)
- RoHS Compliant:**
Yes

Mates with:
ZF5S



FJH	NO. OF POSITIONS	STYLE	OVERALL LENGTH	STRIP LENGTH
	-10, -15, -20, -25, -30, -40, -43, -50	-D = Double End -R = Reversed End	-“XX.XX” = Specify OVERALL LENGTH in inches (±1/8 inch) (-D & -R = (50.80 mm) 2.00" minimum)	-4 = (4.00 mm) .157"



Note: Stiffener color will be blue or black at Samtec's discretion.

Note: Some sizes, styles and options are non-standard, non-returnable.