

FEATURES

- Isolated mounting base 2500V-
- Pressure contact technology with Increased power cycling capability
- Space and weight savings
- Welding

TYPICAL APPLICATIONS

- Inverter
- Inductive heating
- Chopper

TECHNICAL DATA

DEVICE TYPE	V _{RRM} (V)	V _{RSM} (V)
MDS100/04	400	500
MDS100/16	1600	1700



SYMBOL	CHARACTERISTIC	TEST CONDITIONS	T _j (°C)	VALUE			UNIT
				Min	Type	Max	
I _O	DC output current	Three-phase full wave rectifying circuit, T _C =100°C	150			100	A
V _{RRM}	Repetitive peak reverse voltage	V _{RRM} tp=10ms V _{RSM} = V _{RRM} +200V	150	600		1600	V
I _{RRM}	Repetitive peak current	at V _{RRM}	150			8	mA
I _{FSM}	Surge forward current	10ms half sine wave	150			1.2	KA
I ² t	I ² T for fusing coordination	V _R =0.6V _{RRM}				7.2	A ² s*10 ³
V _{FO}	Threshold voltage		150			0.8	V
r _F	Forward slop resistance					4.5	mΩ
V _{FM}	Peak forward voltage	I _{FM} =100A	25			1.3	V
R _{th(j-c)}	Thermal resistance Junction to case	Single side cooled				0.2	°C /W
R _{th(c-h)}	Thermal resistance case to heatsink	Single side cooled				0.07	°C /W
V _{iso}	Isolation voltage	50Hz, R. M. S. t=1min, I _{iso} :1mA(max)		2500			V
F _m	Terminal connection torque(M5)				4		N·m
	Mounting torque(M6)				6		N·m
T _{stg}	Stored temperature			-40		125	°C
W _t	Weight				200		g
Outline	IR- 5						

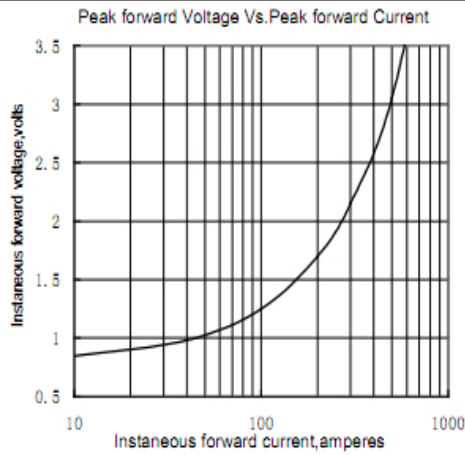


Fig.1

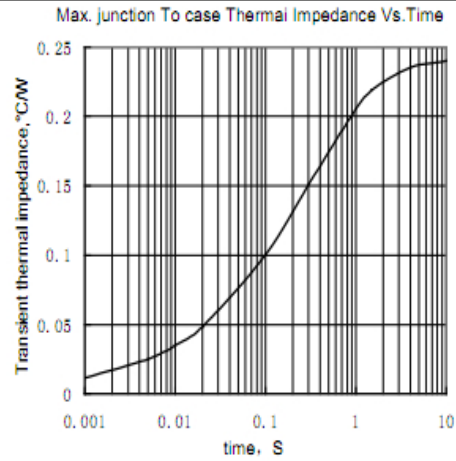


Fig.2

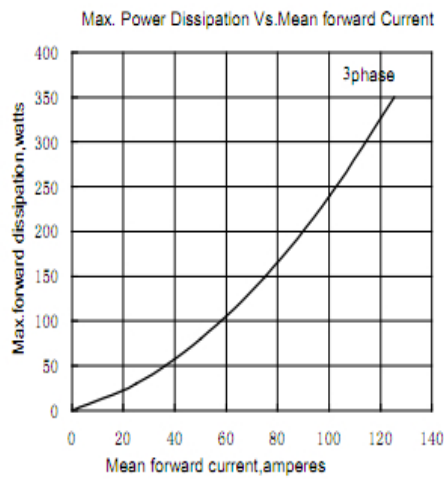


Fig.3

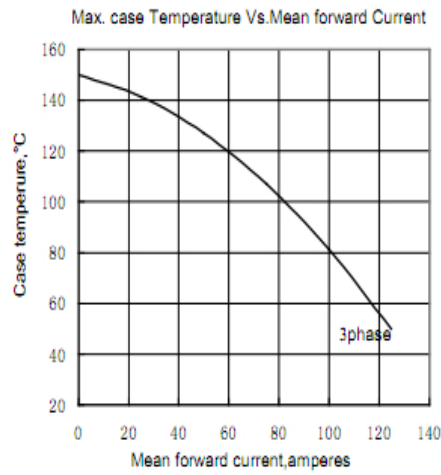


Fig.4

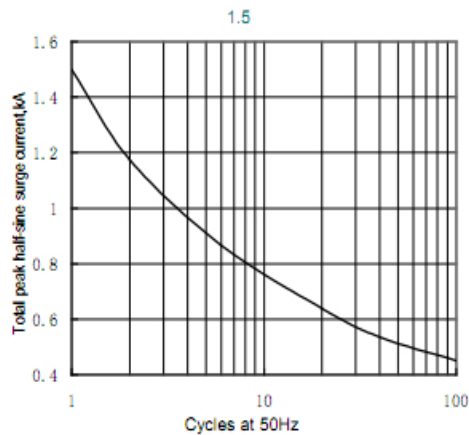


Fig.5

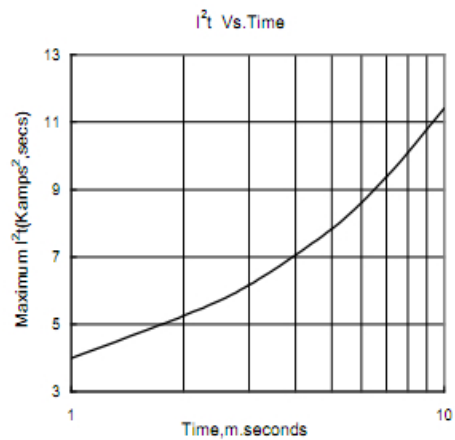
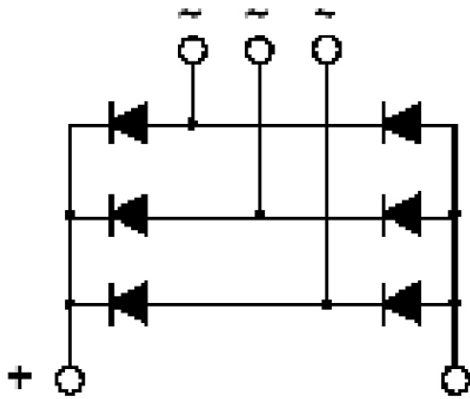
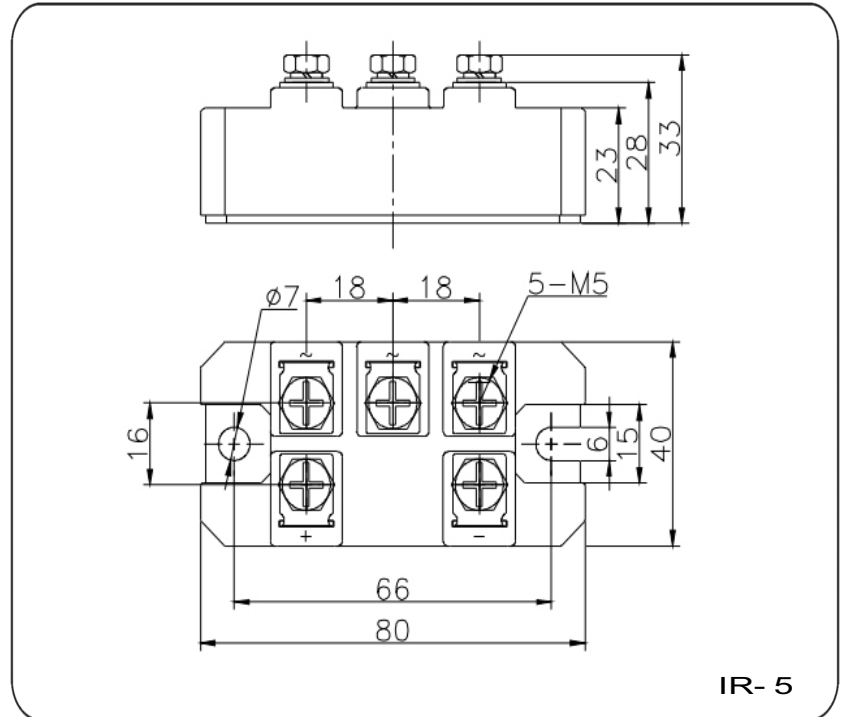


Fig.6

CIRCUIT DIAGRAM



PACKAGE OUTLINE



All dimensions are in mm.

Insel Rectifiers (India) Pvt. Ltd.

(An ISO 9001:2015, ISO 14001:2015 Certified Company)

Plot No 151, Udyog Kendra, Extn.-II, Ecotech-III, Greater Noida-201306

Toll Free No.: 1800 3070 9989, Fax : 011-27491404

E-mail : insel@rectifierindia.com, sales@rectifierindia.com