

4850, 3-pole, Socket, PCB terminals, DIN Plug/Socket



Approvals and Compliances

Description

- PCB Mounting :
Screw-on mounting , from rear-side
- DIN Plug: 3-pole , straight

Technical Data

| | | | |
|-----------------------|------------------|---------------------------------|---------------------------------|
| Diameter | 9.0 mm | Allowable Operation Temperature | -20°C to 70°C |
| Number of Poles | 3-pole | Terminal | PCB terminals silver plated |
| Ratings DC | 1 A / 12VDC | Mounting | Screw-on mounting max. 2.0mm |
| Ratings AC | 1 A / 100VAC | Lifetime | 5000Insertions |
| Dielectric Strength | 250VAC | | |
| Insulation Resistance | > 50 MΩ @ 250VDC | | |

Approvals and Compliances

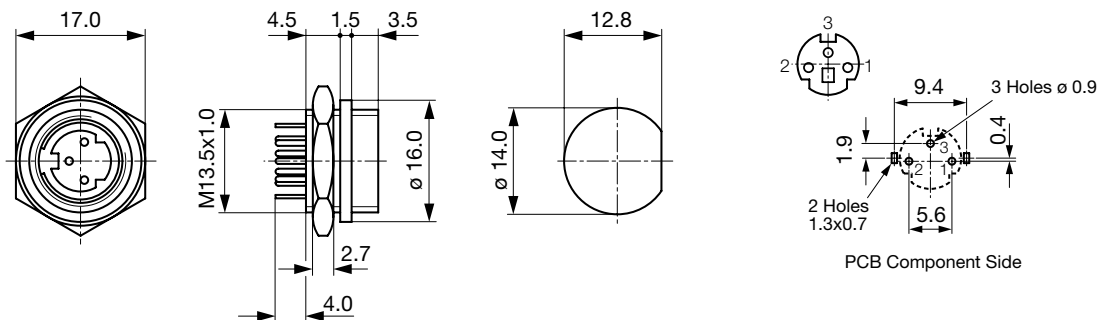
Detailed information on product approvals, code requirements, usage instructions and detailed test conditions can be looked up in [Details about Approvals](#)

Compliances

The product complies with following Guide Lines

| Identification | Details | Initiator | Description |
|----------------|------------|-------------|---|
| | RoHS | SCHURTER AG | EU Directive RoHS 2011/65/EU |
| | China RoHS | SCHURTER AG | The law SJ / T 11363-2006 (China RoHS) has been in force since 1 March 2007. It is similar to the EU directive RoHS. |
| | REACH | SCHURTER AG | On 1 June 2007, Regulation (EC) No 1907/2006 on the Registration, Evaluation, Authorization and Restriction of Chemicals 1 (abbreviated as "REACH") entered into force. |

Dimensions [mm]



All Variants

| Product group | Diameter [mm] | Number of Poles | Terminal | Order Number |
|-----------------|---------------|-----------------|---------------|--------------|
| DIN Plug/Socket | 9.0 | 3-pole | PCB terminals | 4850.2300 |

Availability for all products can be searched real-time: <https://www.schurter.com/en/Stock-Check/Stock-Check-SCHURTER>

Packaging unit 250 Pcs

Mating Inlets/Plugs

Category / Description



[DIN Plug/Socket Overview complete](#)

4850, 3-pole, Plug, solder terminal, DIN Plug/Socket

4850.1310

[DIN Plug/Socket further types to 4850.2300](#)