

---

**SAW Filter 1960MHz**  
**Part No: MA08686**

**Model: TA0175H**  
**Rev No: 2**

---

**A1. MAXIMUM RATING:**

1. Input Power Level: 10dBm
2. DC voltage: 3V
3. Operating Temperature: 25°C
4. Storage Temperature: -40°C to +85°C

**B1. ELECTRICAL CHARACTERISTICS:**

Item	Min.	Typ.	Max.
Center frequency Fc (MHz)	-	1960	-
Insertion loss (1930 ~ 1990MHz) IL (dB)	-	2.35	4
Amplitude ripple (1930 ~ 1990MHz) (dB)	-	1.4	2.4
Attenuation (Reference level from 0dB)			
DC ~ 1850MHz (dB)	20	32	-
1850 ~ 1910MHz (dB)	10	21	-
2010 ~ 2040MHz (dB)	4.5	10	-
2040 ~ 2070MHz (dB)	20	50	-
2070 ~ 5000MHz (dB)	22	29	-
Input/Output VSWR (1930 ~ 1990MHz)	-	1.7	2.05
Source impedance Z <sub>S</sub> (Ω)	-	50	-
Load impedance Z <sub>L</sub> (Ω)	-	50	-

**SAW Filter 1960MHz**  
**Part No: MA08686**

**Model: TA0175H**  
**Rev No: 2**

**A2. MAXIMUM RATING:**

1. Input Power Level: 10dBm
2. DC voltage: 3V
3. Operating Temperature: -30°C to +80°C
4. Storage Temperature: -40°C to +85°C

**B2. ELECTRICAL CHARACTERISTICS:**

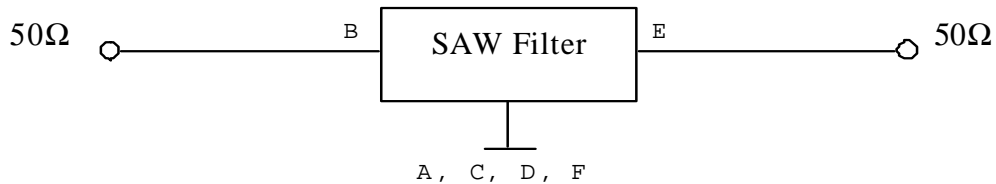
Item	Min.	Typ.	Max.
Center frequency Fc (MHz)	-	1960	-
Insertion loss (1930 ~ 1990MHz) IL (dB)	-	2.35	4
Amplitude ripple (1930 ~ 1990MHz) (dB)	-	1.4	2.4
Attenuation (Reference level from 0dB)			
DC ~ 1850MHz (dB)	20	32	-
1850 ~ 1910MHz (dB)	10	21	-
2010 ~ 2040MHz (dB)	4.5	10	-
2040 ~ 2070MHz (dB)	20	50	-
2070 ~ 5000MHz (dB)	22	29	-
Input/Output VSWR (1930 ~ 1990MHz)	-	1.7	2.2
Source impedance Z <sub>S</sub> (Ω)	-	50	-
Load impedance Z <sub>L</sub> (Ω)	-	50	-

**SAW Filter 1960MHz**  
**Part No: MA08686**

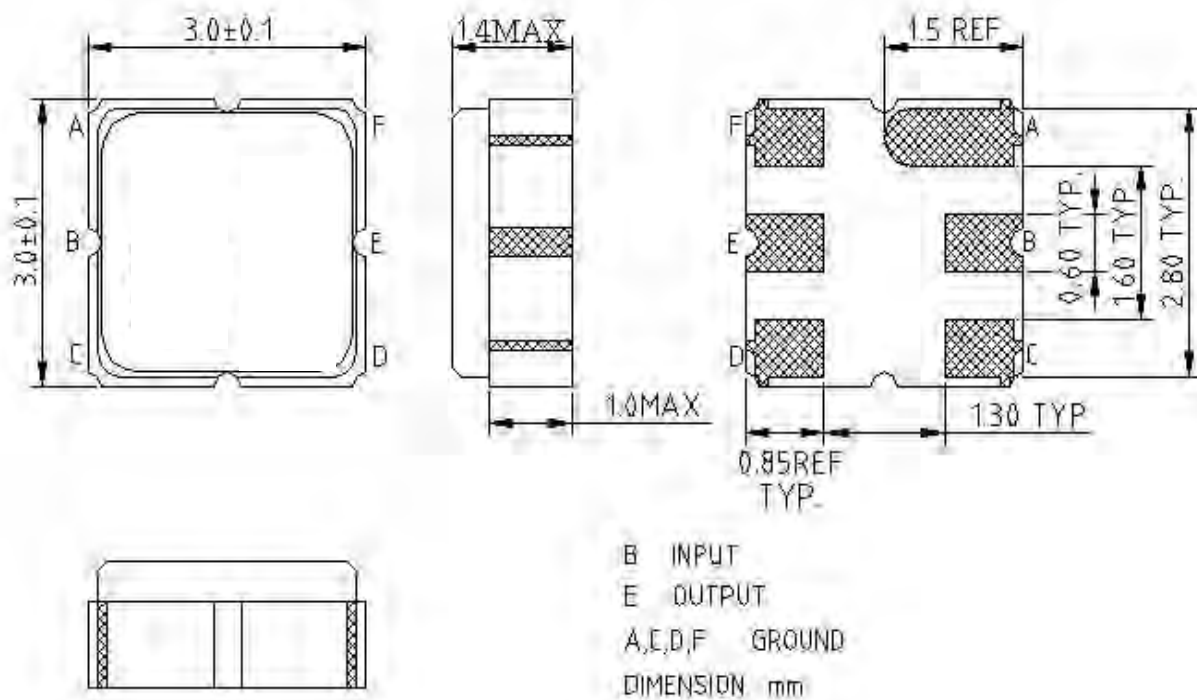
**Model: TA0175H**  
**Rev No: 2**

**C. MEASUREMENT CIRCUIT:**

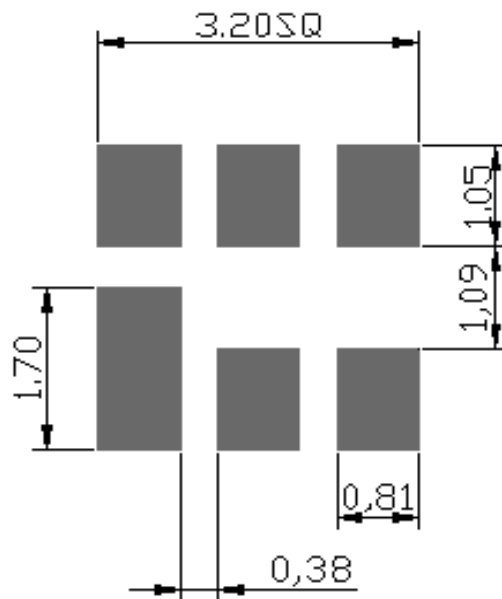
HP Network analyzer



**D. OUTLINE DRAWING:**



**E. PCB FOOTPRINT:**

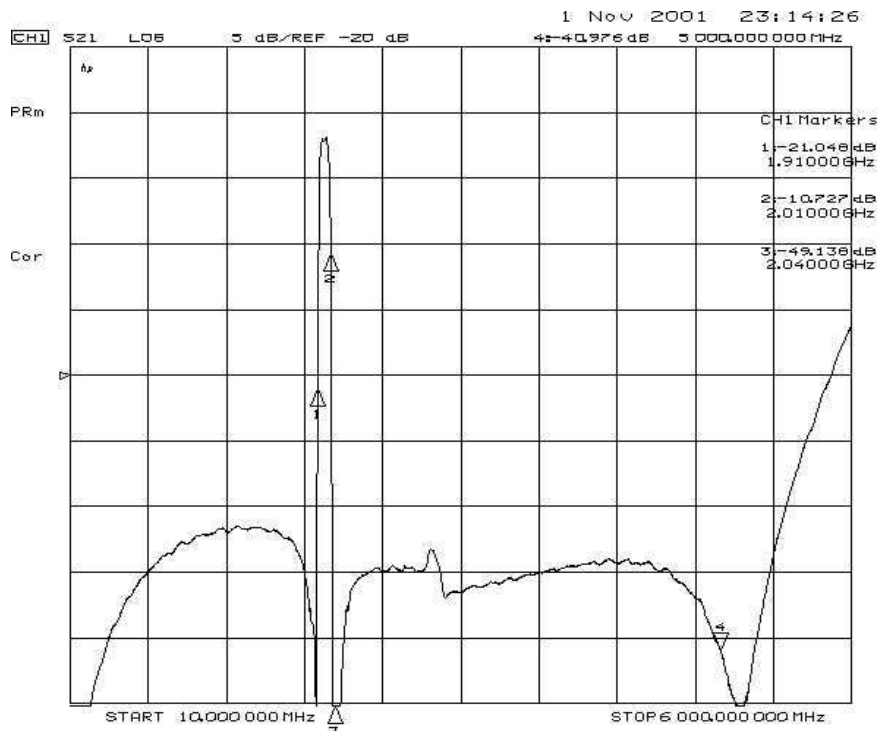
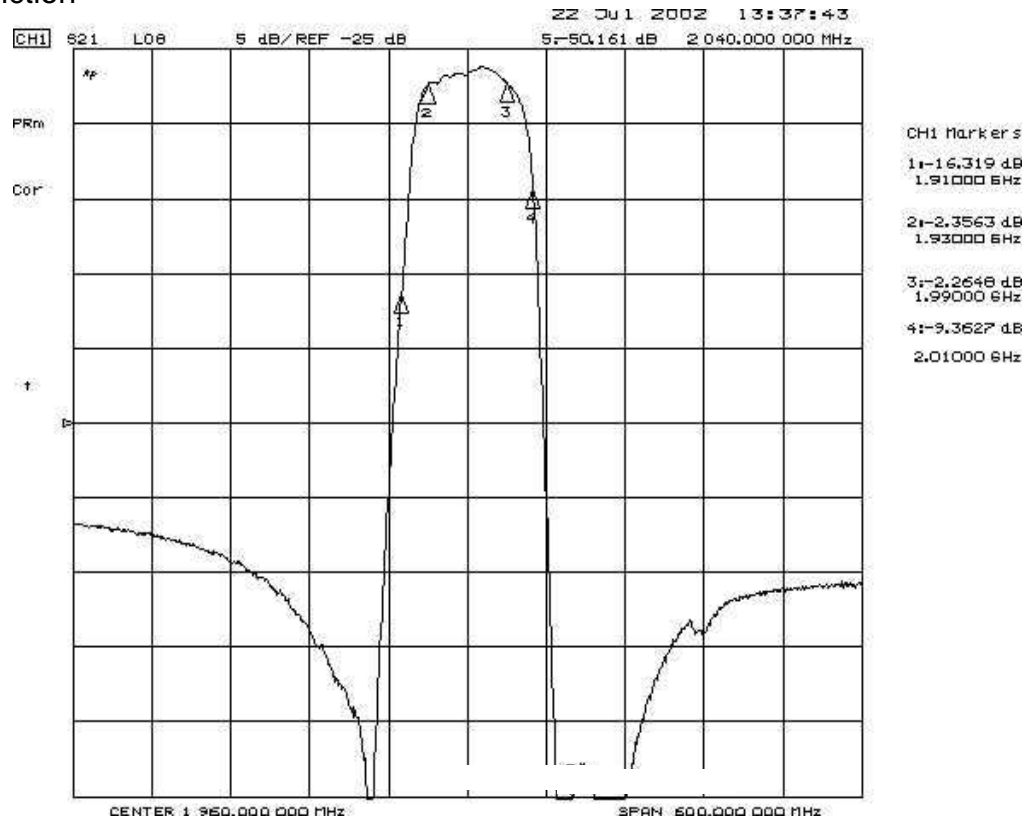


**SAW Filter 1960MHz**  
**Part No: MA08686**

**Model: TA0175H**  
**Rev No: 2**

**F. FREQUENCY CHARACTERISTICS:**

Transfer function

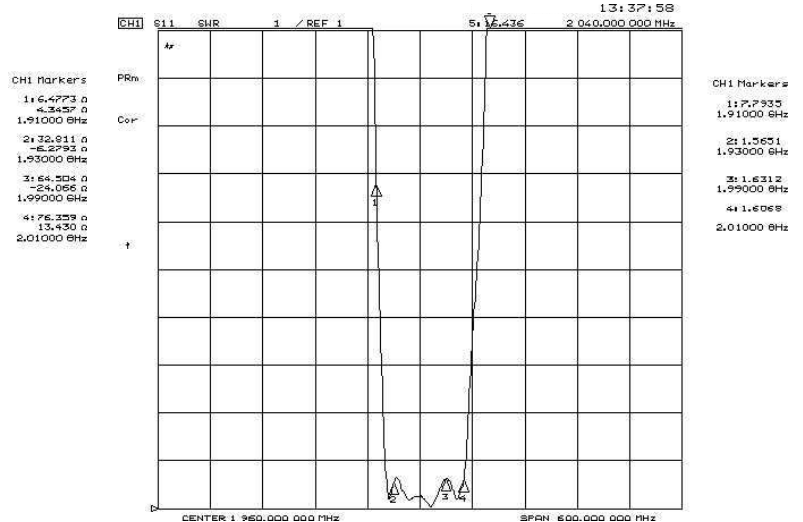
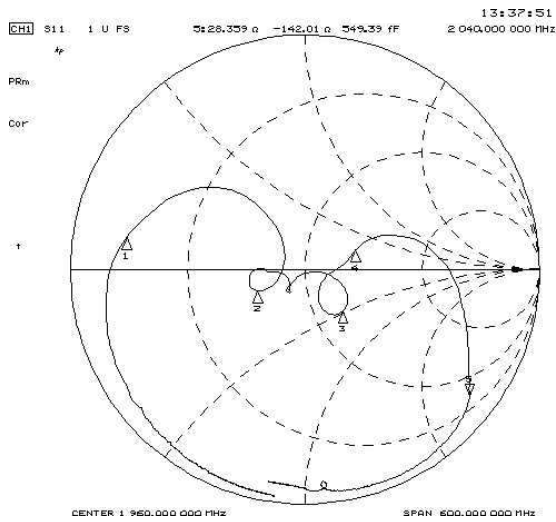


**SAW Filter 1960MHz**  
**Part No: MA08686**

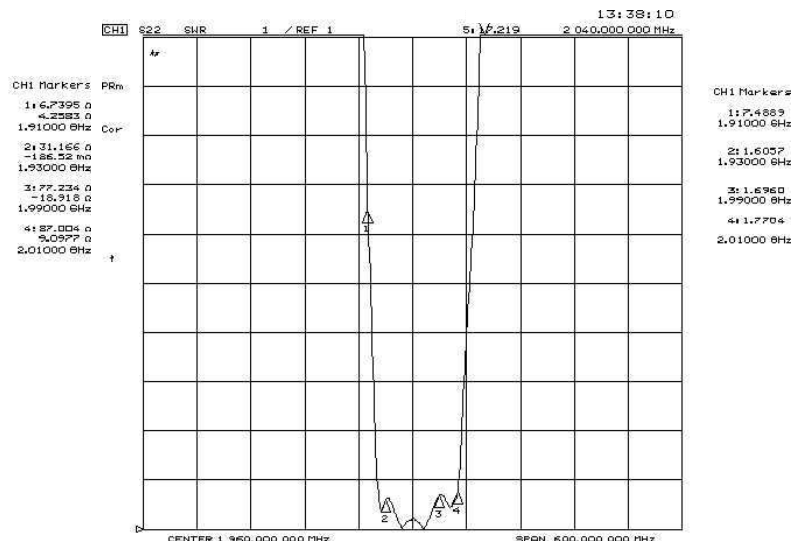
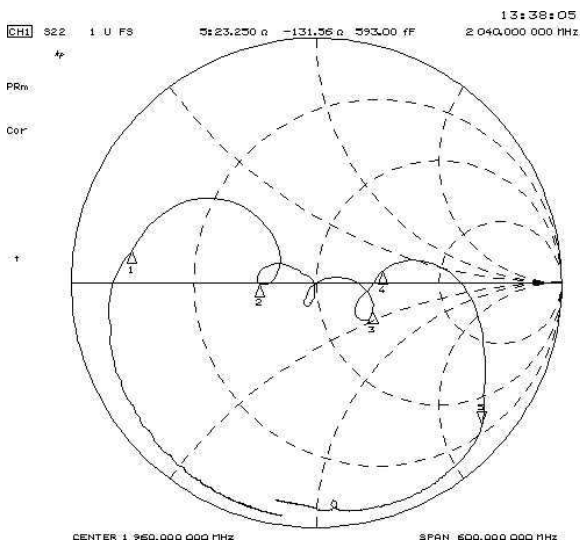
**Model: TA0175H**  
**Rev No: 2**

Reflections Functions

S11



S22

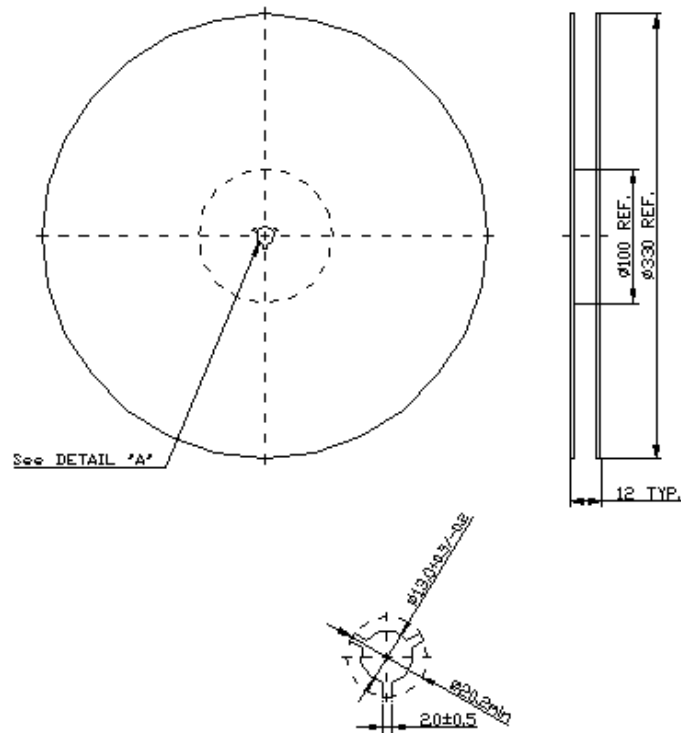


**SAW Filter 1960MHz**  
**Part No: MA08686**

**Model: TA0175H**  
**Rev No: 2**

**G. PACKING:**

**1. REEL DIMENSION**



**2. TAPE DIMENSION**

