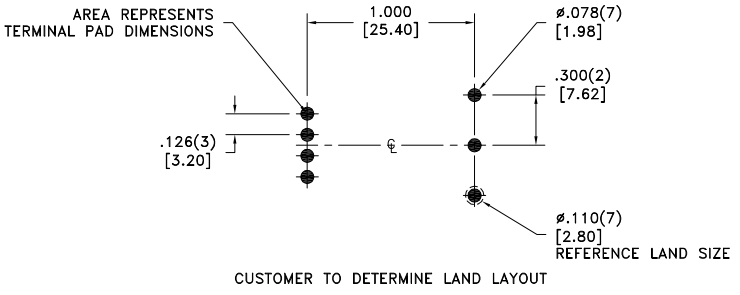
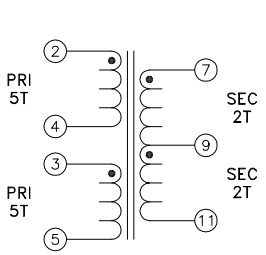
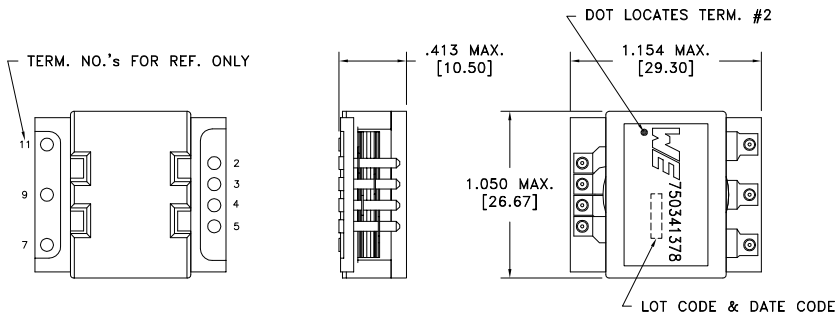


CUSTOMER TERMINAL	RoHS	LEAD(Pb)-FREE
Sn96%, Ag4%	Yes	Yes

more than you expect



**ELECTRICAL SPECIFICATIONS @ 25°C unless otherwise noted:**

PARAMETER	TEST CONDITIONS	VALUE
D.C. RESISTANCE	2-4 @20°C	6.0 mOhms max.
D.C. RESISTANCE	3-5 @20°C	6.0 mOhms max.
D.C. RESISTANCE	7-11 @20°C	3.5 mOhms max.
INDUCTANCE	2-5 tie(3+4), 100kHz, 100mVAC, Ls	480.0uH min.
LEAKAGE INDUCTANCE	2-5 tie(3+4, 7+11), 100kHz, 100mVAC, Ls	600nH max.
DIELECTRIC	2-7 tie(3+4), 1500VDC, 1 second	-
TURNS RATIO	(2-4):(3-5)	1:1, ±1%
TURNS RATIO	(2-4):(7-11)	1.25:1, ±1%

**GENERAL SPECIFICATIONS:**

OPERATING TEMPERATURE RANGE: -40°C to +125°C including temp rise.

Wire insulation & RoHS status not affected by wire color.  
Wire insulation color may vary depending on availability.

REV.	DATE	Packaging Specifications Method: <b>Tape &amp; Reel</b> PKG-0793 www.we-online.com/midcom		Tolerances unless otherwise specified: Angles: ±1° Fractions: ±1/64 Decimals: ±.005 [.13] Footprint: ±.005 [.13]	DRAWING TITLE <b>TRANSFORMER</b>	PART NO. <b>750341378</b>
6A	4/13	SEE REVISION SHEET FOR REVISION LEVEL		This drawing is dual dimensioned. Dimensions in brackets are in millimeters.	eiSos p/n: 750341378	SPECIFICATION SHEET 1 OF 1