

4

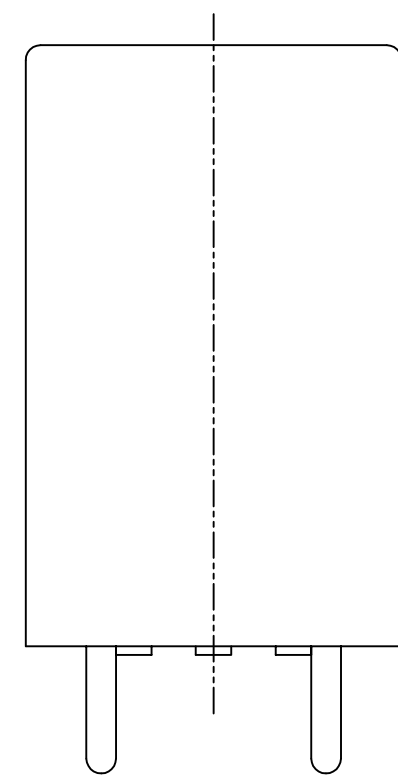
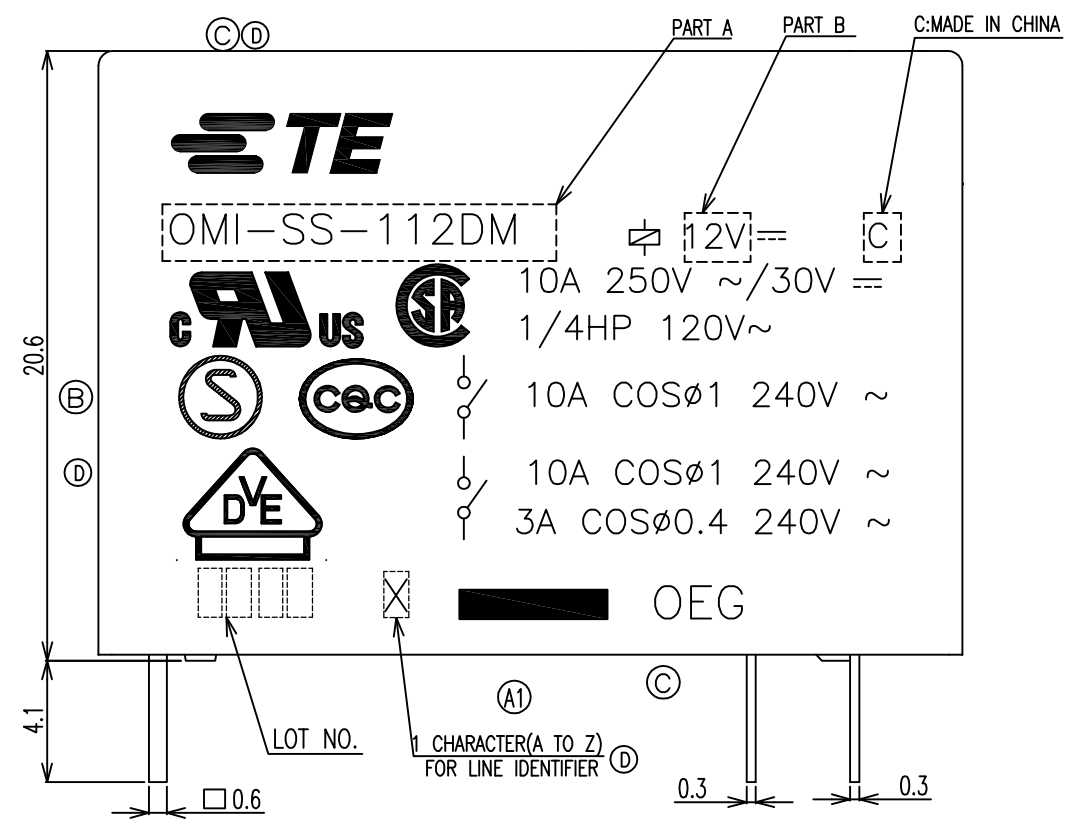
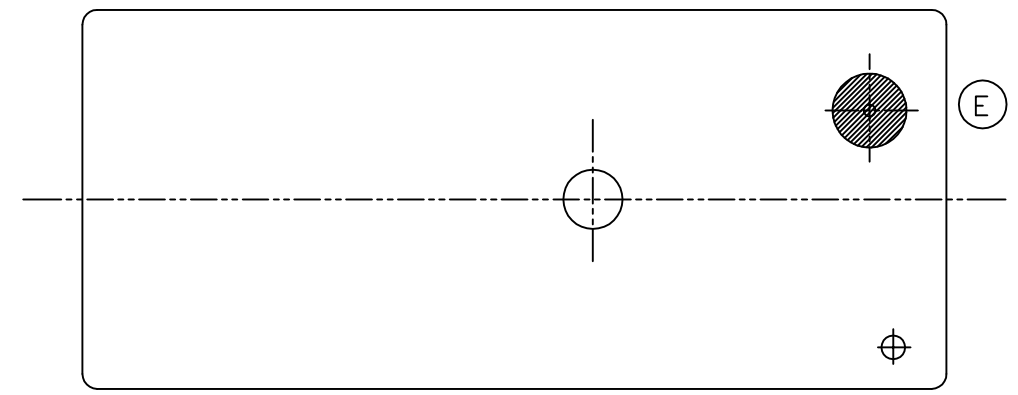
3

2

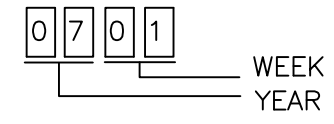
1

THIS DRAWING IS UNPUBLISHED. RELEASED FOR PUBLICATION  
 © COPYRIGHT - By - ALL RIGHTS RESERVED.

LOC	DIST	REVISIONS					
		P	LTR	DESCRIPTION	DATE	DWN	APVD
HB	-						
		D		CHANGE LOGO, VENT HOLE; ADD CQC, LINE IDENTIFIER AND PLATING THICKNESS ECO-12-005725	21-AUG-12	D.L	BH.Y
		E		CHANGE THE VENT HOLE SHAPE FROM RECTANGLE TO CIRCLE ONE ECO-13-015347	16-DEC-13	XL,Y	B,F



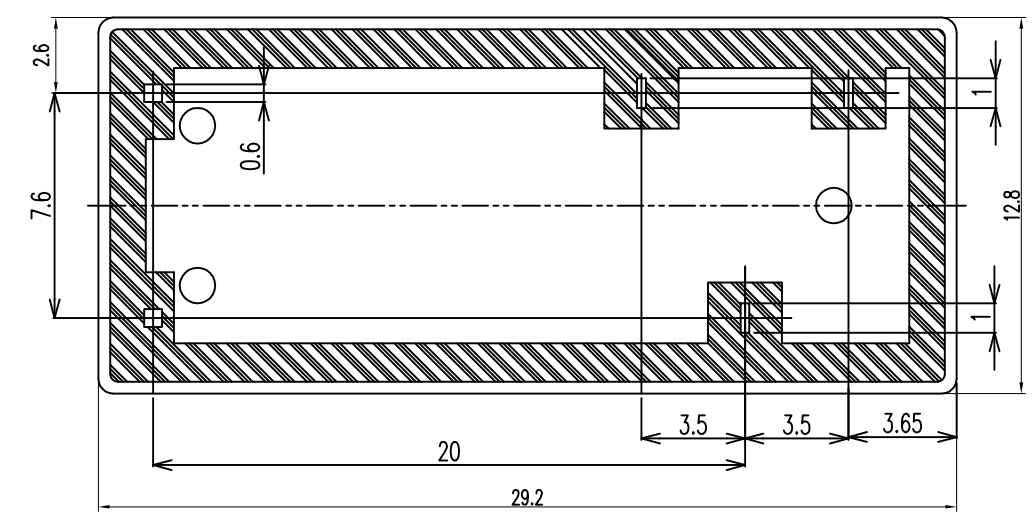
NOTES:  
 1.-SS- : PLASTIC SEALD TYPE  
 2.LOT NO. SYSTEM AS FOLLOWING:



3.GENERAL TOLERANCE AS FOLLOWING:

TOLERANCE	
0~0.99mm	±0.1
1mm~2.99mm	±0.2
3mmMIN.	±0.3

4.TERMINAL DIMENSION IS NOT INCLUDING SOLDER TIP.  
 FOR THE TIN-PLATING OF THE PINS:  
 +0.1mm FOR WIDTH,THICKNESS AND DIAMETER.  
 +0.5mm FOR LENGTH.



THIS DRAWING IS A CONTROLLED DOCUMENT.		DWN H.SASAKI		TE Connectivity	
DIMENSIONS: mm		CHK Y.OIKAWA			
TOLERANCES UNLESS OTHERWISE SPECIFIED:		APVD A.NAGAI		NAME	
0 PLC ± - 1 PLC ± - 2 PLC ± - 3 PLC ± - 4 PLC ± - ANGLES ± -		PRODUCT SPEC -		OMI-SS-D/LM CUSTOMER DRAWING	
MATERIAL -		FINISH -		APPLICATION SPEC -	
		WEIGHT -		RESTRICTED TO -	
CUSTOMER DRAWING				SIZE A3	CAGE CODE 00779
				DRAWING NO. C-8-1419144-1	
				SCALE 4:1	SHEET 1 of 2
				REV E	

4

3

2

1

THIS DRAWING IS UNPUBLISHED.

RELEASED FOR PUBLICATION

---

ALL RIGHTS RESERVED.

© COPYRIGHT - By -

LOC  
HB

DIST  
-

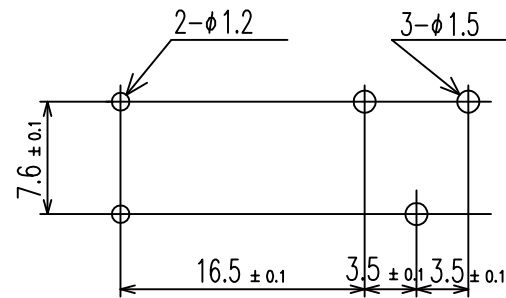
REVISIONS

P	LTR	DESCRIPTION	DATE	DWN	APVD

CONNECTION DIAGRAM  
(BOTTOM VIEW)



DRILLING DIAGRAM(2/1)  
(BOTTOM VIEW)



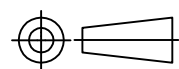
Ⓐ1	6-1419122-6	OMI-SS-148LM	48V	OMI-SS-148LM	⓪1
Ⓐ1	6-1419122-2	OMI-SS-124LM	24V	OMI-SS-124LM	⓪1
Ⓐ1	5-1419122-9	OMI-SS-124DM	24V	OMI-SS-124DM	⓪1
	5-1419122-6	OMI-SS-112LM	12V	OMI-SS-112LM	⓪1
	5-1419122-2	OMI-SS-112DM	12V	OMI-SS-112DM	⓪1
	4-1419122-9	OMI-SS-106LM	6V	OMI-SS-106LM	⓪1
	4-1419122-7	OMI-SS-105LM	5V	OMI-SS-105LM	⓪1
	8-1419144-1	OMI-SS-105DM	5V	OMI-SS-105DM	
	PART NO	TE TYPE NAME	PART B	PART A	

RELAY TYPE

INCOMBUSTIBILITY	TREATMENT	MATERIAL	DESCRIPTION	ITEM
		EPOXY RESIN	RESIN	17
		PBT	CASE	16
		-	TAPE	15
		UEW	MAGNETIC WIRE	14
		PET	BASE	13
		PBT	BOBBIN	12
	SOLDER DIP	CP WIRE	COIL TERMINAL	11
		PPS	CARD	10
		Ag ALLOY	MOVABLE CONTACT	9
		Ag ALLOY	STATIONARY CONTACT	8
		Cu ALLOY	HINGE SPRING	7
	SOLDER DIP	Cu ALLOY	B TERMINAL	6
	SOLDER DIP	Cu ALLOY	M TERMINAL	5
	SOLDER DIP	Cu ALLOY	MOVABLE SPRING	4
		STEEL	CORE	3
		STEEL	ARMATURE	2
		STEEL	YOKE	1

THIS DRAWING IS A CONTROLLED DOCUMENT.

DIMENSIONS:  
mm



TOLERANCES UNLESS OTHERWISE SPECIFIED:

0 PLC	± -
1 PLC	± -
2 PLC	± -
3 PLC	± -
4 PLC	± -
ANGLES	± -

MATERIAL

FINISH

DWN  
H.SASAKI

CHK  
Y.OIKAWA

APVD  
A.NAGAI

PRODUCT SPEC

APPLICATION SPEC

WEIGHT

CUSTOMER DRAWING



TE Connectivity

NAME  
OMI-SS-D/LM CUSTOMER DRAWING

SIZE	CAGE CODE	DRAWING NO	RESTRICTED TO
A3	00779	C-8-1419144-1	-

SCALE 4:1 SHEET 2 OF 2 REV E