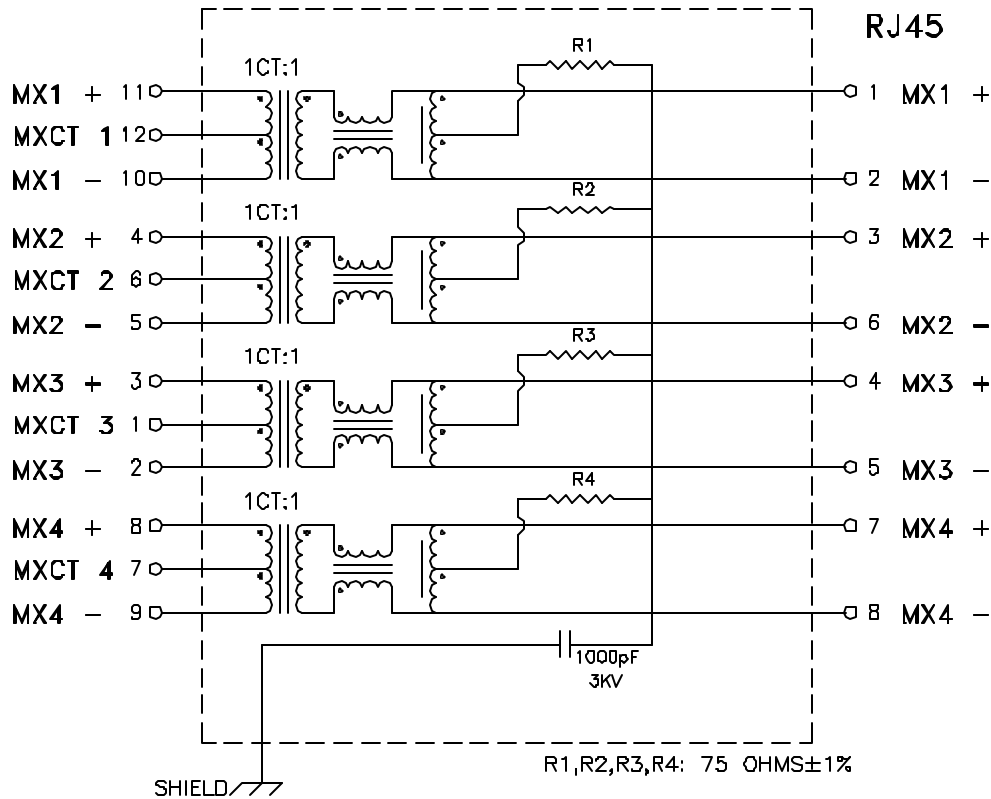


Schematic:



Electrical Specifications: @25°C

Isolation Voltage: 1500 Vrms @60Hz 1MIN

Common Mode Rejection: @1-50MHz -30dB Typ

@50-130MHz -20dB Typ

Crosstalk: @1-10MHz -40dB Typ

@30-60MHz -35dB Typ

@60-100MHz -30dB Typ

Insertion Loss (1-100MHz): -1.0dB Typ

Return Loss: @1-10MHz -20dB Typ

@30MHz -16dB Typ

@60-80MHz -12dB Typ

Notes:

1. Solderability: Leads shall meet MIL-STD-202G, Method 208H for solderability.
2. Flammability: UL94V-0
3. ASTM oxygen index: > 28%
4. Insulation System: Class F 155°C. UL file E151556
5. Operating Temperature Range: All listed parameters are to be within tolerance from -40°C to +85°C
6. Storage Temperature Range: -55°C to +125°C
7. Aqueous wash compatible
8. Electrical and mechanical specifications 100% tested
9. RoHS Compliant Component

DOC REV: A/9

XFMRs Inc.
www.XFMRs.com

Title: SINGLE PORT COMBO

UNLESS OTHERWISE SPECIFIED
TOLERANCES:
.xxx ±0.010
Dimensions in Inch
SHEET 1 OF 2

P/N: XFGIG12-CT1-4L

REV. A

DWN.

Juan Mao

Dec-08-06

CHK.

YK Liao

Dec-08-06

APP.

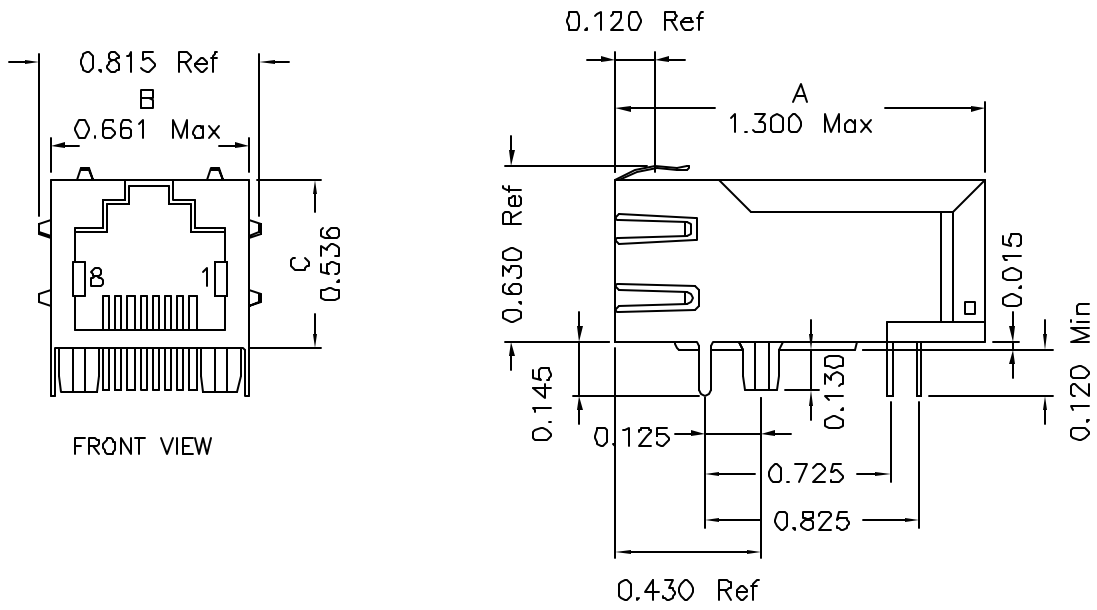
MS

Dec-08-06

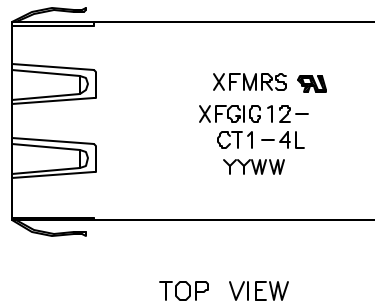
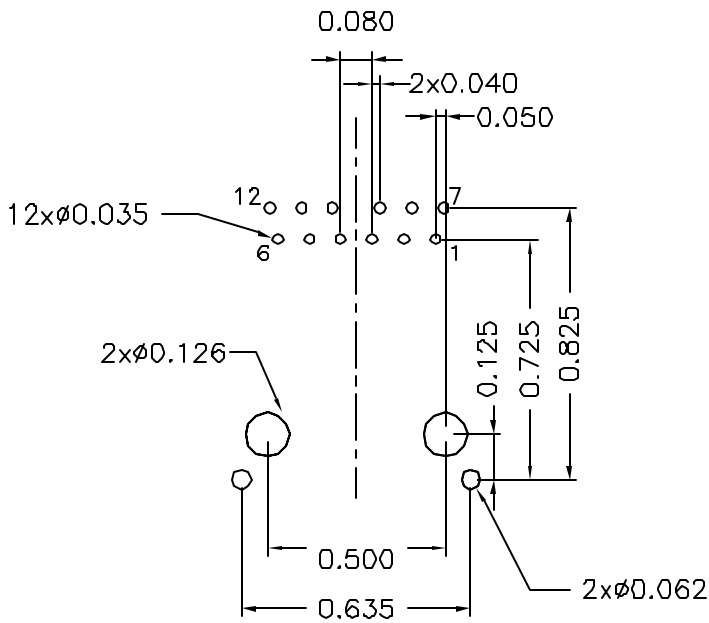
PROPRIETARY:

Document is the property of XFMRs Group & is not allowed to be duplicated without authorization.

Mechanical Dimensions:



Mounting Pattern:



DOC REV: A/9

XFMRS Inc. www.XFMRS.com	Title: Mechanical Dimensions For TAB UB RJ45 COMBO		
	UNLESS OTHERWISE SPECIFIED TOLERANCES: .xxx ±0.010 Dimensions in Inch	P/N: XFGIG12-CT1-4L	REV. A
	DWN.	Juan Mao	Dec-08-06
	CHK.	YK Liao	Dec-08-06
SHEET 2 OF 2	APP.	MS	Dec-08-06

PROPRIETARY:

Document is the property of XFMRS Group & is not allowed to be duplicated without authorization.